



SIRIUS POSITION SWITCH; PLASTIC HOUSING ACC. TO EN50047, 31MM 1NO/1NC SNAP-ACTION CONTACTS INTEGRATED (NOT REPLACEABLE) W. M12 CONNECTOR, 4-POLE PIN ASSIGNMENT: PIN1=21, PIN2=22, PIN3=13, PIN4=14, FOR MAX.250V AND 4A WITH TEFLON PLUNGER

<b>Product designation</b>	standard position switch
<b>Manufacturer article number</b>	
<ul style="list-style-type: none"> <li>of the supplied basic switch</li> </ul>	<a href="#">3SE5234-0HC05-1AC4</a>
<b>General technical data:</b>	
<b>Product function</b>	
<ul style="list-style-type: none"> <li>positive opening</li> </ul>	Yes
<b>Insulation voltage</b>	
<ul style="list-style-type: none"> <li>Rated value</li> </ul>	250 V
<b>Degree of pollution</b>	class 3
<b>Vibration resistance</b>	
<ul style="list-style-type: none"> <li>acc. to IEC 60068-2-6</li> </ul>	0.35 mm/5g
<b>Surge voltage resistance Rated value</b>	2.5 kV
<b>Mechanical service life (switching cycles)</b>	
<ul style="list-style-type: none"> <li>typical</li> </ul>	15 000 000
<b>Electrical endurance (switching cycles)</b>	
<ul style="list-style-type: none"> <li>at AC-15 at 230 V typical</li> </ul>	100 000
<b>Electrical operating cycles in one hour with contactor 3RH11, 3RT1016, 3RT1017, 3RT1024, 3RT1025, 3RT1026</b>	6 000
<b>Thermal current</b>	4 A
<b>Material of the enclosure of the switch head</b>	plastic
<b>Protection class IP</b>	IP65
<b>Equipment marking</b>	
<ul style="list-style-type: none"> <li>acc. to DIN EN 61346-2</li> </ul>	B
<ul style="list-style-type: none"> <li>acc. to DIN EN 81346-2</li> </ul>	B

<b>Active principle</b>	mechanical
<b>Repeat accuracy</b>	0.05 mm
<b>Explosion protection category for dust</b>	none
<b>Explosion protection category for gas</b>	none
<b>Minimum actuating force in activation direction</b>	20 N

#### Enclosure:

<b>Design of the housing</b>	block, narrow
<b>Material of the enclosure</b>	plastic
<b>Coating of the enclosure</b>	Other types
<b>Design of the housing acc. to standard</b>	Yes

#### Drive Head:

<b>Design of the operating mechanism</b>	teflon plunger
<b>Standard-compliant actuator head</b>	EN 50047, design B
<b>Shape of the switch head</b>	rounded
<b>Design of the switching function</b>	positive opening, integrated

#### Connections/ Terminals:

<b>Type of electrical connection</b>	M12 plug, fixed
--------------------------------------	-----------------

#### Mechanical data:

<b>Cable entry type</b>	M12 plug
<b>Design of plug-in connection</b>	M12 plug, 4-pole: Pin 1 = terminal 21, Pin 2 = 22, Pin 3 = 13, Pin 4 = 14

#### Communication/ Protocol:

<b>Design of the interface</b>	without
--------------------------------	---------

#### Ambient conditions:

<b>Ambient temperature</b>	
• during operation	-25 ... +85 °C
• during storage	-40 ... +90 °C

#### Installation/ mounting/ dimensions:

<b>mounting position</b>	any
<b>Mounting type</b>	screw fixing

#### Certificates/ approvals:

General Product Approval	Functional Safety/Safety of Machinery	Declaration of Conformity
--------------------------	---------------------------------------	---------------------------



[Type Examination Certificate](#)



Test Certificates	other
-------------------	-------

[Special Test Certificate](#)

[Confirmation](#)

### Further information

#### Information- and Downloadcenter (Catalogs, Brochures,...)

<http://www.siemens.com/industrial-controls/catalogs>

#### Industry Mall (Online ordering system)

<http://www.siemens.com/industrymall>

#### Cax online generator

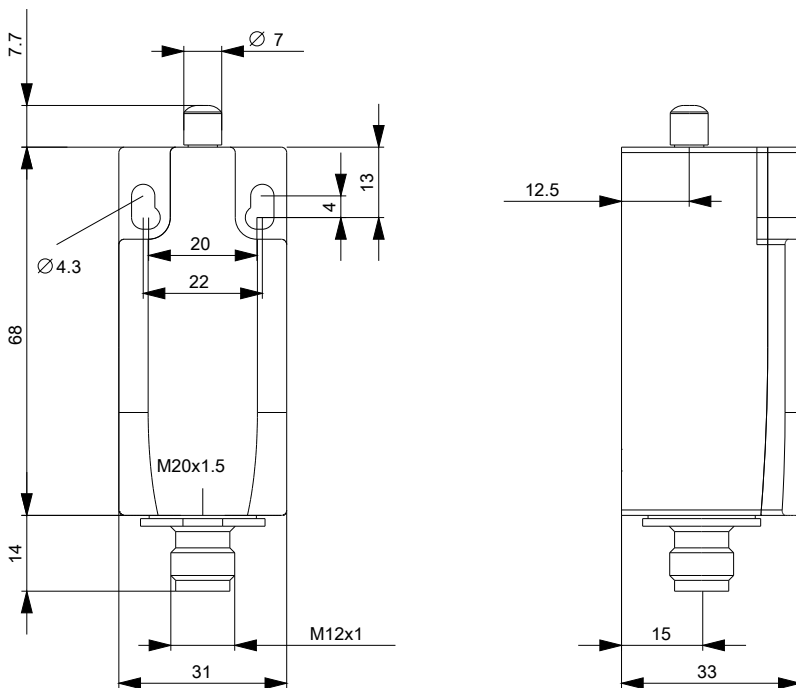
<http://support.automation.siemens.com/WW/CAXorder/default.aspx?lang=en&mlfb=3SE52340HC051AC4>

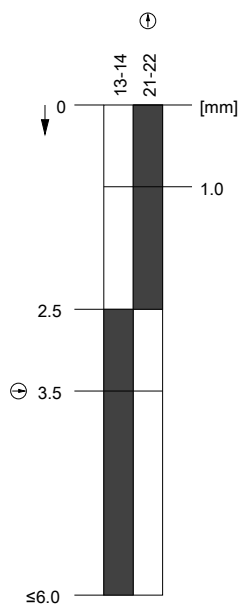
#### Service&Support (Manuals, Certificates, Characteristics, FAQs,...)

<https://support.industry.siemens.com/cs/ww/en/ps/3SE52340HC051AC4>

#### Image database (product images, 2D dimension drawings, 3D models, device circuit diagrams, EPLAN macros, ...)

[http://www.automation.siemens.com/bilddb/cax\\_de.aspx?mlfb=3SE52340HC051AC4&lang=en](http://www.automation.siemens.com/bilddb/cax_de.aspx?mlfb=3SE52340HC051AC4&lang=en)





last modified:

02.06.2015