



REMOTE SWITCH WITH 4 NO CONTACT FOR AC
230, 400V 16A CONTROL AC 230V

Model		
product brand name		SENTRON
Latching relay design		Mechanical switch
General technical data		
Electrical endurance (switching cycles)		50 000
Galvanic isolation / between magnet coil and contact		Yes
Switching voltage / of the contacts / with AC / minimum	V	10
Switching current / with AC / per contact / minimum	mA	100
Voltage		
Continuous voltage fuse version		PTC
Surge voltage resistance / Rated value	kV	4
Supply voltage		
• minimum	V	250
• maximum	V	400
Protection class		
Protection class IP		IP20, with connected conductors
Switching capacity		
Switching capacity apparent power		
• for fluorescent lamp load with DUO circuit	V·A	900
• for fluorescent lamp load with parallel compensation	V·A	400
• for uncompensated fluorescent lamp load	V·A	500
Switching capacity current		

• at cos phi 0.6	A	16
• Rated value	A	16
Switching capacity active power / with filament lamp load	W	2 000

Dissipation

• Apparent power loss / of the magnet coil / with pulse / Rated value	V·A	7
• Active power loss / of the magnet coil / with pulse / Rated value	W	4.5
• Active power loss / at 16 A / per contact / Rated value	W	1.2
Switching current / with glow lamp load / with 5TT4 920 compensating capacitor	mA	25
Switching current / with glow lamp load	mA	5

Control current

Type of voltage		
• of control voltage_1		AC
Control voltage		
• _1 / initial value	V	184
• _1 / Full-scale value	V	253
• _1 / setpoint	V	230
Control voltage frequency		
• _1 / initial value	Hz	50
• _1 / Full-scale value	Hz	50
Operating range factor control supply voltage rated value / with AC / at 50 Hz		
• initial value		0.8
• Full-scale value		1.1

Product details

Product component / Switch position indicator		Yes
---	--	-----

Product function

Product function / direct operation		Yes
-------------------------------------	--	-----

Number

Number of terminals		10
Number of NC contacts		0
Number of NO contacts		4
Number of CO contacts		0

Mechanical Design

Width of opening / of the contacts	mm	1.2
Mounting height	mm	90
mounting position		any

Installation depth	mm	70
Number of width units		2
Mounting type		DIN rail
Required spacing / for live parts	mm	6

Environmental conditions

Ambient temperature

• minimum	°C	-10
• maximum	°C	40
• with relative humidity 95% / acc. to DIN 50015	°C	35

Certificates

General Product Approval	Declaration of Conformity	Test Certificates
--------------------------	---------------------------	-------------------



[other](#)



[other](#)

Further information

Information- and Downloadcenter (Catalogs, Brochures,...)

<http://www.siemens.com/lowvoltage/catalogs>

Industry Mall (Online ordering system)

<https://eb.automation.siemens.com/mall/en/WW/Catalog/Product/5TT41040>

Service&Support (Manuals, Certificates, Characteristics, FAQs,...)

<http://support.automation.siemens.com/WW/view/en/5TT41040/all>

Image database (product images, 2D dimension drawings, 3D models, device circuit diagrams, ...)

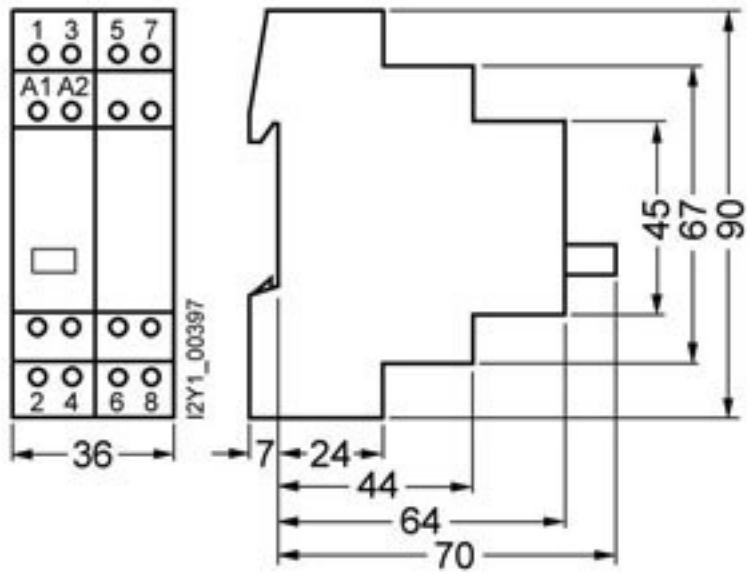
http://www.automation.siemens.com/bilddb/cax_en.aspx?mlfb=5TT41040

CAX-Online-Generator

<http://www.siemens.com/cax>

Tender specifications

<http://ausschreibungstexte.siemens.com/tiplv>



last modified:

05.05.2015