



SEPARATE ACTUATOR,
 UNIVERSAL RADIUS ACTUATOR FOR POS. W. TUMBLER
 3SE5312../3SE5322.. AND ASI 3SF13... AND POS. WITH
 SEPARATE ACTUATOR 3SE51../3SE52.. AND ASI
 3SF11../3SF21..

General technical details:		
product designation		actuator
Mechanical operating cycles as operating time		
<ul style="list-style-type: none"> • typical 		1,000,000
Resistance against vibration		0.35 mm / 5g
Resistance against shock		30g / 11 ms
Ambient temperature		
<ul style="list-style-type: none"> • during operating 	°C	-25 ... +85
<ul style="list-style-type: none"> • during storage 	°C	-40 ... +90
Design of the operating mechanism		universal actuator
mounting position		any
Item designation		
<ul style="list-style-type: none"> • according to DIN 40719 extendable after IEC 204-2 / according to IEC 750 		E
<ul style="list-style-type: none"> • according to DIN EN 61346-2 		T

Certificates/approvals:

General Product Approval

Declaration of
Conformity

Test Certificates



[Special Test Certificate](#)

other

[Confirmation](#)

Further information:

Information- and Downloadcenter (Catalogs, Brochures,...)

<http://www.siemens.com/industrial-controls/catalogs>

Industry Mall (Online ordering system)

<http://www.siemens.com/industrial-controls/mall>

CAx-Online-Generator

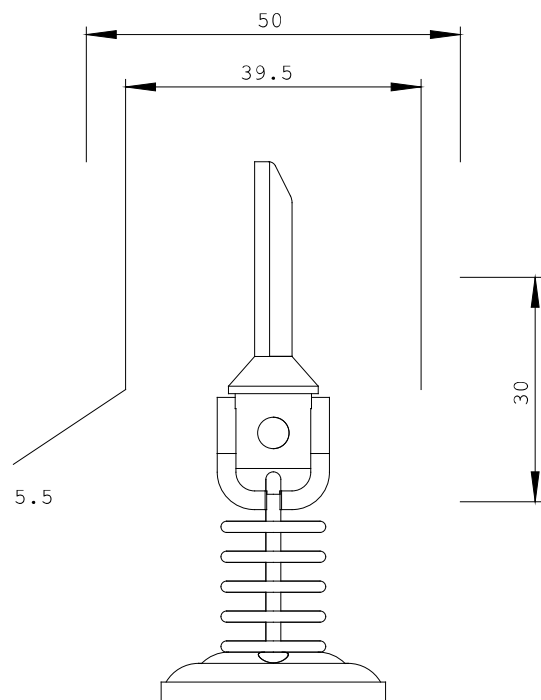
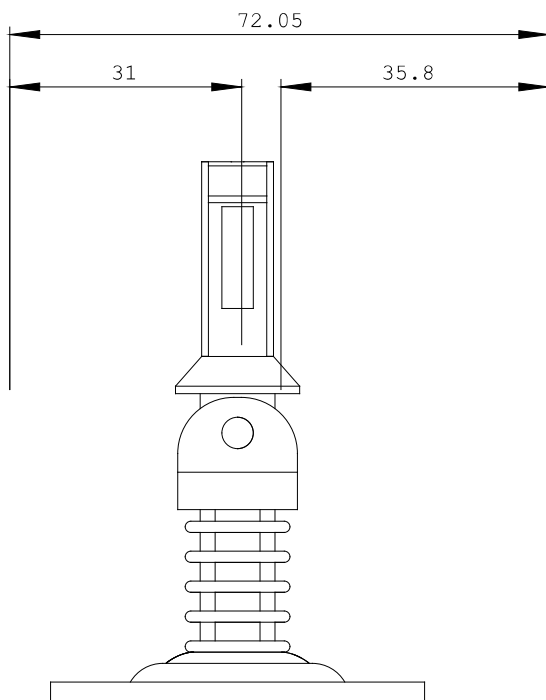
<http://www.siemens.com/cax>

Service&Support (Manuals, Certificates, Characteristics, FAQs,...)

<http://support.automation.siemens.com/WW/view/en/3SE5000-0AV05/all>

Image database (product images, 2D dimension drawings, 3D models, device circuit diagrams, ...)

http://www.automation.siemens.com/bilddb/cax_en.aspx?mlfb=3SE5000-0AV05



last change:

Jul 1, 2013