



SEPARATE ACTUATOR,  
RADIUS ACTUATOR LEFT FOR POS. W. TUMBLER  
3SE5312../3SE5322.. AND ASI 3SF13... AND POS. WITH  
SEPARATE ACTUATOR 3SE51../3SE52.. AND ASI  
3SF11../3SF21..

**General technical details:**

<b>product designation</b>		actuator
<b>Mechanical operating cycles as operating time</b>		
• typical		1,000,000
<b>Resistance against vibration</b>		0.35 mm / 5g
<b>Resistance against shock</b>		30g / 11 ms
<b>Ambient temperature</b>		
• during operating	°C	-25 ... +85
• during storage	°C	-40 ... +90
<b>Design of the operating mechanism</b>		radius actuator, left
<b>mounting position</b>		any
<b>Item designation</b>		
• according to DIN 40719 extendable after IEC 204-2 / according to IEC 750		E
• according to DIN EN 61346-2		T

**Certificates/approvals:**



Test Certificates

other

[Special Test Certificate](#)

[Confirmation](#)

Further information:

Information- and Downloadcenter (Catalogs, Brochures,...)

<http://www.siemens.com/industrial-controls/catalogs>

Industry Mall (Online ordering system)

<http://www.siemens.com/industrial-controls/mall>

CAX-Online-Generator

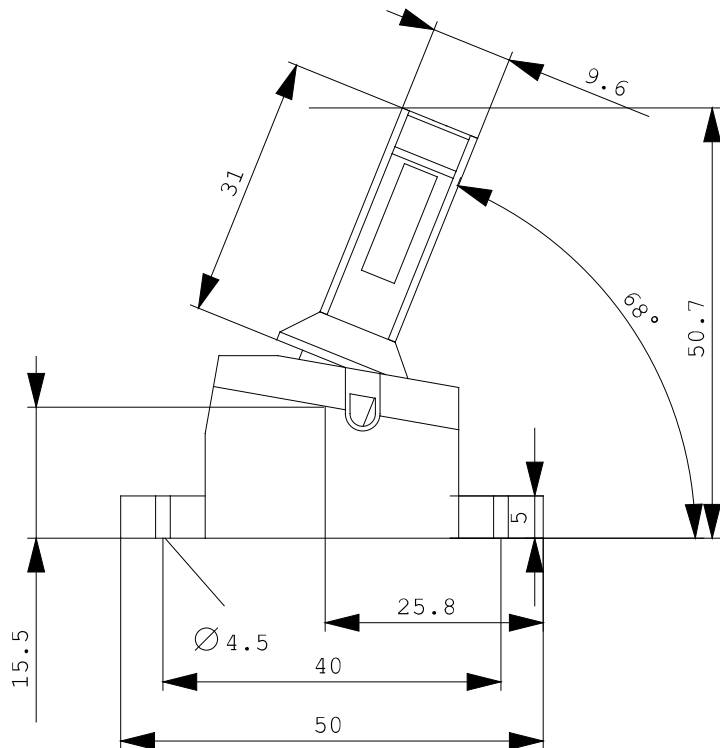
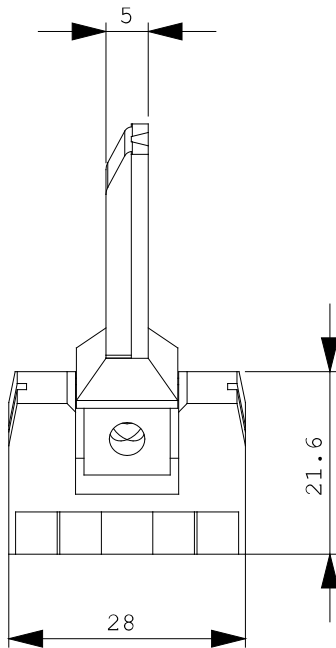
<http://www.siemens.com/cax>

Service&Support (Manuals, Certificates, Characteristics, FAQs,...)

<http://support.automation.siemens.com/WWW/view/en/3SE5000-0AV04/all>

Image database (product images, 2D dimension drawings, 3D models, device circuit diagrams, ...)

[http://www.automation.siemens.com/bilddb/cax\\_en.aspx?mlfb=3SE5000-0AV04](http://www.automation.siemens.com/bilddb/cax_en.aspx?mlfb=3SE5000-0AV04)



last change:

Jul 1, 2013