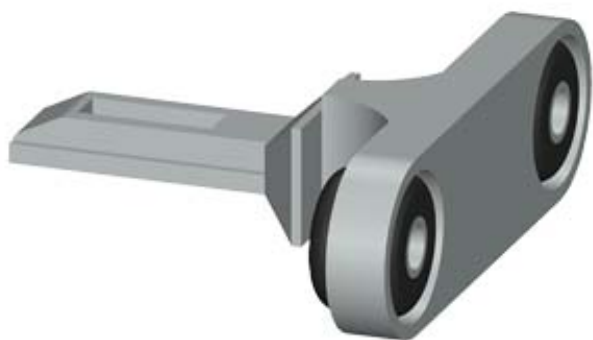


SEPARATE ACTUATOR HORIZONTAL MOUNTING FOR POS. W. TUMBLER 3SE5312../3SE5322.. AND ASI 3SF13... AND POS. WITH SEPARATE ACTUATOR 3SE51../3SE52.. AND ASI 3SF11../3SF21..



| General technical details:   |    |                               |
|--|----|-------------------------------|
| <b>product designation</b>   |    | actuator                      |
| <b>Mechanical operating cycles as operating time</b>   |    |                               |
| <ul style="list-style-type: none"> <li>• typical</li> </ul>  |    | 1,000,000                     |
| <b>Resistance against vibration</b>  |    | 0.35 mm / 5g                  |
| <b>Resistance against shock</b>  |    | 30g / 11 ms                   |
| <b>Ambient temperature</b>   |    |                               |
| <ul style="list-style-type: none"> <li>• during operating</li> </ul>   | °C | -25 ... +85                   |
| <ul style="list-style-type: none"> <li>• during storage</li> </ul>   | °C | -40 ... +90                   |
| <b>Design of the operating mechanism</b>   |    | actuator with vertical fixing |
| <b>mounting position</b>   |    | any                           |
| <b>Item designation</b>  |    |                               |
| <ul style="list-style-type: none"> <li>• according to DIN 40719 extendable after IEC 204-2 / according to IEC 750</li> </ul> |    | E                             |
| <ul style="list-style-type: none"> <li>• according to DIN EN 61346-2</li> </ul>  |    | T                             |

**Certificates/approvals:**



Test Certificates

other

[Special Test Certificate](#)

[Confirmation](#)

Further information:

Information- and Downloadcenter (Catalogs, Brochures,...)

<http://www.siemens.com/industrial-controls/catalogs>

Industry Mall (Online ordering system)

<http://www.siemens.com/industrial-controls/mall>

CAX-Online-Generator

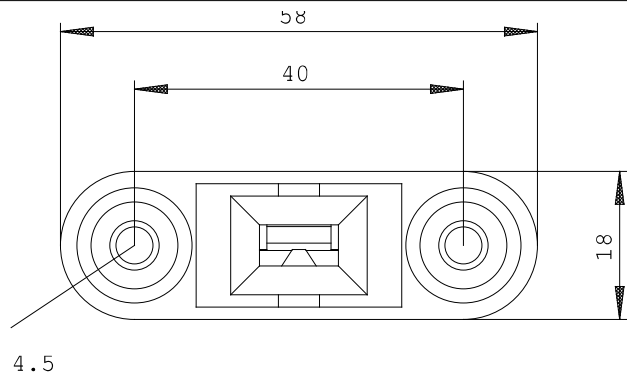
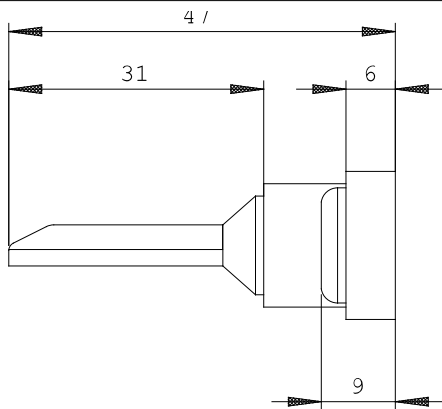
<http://www.siemens.com/cax>

Service&Support (Manuals, Certificates, Characteristics, FAQs,...)

<http://support.automation.siemens.com/WWW/view/en/3SE5000-0AV03/all>

Image database (product images, 2D dimension drawings, 3D models, device circuit diagrams, ...)

[http://www.automation.siemens.com/bilddb/cax\\_en.aspx?mlfb=3SE5000-0AV03](http://www.automation.siemens.com/bilddb/cax_en.aspx?mlfb=3SE5000-0AV03)



last change:

Jul 1, 2013