

SITOR FUSE LINKS 63A, AC 690V (DIN 43620, SIZE 00)



Model		
product brand name		SENTRON
Design of an identification indicator		front indicator
Design of the fuse link		SITOR, LV HRC design
General technical data		
Size of fuse system / acc. to DIN EN 60269-1		NH00
Operating class of the fuse link		gR
circuit-breaker / Design		3NE
Switching capacity		
Switching capacity current		
<ul style="list-style-type: none"> acc. to IEC 60947-2 / Rated value 	kA	100
Dissipation		
Active power loss		
<ul style="list-style-type: none"> for rated value of the current / with AC / in hot operating state / per pole 	W	16
Electricity		
rated current I_n / IEC, DIN/VDE		
<ul style="list-style-type: none"> at 40 Cel 	A	63

Current / with AC

- Rated value

A

63

Net weight

g

194

Appearance**Mechanical Design****mounting position**

Any, preferably vertical

Environmental conditions**Ambient temperature**

- minimum
- maximum

°C

-20

°C

50

Climate class

-20 to +50 at 95% relative humidity

Certificates**Reference code**

- acc. to DIN EN 61346-2
- acc. to DIN EN 81346-2

F

F

General Product Approval

CCC



GOST



UL



EG-Konf.

Further information**Information- and Downloadcenter (Catalogs, Brochures,...)**

<http://www.siemens.com/lowvoltage/catalogs>

Industry Mall (Online ordering system)

<https://eb.automation.siemens.com/mall/en/WW/Catalog/Product/3NE80181>

Service&Support (Manuals, Certificates, Characteristics, FAQs,...)

<http://support.automation.siemens.com/WW/view/en/3NE80181/all>

Image database (product images, 2D dimension drawings, 3D models, device circuit diagrams, ...)

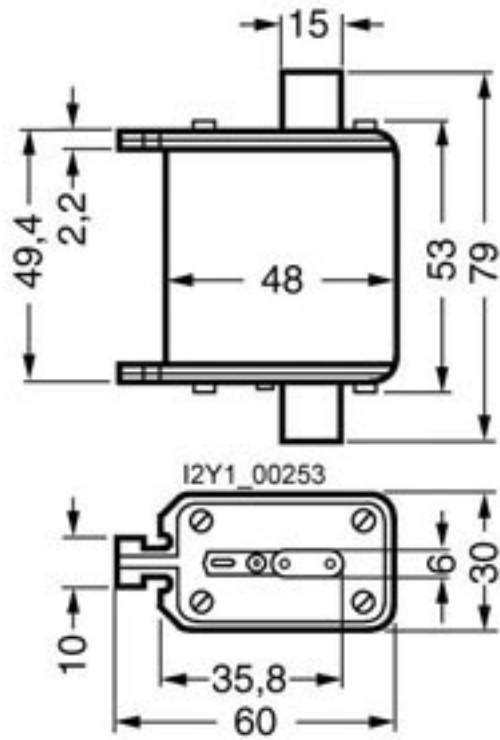
http://www.automation.siemens.com/bilddb/cax_en.aspx?mlfb=3NE80181

CAX-Online-Generator

<http://www.siemens.com/cax>

Tender specifications

<http://ausschreibungstexte.siemens.com/tiplv>



last modified:

21.10.2014