



ACTUATOR HEAD FOR POSITION SWITCH 3SE51/52
ROLLER LEVER W. STAINLESS STEEL LEVER AND
PLASTIC ROLLER 13MM

General technical data:		
Product designation		actuator head for position switch
Explosion protection category for dust		none
Mechanical service life (switching cycles)		
• typical		15,000,000
Vibration resistance		0.35 mm / 5g
Shock resistance		30g / 11 ms
Ambient temperature		
• during operation	°C	-25 ... +85
• during storage	°C	-40 ... +90
Material / of the enclosure		
• of the switch head		plastic
Design of the operating mechanism		Stainless steel lever, plastic roller
Minimum actuating force / in activation direction	N	10
mounting position		any
Reference code		
• acc. to DIN 40719 extended according to IEC 204-2 / acc. to IEC 750		E
• acc. to DIN EN 61346-2		T

Certificates/ approvals:

General Product Approval



Declaration of Conformity



Test Certificates

[Special Test Certificate](#)

other

[Confirmation](#)

[Vibration Test Certificates](#)

Further information:

Information- and Downloadcenter (Catalogs, Brochures,...)

<http://www.siemens.com/industrial-controls/catalogs>

Industry Mall (Online ordering system)

<http://www.siemens.com/industrial-controls/mall>

Cax online generator

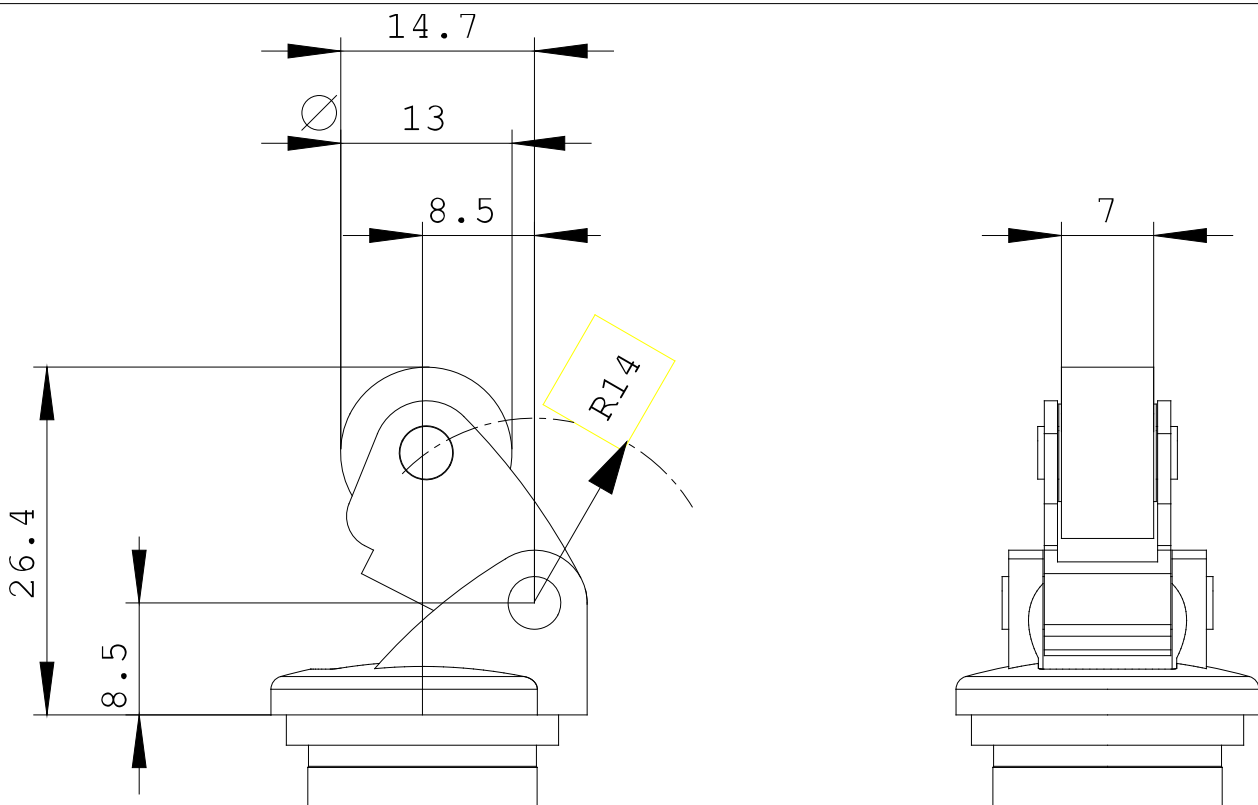
<http://www.siemens.com/cax>

Service&Support (Manuals, Certificates, Characteristics, FAQs,...)

<http://support.automation.siemens.com/WWW/view/en/3SE5000-0AE12/all>

Image database (product images, 2D dimension drawings, 3D models, device circuit diagrams, ...)

http://www.automation.siemens.com/bilddb/cax_en.aspx?mlfb=3SE5000-0AE12



last change:

Jun 16, 2014