



TWIST LEVER FOR POSITION SWITCH 3SE51 METAL LEVER,  
FORM A 27MM LONG,STEP 9MM,  
W. PLASTIC ROLLER 19MM

General technical data:		
<b>Product designation</b>		actuator for part-turn actuator
<b>Explosion protection category for dust</b>		none
<b>Mechanical service life (switching cycles)</b>		
• typical		15,000,000
<b>Vibration resistance</b>		0.35 mm / 5g
<b>Shock resistance</b>		30g / 11 ms
<b>Ambient temperature</b>		
• during operation	°C	-25 ... +85
• during storage	°C	-40 ... +90
<b>Design of the operating mechanism</b>		metal lever, 27 mm long, step 9 mm, plastic roller 19 mm
<b>mounting position</b>		any
<b>Reference code</b>		
• acc. to DIN 40719 extended according to IEC 204-2 / acc. to IEC 750		E
• acc. to DIN EN 61346-2		T

Certificates/ approvals:

General Product Approval



Declaration of  
Conformity



Test Certificates

[Special Test  
Certificate](#)

other

[Confirmation](#)

[Vibration Test  
Certificates](#)

Further information:

Information- and Downloadcenter (Catalogs, Brochures,...)

<http://www.siemens.com/industrial-controls/catalogs>

Industry Mall (Online ordering system)

<http://www.siemens.com/industrial-controls/mall>

Cax online generator

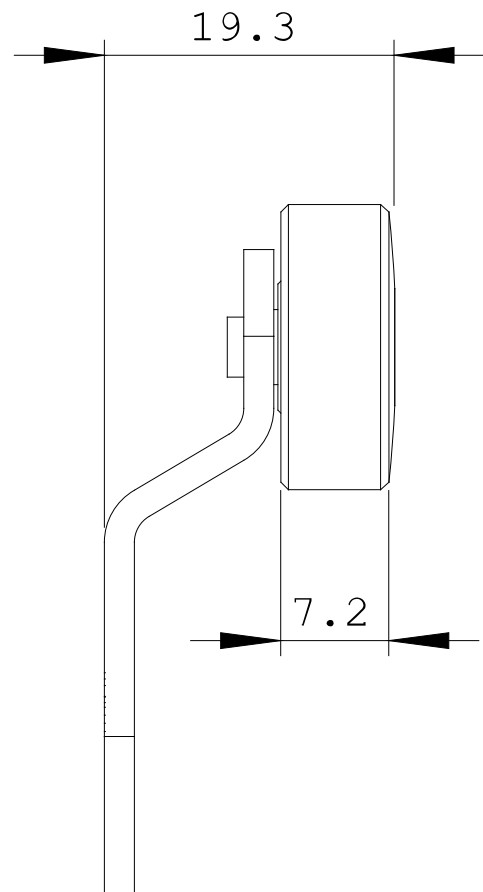
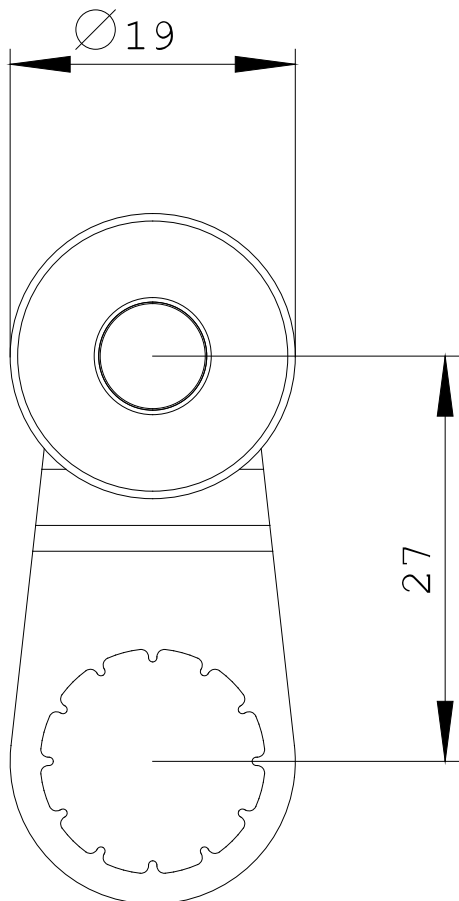
<http://www.siemens.com/cax>

Service&Support (Manuals, Certificates, Characteristics, FAQs,...)

<http://support.automation.siemens.com/WWW/view/en/3SE5000-0AA01/all>

Image database (product images, 2D dimension drawings, 3D models, device circuit diagrams, ...)

[http://www.automation.siemens.com/bilddb/cax\\_en.aspx?mlfb=3SE5000-0AA01](http://www.automation.siemens.com/bilddb/cax_en.aspx?mlfb=3SE5000-0AA01)



last change:

Jun 16, 2014