



EMERG. STOP SWITCH 3-POLE IU=63,
P/AC-23A AT 400V=22KW 1NO+1NC,
1 N-TERMINAL INSULATION-ENCLOSED,
IP65 ROTARY ACTUATOR RED/YELLOW (EMERG. STOP)
METRIC SCREW CONNECTION

Similar to image

General technical details:

product brand name		SETRON
Design of the operating mechanism		rotary actuator, red/yellow
Type from device		fixed mounting
Protection class IP		IP65
Number of poles		3
Mounting type		floor mounting
<ul style="list-style-type: none"> • front mounting • rail mounting • series installation 		No
		No
		No
Insulation voltage / rated value	V	690
Continuous current / rated value	A	63
Product equipment / interlock		Yes
Design of the electrical connection		
<ul style="list-style-type: none"> • for auxiliary contact • for main current circuit 		connection terminals
		connection terminals
Type of the driving mechanism / motor drive		No
Number of NC contacts / for auxiliary contacts		1
Impulse voltage resistance / rated value	V	6,000

Number of NO contacts / for auxiliary contacts		1
Number of changeover contacts / for auxiliary contacts		0
Operating current / at AC-21 / rated value	A	63
Operating voltage		
• of the auxiliary contacts / for AC / maximum	V	500
• at 50/60 Hz / for AC / rated value	V	690
Service power / at AC-3		
• at 400 V / rated value	kW	18.5
• at 690 V / rated value	kW	15
Short-time current resistance (I_{cw}) / at 690 V / limited to 1 s / rated value	A	1,260
Depth	mm	149
Height	mm	199
Width	mm	146
Mechanical operating cycles as operating time / of the main contacts / typical		100,000
Active power loss / per conductor / typical	W	4.5
Design of the fuse link / for short-circuit protection of the auxiliary switch / required		fuse gL/gG: 10 A
Conductor cross section that can be connected		
• for main contacts		
• single- or multi-stranded	mm ²	2.5 ... 35
• stranded	mm ²	2.5 ... 35
• stranded wire / with conductor end processing / maximum	mm ²	16
• for auxiliary contacts		
• finely stranded		
• with conductor end processing	mm ²	0.75 ... 2.5
• single- or multi-stranded	mm ²	0.75 ... 4
• stranded	mm ²	0.75 ... 4
Type of the connectable conductor cross-section		
• for auxiliary contacts / solid		50
• for main contacts / finely stranded / with conductor end processing		16
• for auxiliary contacts		
• finely stranded / with conductor end processing		2x (0.75 ... 1.5 mm ²), 1x 2.5 mm ²
Ambient temperature / during operating	°C	25 ... 55
Protection against electrical shock		finger-safe
Operating cycles / maximum	1/h	50
Acceptability for application		
• main switch		Yes
• switch disconnecter		Yes

<ul style="list-style-type: none"> • maintenance/repair switch • safety cut-out switch • emergency stop switch 		Yes
Product extension / optional		
<ul style="list-style-type: none"> • motor drive • voltage trigger 		No No
Mounting type		
<ul style="list-style-type: none"> • front mounting with central attachment • front mounting with 4-hole attachment 		Yes No
Operating frequency		
<ul style="list-style-type: none"> • initial value • final value 	Hz Hz	50 60
Design of the fuse link / for short-circuit protection of the main circuit / necessary		fuse gL/gG: 63 A
Service power / at AC-23 A		
<ul style="list-style-type: none"> • at 400 V / rated value • at 690 V / rated value 	kW kW	22 18.5
Insulation voltage / of the auxiliary switch / rated value	V	500
Continuous current / of the auxiliary contact / rated value	A	10
Item designation		
<ul style="list-style-type: none"> • according to DIN EN 61346-2 		S

Certificates/approvals:

General Product Approval



CCC



CSA



GOST



UL

Test Certificates

[Special Test Certificate](#)

Shipping Approval



GL

other

[Declaration of Conformity](#)

[Environmental Confirmations](#)

Further information:

Information- and Downloadcenter (Catalogs, Brochures,...)

<http://www.siemens.com/lowvoltage/catalogs>

Industry Mall (Online ordering system)

<https://eb.automation.siemens.com/mall/en/WW/Catalog/Product/3LD2565-1GP53>

Service&Support (Manuals, Certificates, Characteristics, FAQs,...)

<http://support.automation.siemens.com/WW/view/en/3LD2565-1GP53/all>

Image database (product images, 2D dimension drawings, 3D models, device circuit diagrams, ...)

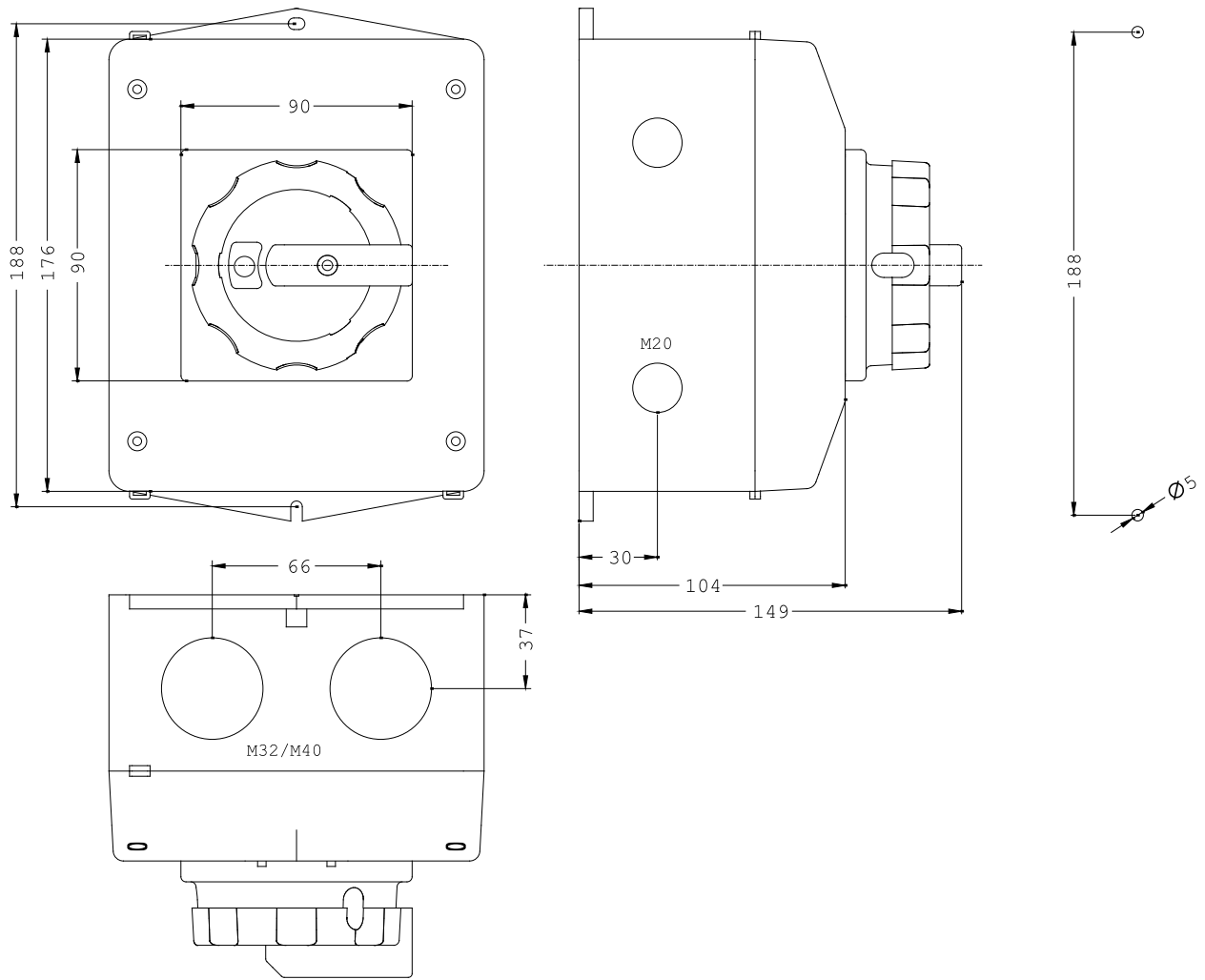
http://www.automation.siemens.com/bilddb/cax_en.aspx?mlfb=3LD2565-1GP53

CAX-Online-Generator

<http://www.siemens.com/cax>

Tender specifications

[Datanorm](#) [GAEB81](#) [GAEB83](#) [RTF](#) [TXT](#)



last change:

Aug 23, 2014