



EMERG. STOP SWITCH 3-POLE IU=63,  
P/AC-23A AT 400V=22KW FLOOR MOUNTING DIN  
RAIL/TWO-HOLE MOUNTING ROTARY ACTUATOR  
RED/YELLOW (EMERG. STOP)

Similar to image

**General technical details:**

<b>product brand name</b>		SETRON
<b>Design of the operating mechanism</b>		rotary actuator, red/yellow
<b>Type from device</b>		fixed mounting
<b>Protection class IP</b>		IP65
<b>Number of poles</b>		3
<b>Mounting type</b>		floor mounting
<ul style="list-style-type: none"> <li>• front mounting</li> <li>• rail mounting</li> <li>• series installation</li> </ul>		No No Yes
<b>Insulation voltage / rated value</b>	V	690
<b>Continuous current / rated value</b>	A	63
<b>Product equipment / interlock</b>		Yes
<b>Design of the electrical connection</b>		
<ul style="list-style-type: none"> <li>• for auxiliary contact</li> <li>• for main current circuit</li> </ul>		connection terminals connection terminals
<b>Type of the driving mechanism / motor drive</b>		No
<b>Number of NC contacts / for auxiliary contacts</b>		0
<b>Impulse voltage resistance / rated value</b>	V	6,000

<b>Number of NO contacts / for auxiliary contacts</b>		0
<b>Number of changeover contacts / for auxiliary contacts</b>		0
<b>Operating current / at AC-21 / rated value</b>	A	63
<b>Operating voltage</b>		
• of the auxiliary contacts / for AC / maximum	V	500
• at 50/60 Hz / for AC / rated value	V	690
<b>Service power / at AC-3</b>		
• at 400 V / rated value	kW	18.5
• at 690 V / rated value	kW	15
<b>Short-time current resistance (I<sub>cw</sub>) / at 690 V / limited to 1 s / rated value</b>	A	1,260
<b>Depth</b>	mm	468.5
<b>Height</b>	mm	106
<b>Width</b>	mm	90
<b>Mechanical operating cycles as operating time / of the main contacts / typical</b>		100,000
<b>Active power loss / per conductor / typical</b>	W	4.5
<b>Design of the fuse link / for short-circuit protection of the auxiliary switch / required</b>		fuse gL/gG: 10 A
<b>Conductor cross section that can be connected</b>		
• for main contacts		
• single- or multi-stranded	mm <sup>2</sup>	2.5 ... 35
• stranded	mm <sup>2</sup>	2.5 ... 35
• stranded wire / with conductor end processing / maximum	mm <sup>2</sup>	16
• for auxiliary contacts		
• finely stranded		
• with conductor end processing	mm <sup>2</sup>	0.75 ... 2.5
• single- or multi-stranded	mm <sup>2</sup>	0.75 ... 4
• stranded	mm <sup>2</sup>	0.75 ... 4
<b>Type of the connectable conductor cross-section</b>		
• for auxiliary contacts / solid		50
• for main contacts / finely stranded / with conductor end processing		16
• for auxiliary contacts		
• finely stranded / with conductor end processing		2x (0.75 ... 1.5 mm <sup>2</sup> ), 1x 2.5 mm <sup>2</sup>
<b>Ambient temperature / during operating</b>	°C	25 ... 55
<b>Protection against electrical shock</b>		finger-safe
<b>Operating cycles / maximum</b>	1/h	50
<b>Acceptability for application</b>		
• main switch		Yes
• switch disconnecter		Yes

<ul style="list-style-type: none"> <li>• maintenance/repair switch</li> <li>• safety cut-out switch</li> <li>• emergency stop switch</li> </ul>		Yes
<b>Product extension / optional</b>		
<ul style="list-style-type: none"> <li>• motor drive</li> <li>• voltage trigger</li> </ul>		No
<b>Mounting type</b>		
<ul style="list-style-type: none"> <li>• front mounting with central attachment</li> <li>• front mounting with 4-hole attachment</li> </ul>		Yes
<b>Operating frequency</b>		
<ul style="list-style-type: none"> <li>• initial value</li> <li>• final value</li> </ul>	Hz	50
	Hz	60
<b>Design of the fuse link / for short-circuit protection of the main circuit / necessary</b>		fuse gL/gG: 63 A
<b>Service power / at AC-23 A</b>		
<ul style="list-style-type: none"> <li>• at 400 V / rated value</li> <li>• at 690 V / rated value</li> </ul>	kW	22
	kW	18.5
<b>Insulation voltage / of the auxiliary switch / rated value</b>	V	500
<b>Continuous current / of the auxiliary contact / rated value</b>	A	10
<b>Item designation</b>		
<ul style="list-style-type: none"> <li>• according to DIN EN 61346-2</li> </ul>		S

#### Certificates/approvals:

##### General Product Approval



CCC



CSA



GOST



UL

##### Test Certificates

[Special Test Certificate](#)

##### Shipping Approval



GL

##### other

[Declaration of Conformity](#)

[Environmental Confirmations](#)

#### Further information:

##### Information- and Downloadcenter (Catalogs, Brochures,...)

<http://www.siemens.com/lowvoltage/catalogs>

##### Industry Mall (Online ordering system)

<https://eb.automation.siemens.com/mall/en/WW/Catalog/Product/3LD2545-0TK53>

##### Service&Support (Manuals, Certificates, Characteristics, FAQs,...)

<http://support.automation.siemens.com/WW/view/en/3LD2545-0TK53/all>

##### Image database (product images, 2D dimension drawings, 3D models, device circuit diagrams, ...)

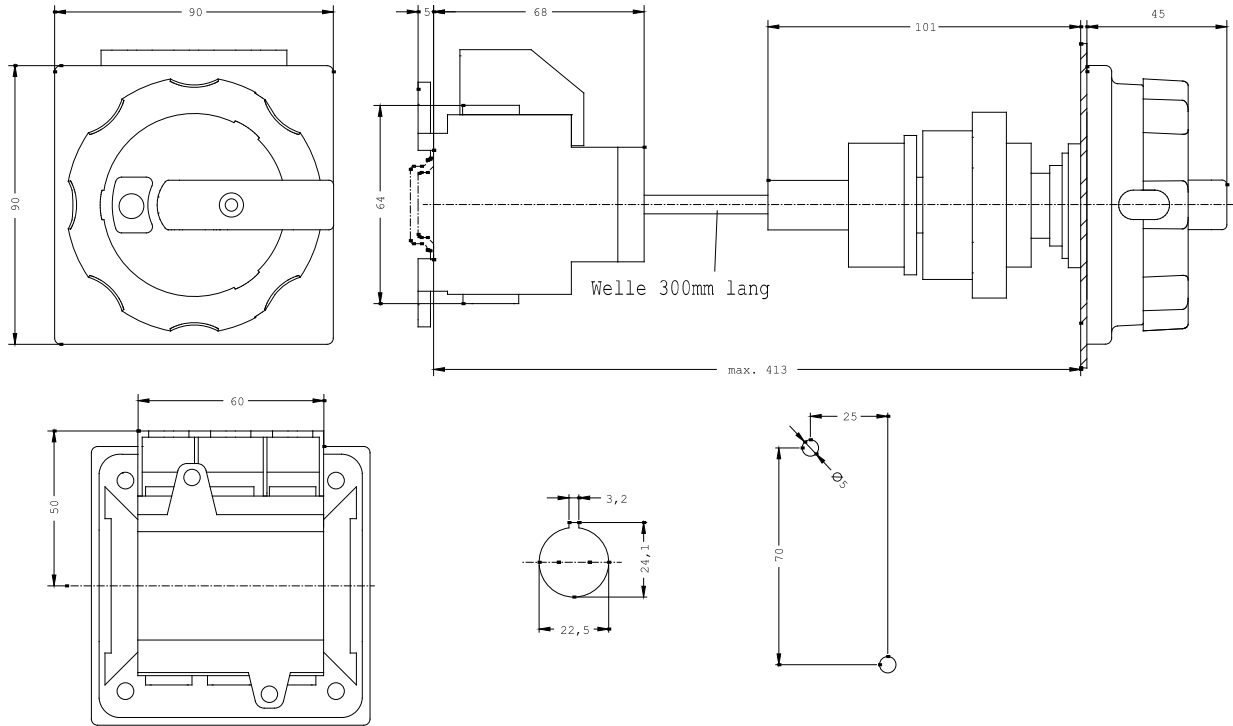
[http://www.automation.siemens.com/bilddb/cax\\_en.aspx?mlfb=3LD2545-0TK53](http://www.automation.siemens.com/bilddb/cax_en.aspx?mlfb=3LD2545-0TK53)

##### CAX-Online-Generator

<http://www.siemens.com/cax>

**Tender specifications**

[Datanorm GAEB81](#) [GAEB83](#) [RTF](#) [TXT](#)



**last change:**

Aug 23, 2014