



EMERG. STOP SWITCH 3-POLE IU=32,
P/AC-23A AT 400V=11.5KW FRONT MOUNTING CENTER
HOLE MOUNTING ROTARY ACTUATOR RED/YELLOW
(EMERG. STOP)

Similar to image

General technical details:

| | | |
|--|---|--|
| product brand name | | SETRON |
| Design of the operating mechanism | | rotary actuator, red/yellow |
| Type from device | | fixed mounting |
| Protection class IP | | IP65 |
| Number of poles | | 3 |
| Mounting type | | front mounting |
| <ul style="list-style-type: none"> • front mounting • rail mounting • series installation | | Yes No Yes |
| Insulation voltage / rated value | V | 690 |
| Continuous current / rated value | A | 32 |
| Product equipment / interlock | | Yes |
| Design of the electrical connection | | |
| <ul style="list-style-type: none"> • for auxiliary contact • for main current circuit | | connection terminals connection terminals |
| Type of the driving mechanism / motor drive | | No |
| Number of NC contacts / for auxiliary contacts | | 0 |
| Impulse voltage resistance / rated value | V | 6,000 |

| | | |
|--|-----------------|--|
| Number of NO contacts / for auxiliary contacts | | 0 |
| Number of changeover contacts / for auxiliary contacts | | 0 |
| Operating current / at AC-21 / rated value | A | 32 |
| Operating voltage | | |
| • of the auxiliary contacts / for AC / maximum | V | 500 |
| • at 50/60 Hz / for AC / rated value | V | 690 |
| Service power / at AC-3 | | |
| • at 400 V / rated value | kW | 9.5 |
| • at 690 V / rated value | kW | 9.5 |
| Short-time current resistance (I_{cw}) / at 690 V / limited to 1 s / rated value | A | 640 |
| Depth | mm | 116.5 |
| Height | mm | 83 |
| Width | mm | 67 |
| Mechanical operating cycles as operating time / of the main contacts / typical | | 100,000 |
| Active power loss / per conductor / typical | W | 1.8 |
| Design of the fuse link / for short-circuit protection of the auxiliary switch / required | | fuse gL/gG: 10 A |
| Conductor cross section that can be connected | | |
| • for main contacts | | |
| • single- or multi-stranded | mm ² | 1.5 ... 16 |
| • stranded | mm ² | 1.5 ... 16 |
| • stranded wire / with conductor end processing / maximum | mm ² | 10 |
| • for auxiliary contacts | | |
| • finely stranded | | |
| • with conductor end processing | mm ² | 0.75 ... 2.5 |
| • single- or multi-stranded | mm ² | 0.75 ... 4 |
| • stranded | mm ² | 0.75 ... 4 |
| Type of the connectable conductor cross-section | | |
| • for auxiliary contacts / solid | | 50 |
| • for main contacts / finely stranded / with conductor end processing | | 10 |
| • for auxiliary contacts | | |
| • finely stranded / with conductor end processing | | 2x (0.75 ... 1.5 mm ²), 1x 2.5 mm ² |
| Ambient temperature / during operating | °C | 25 ... 55 |
| Protection against electrical shock | | finger-safe |
| Operating cycles / maximum | 1/h | 50 |
| Acceptability for application | | |
| • main switch | | Yes |
| • switch disconnecter | | Yes |

| | | |
|---|----|------------------|
| <ul style="list-style-type: none"> • maintenance/repair switch • safety cut-out switch • emergency stop switch | | Yes |
| Product extension / optional | | |
| <ul style="list-style-type: none"> • motor drive • voltage trigger | | No |
| Mounting type | | |
| <ul style="list-style-type: none"> • front mounting with central attachment • front mounting with 4-hole attachment | | Yes |
| Operating frequency | | |
| <ul style="list-style-type: none"> • initial value • final value | Hz | 50 |
| | Hz | 60 |
| Design of the fuse link / for short-circuit protection of the main circuit / necessary | | fuse gL/gG: 40 A |
| Service power / at AC-23 A | | |
| <ul style="list-style-type: none"> • at 400 V / rated value • at 690 V / rated value | kW | 11.5 |
| | kW | 11.5 |
| Insulation voltage / of the auxiliary switch / rated value | V | 500 |
| Continuous current / of the auxiliary contact / rated value | A | 10 |
| Item designation | | |
| <ul style="list-style-type: none"> • according to DIN EN 61346-2 | | S |

Certificates/approvals:

General Product Approval



CCC



CSA



GOST



UL

Test Certificates

[Special Test Certificate](#)

Shipping Approval



GL

other

[Declaration of Conformity](#)

[Environmental Confirmations](#)

Further information:

Information- and Downloadcenter (Catalogs, Brochures,...)

<http://www.siemens.com/lowvoltage/catalogs>

Industry Mall (Online ordering system)

<https://eb.automation.siemens.com/mall/en/WW/Catalog/Product/3LD2254-0TK53>

Service&Support (Manuals, Certificates, Characteristics, FAQs,...)

<http://support.automation.siemens.com/WW/view/en/3LD2254-0TK53/all>

Image database (product images, 2D dimension drawings, 3D models, device circuit diagrams, ...)

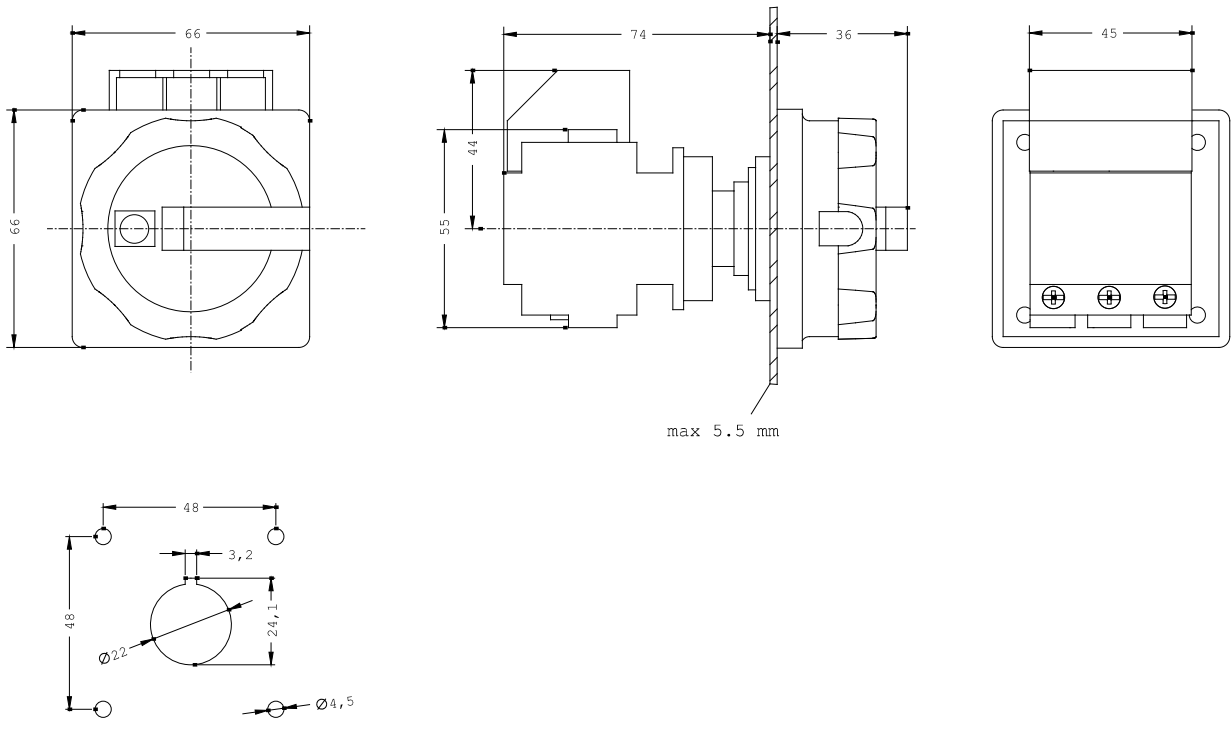
http://www.automation.siemens.com/bilddb/cax_en.aspx?mlfb=3LD2254-0TK53

CAX-Online-Generator

<http://www.siemens.com/cax>

Tender specifications

[Datanorm](#) [GAEB81](#) [GAEB83](#) [RTF](#) [TXT](#)



last change:

Aug 23, 2014