



SEMICOND. RELAY 3RF2,
1-PHASE WIDTH 22.5 MM,
20 A 24-230 V / 24 V DC SPRING-LOADED TERMINAL

General technical data:

| | | |
|--|----|-------------------------------|
| product brand name | | SIRIUS |
| Product designation | | solid-state relay |
| Product function | | zero-point switching |
| Number of poles / for main current circuit | | 1 |
| Protection class IP | | IP20 |
| Product designation / _3 / of the accessories that can be ordered | | converter |
| Manufacturer article number / _3 / of the accessories that can be ordered | | 3RF2900-0EA18 |
| Ambient temperature | | |
| • during operating | °C | -25 ... +60 |
| • during storage | °C | -55 ... +80 |
| Installation altitude / at a height over sea level / maximum | m | 1,000 |
| Resistance against vibration / according to IEC 60068-2-6 | | 2g |
| Shock resistance / according to IEC 60068-2-27 | | 15g / 11 ms |
| Reference code | | |
| • according to DIN 40719 extended according to IEC 204-2 / according to IEC 750 | | K |
| • according to DIN EN 61346-2 | | Q |
| Number of NC contacts / for auxiliary contacts | | 0 |

| | | |
|--|--|---|
| Number of NO contacts / for auxiliary contacts | | 0 |
| Number of changeover contacts / for auxiliary contacts | | 0 |

Main circuit:

| | | |
|---|-------------------|---|
| Number of NO contacts / for main contacts | | 1 |
| Number of NC contacts / for main contacts | | 0 |
| Operating current | | |
| • rated value / maximum | A | 20 |
| • at AC-51 / rated value | A | 20 |
| • minimum | mA | 100 |
| Operating voltage | | |
| • at 50 Hz / at AC / rated value | V | 24 ... 230 |
| • at 60 Hz / at AC / rated value | V | 24 ... 230 |
| Working range relative to the operating voltage | | |
| • at 50 Hz / with AC | V | 20 ... 253 |
| • at 60 Hz / with AC | V | 20 ... 253 |
| Operating frequency | | |
| • rated value | Hz | 50 ... 60 |
| Relative symmetrical tolerance / of the operation frequency | % | 10 |
| Insulation voltage / rated value | V | 600 |
| Voltage slew rate / at the thyristor / for main contacts / maximum permissible | V/ μ s | 500 |
| Block voltage / at the thyristor / for main contacts / maximum permissible | V | 800 |
| Reverse current / of the thyristor | mA | 10 |
| Derating temperature | $^{\circ}$ C | 40 |
| Active power loss / total / typical | W | 28.6 |
| Apparent loss power / maximum | V·A | 28.6 |
| Resistance against the impulse current / rated value | A | 200 |
| I²t-level / maximum | A ² ·s | 200 |
| Short-circuit protection, design of the fuse link | | https://www.automation.siemens.com/cd-static/material/info/3RF21_eng.pdf |

Control circuit/ Control:

| | | |
|--|---|----|
| Voltage type / of control feed voltage | | DC |
| Control supply voltage / 1 | | |
| • for DC | | |
| • initial rated value | V | 15 |
| • final rated value | V | 24 |
| Control supply voltage | | |
| • for DC / final value for signal<0>-recognition | V | 5 |






| | | |
|--|----|----|
| Control current • at minimum control supply voltage / for DC • for DC / rated value | mA | 2 |
| | mA | 15 |

| Installation/ mounting/ dimensions: | | |
|--|-----|--------------|
| Mounting type | | screw fixing |
| Mounting type / series installation | | Yes |
| Design of the thread / of the screw for fastening of the operating resource | | M4 |
| Tightening torque / of the screw for fastening of the operating resource | N·m | 1.5 |
| Width | mm | 22.5 |
| Height | mm | 85 |
| Depth | mm | 48 |

| Connections/ terminals: | | |
|---|-----------------|---|
| Design of the electrical connection / for main current circuit | | spring-loaded terminals |
| Tightening torque / for main contacts • with screw-type terminals | N·m | 2 ... 2.5 |
| Type of the connectable conductor cross-section • for main contacts <ul style="list-style-type: none"> • solid • finely stranded <ul style="list-style-type: none"> • with conductor end processing • without conductor final cutting | | 2x (0.5 ... 2.5 mm ²) 2x (0.5 ... 1.5 mm ²) 2x (0.5 ... 2.5 mm ²) |
| • for AWG conductors <ul style="list-style-type: none"> • for main contacts • for auxiliary and control contacts | | 2x (18 ... 14) 1x (AWG 20 ... 12) |
| • for auxiliary and control contacts <ul style="list-style-type: none"> • solid • finely stranded <ul style="list-style-type: none"> • with conductor end processing • without conductor final cutting | | 0.5 ... 1.5 mm ² 0.5 ... 2.5 mm ² 0.5 ... 2.5 mm ² |
| Conductor cross section that can be connected • for main contacts <ul style="list-style-type: none"> • single- or multi-stranded • stranded wire <ul style="list-style-type: none"> • with conductor end processing • without conductor final cutting | mm ² | 0.5 ... 2.5 |
| • for auxiliary and control contacts <ul style="list-style-type: none"> • solid | mm ² | 0.5 ... 1.5 |
| | mm ² | 0.5 ... 2.5 |
| | mm ² | 0.5 ... 1.5 |

| | | |
|--|-----------------|-------------------------|
| <ul style="list-style-type: none"> • stranded wire | | |
| <ul style="list-style-type: none"> • with conductor end processing / | mm ² | 0.5 ... 2.5 |
| <ul style="list-style-type: none"> • without conductor final cutting | mm ² | 0.5 ... 2.5 |
| AWG number / as coded connectable conductor cross-section / for main contacts | | 14 ... 10 |
| Design of the electrical connection / for auxiliary and control current circuit | | spring-loaded terminals |
| AWG number / as coded connectable conductor cross-section | | |
| <ul style="list-style-type: none"> • for auxiliary and control contacts | | 20 ... 12 |
| Skinning length / of the cable / for main contacts | mm | 10 |
| Skinning length / of the cable / for auxiliary and control contacts | mm | 10 |

Certificates/ approvals:

| General Product Approval | | EMC | Declaration of Conformity | |
|---|---|---|---|---|
|  |  |  |  |  |
| CSA | | UR | C-TICK | EG-Konf. |
| Test Certificates | | other | | |
| Special Test Certificate | Type Test Certificates/Test Report | Environmental Confirmations | | |

Further information:

Information- and Downloadcenter (Catalogs, Brochures,...)

<http://www.siemens.com/industrial-controls/catalogs>

Industry Mall (Online ordering system)

<https://mall.industry.siemens.com/>

Cax online generator

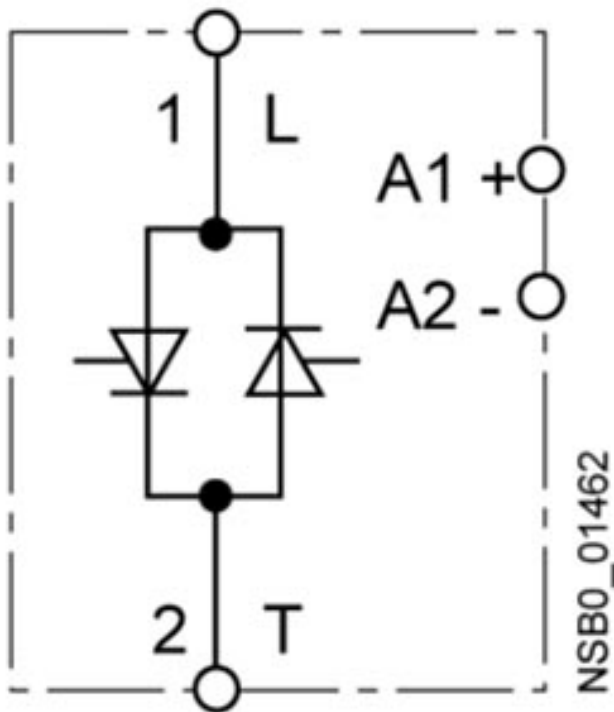
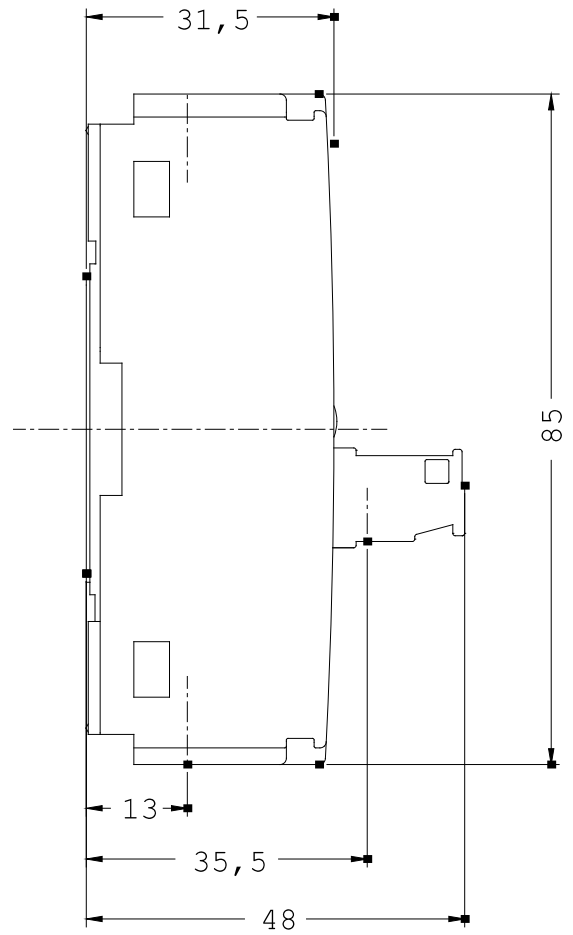
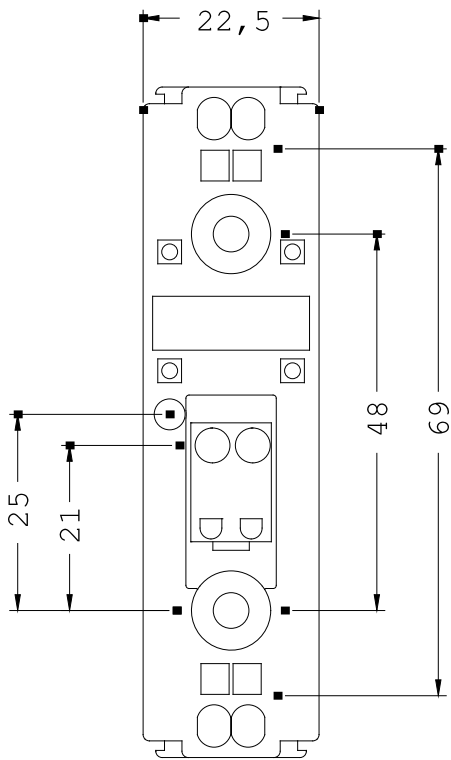
<http://www.siemens.com/cax>

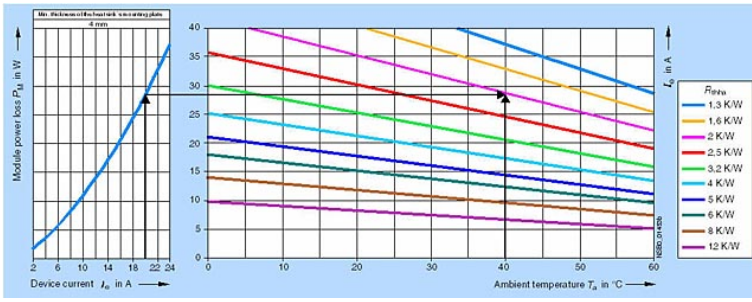
Service&Support (Manuals, Certificates, Characteristics, FAQs,...)

<http://support.automation.siemens.com/WW/view/en/3RF2120-2AA02/all>

Image database (product images, 2D dimension drawings, 3D models, device circuit diagrams, ...)

http://www.automation.siemens.com/bilddb/cax_en.aspx?mlfb=3RF2120-2AA02





last change:

Jun 16, 2014