



ADD. HINGE F. 40MM PROFILE FOR HINGE SWITCH 3SE228.- SUPPLIED WITH MOUNTING MAT.

#### Certificates/ approvals:

General Product Approval



#### Further information:

Information- and Downloadcenter (Catalogs, Brochures,...)

<http://www.siemens.com/industrial-controls/catalogs>

Industry Mall (Online ordering system)

<http://www.siemens.com/industrial-controls/mall>

Cax online generator

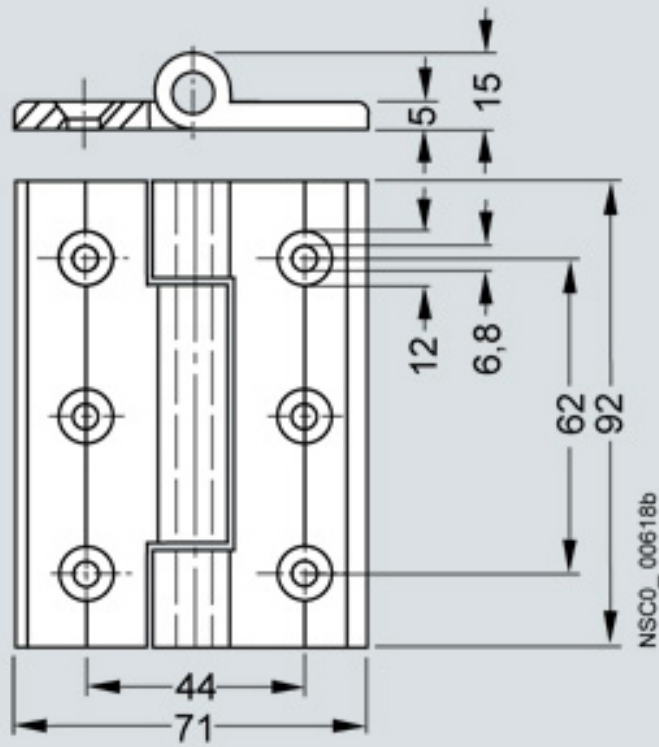
<http://www.siemens.com/cax>

Service&Support (Manuals, Certificates, Characteristics, FAQs,...)

<http://support.automation.siemens.com/WW/view/en/3SX3225/all>

Image database (product images, 2D dimension drawings, 3D models, device circuit diagrams, ...)

[http://www.automation.siemens.com/bilddb/cax\\_en.aspx?mlfb=3SX3225](http://www.automation.siemens.com/bilddb/cax_en.aspx?mlfb=3SX3225)



last change: