



SIRIUS CABLE-OPERATED SWITCH METAL HOUSING, 2X M20X1.5 1NO+1NC, WITHOUT LATCHING FOR CABLE LENGTHS UP TO 25M

General technical data:		
Product designation		cable-operated switch
Number of indicator lights		0
Rope length / maximum	m	25
Product component / EMERGENCY STOP device		No
Reference code / according to DIN 40719 extended according to IEC 204-2 / according to IEC 750		S
Reference code / according to DIN EN 61346-2		S
Width	mm	52
Height	mm	164.5
Depth	mm	42.5
Enclosure:		
Mounting type		screw fixing
Material / of the enclosure		metal
Color / of top part of the enclosure		grey
Contact:		
Number of NC contacts / for auxiliary contacts		1
Number of NO contacts / for auxiliary contacts		1
Switching function / arresting lock		No

Certificates/ approvals:

General Product Approval



CCC



CSA



EG-Konf.

Shipping Approval



ABS



LRS



PRS



RINA

Ambient conditions:

Protection class IP

IP65

Ambient temperature

- during operating

°C

-25 ... +70

Further information:

Information- and Downloadcenter (Catalogs, Brochures,...)

<http://www.siemens.com/industrial-controls/catalogs>

Industry Mall (Online ordering system)

<http://www.siemens.com/industrial-controls/mall>

Cax online generator

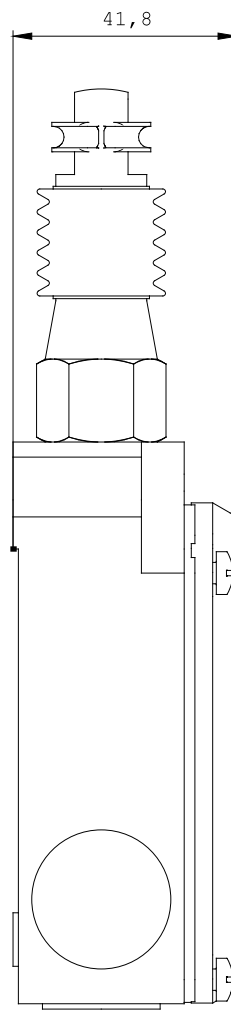
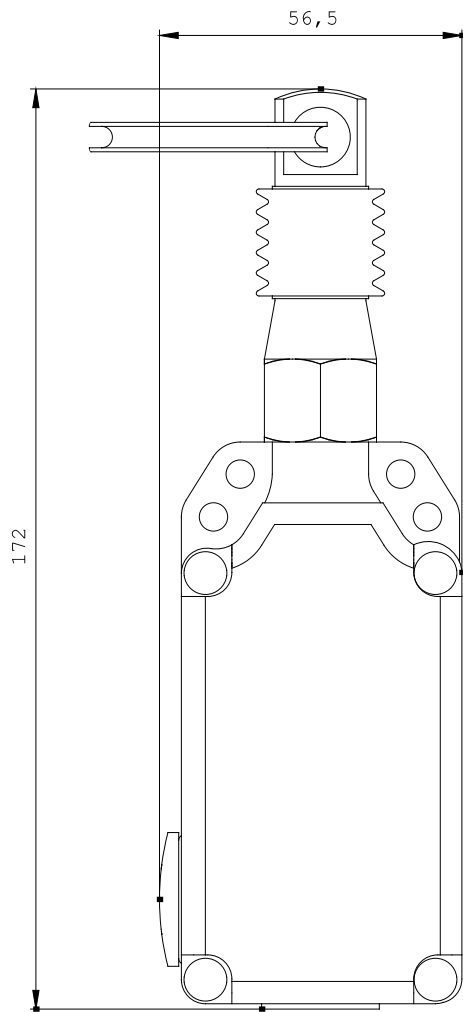
<http://www.siemens.com/cax>

Service&Support (Manuals, Certificates, Characteristics, FAQs,...)

<http://support.automation.siemens.com/WW/view/en/3SE7150-2DD00/all>

Image database (product images, 2D dimension drawings, 3D models, device circuit diagrams, ...)

http://www.automation.siemens.com/bilddb/cax_en.aspx?mlfb=3SE7150-2DD00



\w9.
\w7.

last change:

Jan 21, 2013