



SIRIUS ROPE SWITCH W. EMER-STOP "METAL ENCLOSURE,3XM20X1.5;" 1NO+3NC, LATCHING TO AND TURN-TO-RESET, FOR ROPE LENGTHS UP TO 75M

General technical data:		
Product designation		cable-operated switch
Number of indicator lights		0
Type of unlocking device		rotate-to-unlatch mechanism
Rope length / maximum	m	75
Product component / EMERGENCY STOP device		Yes
Reference code / according to DIN 40719 extended according to IEC 204-2 / according to IEC 750		S
Reference code / according to DIN EN 61346-2		S
Width	mm	67
Height	mm	209
Depth	mm	53
Enclosure:		
Mounting type		screw fixing
Material / of the enclosure		metal
Color / of top part of the enclosure		grey
Contact:		
Number of NC contacts / for auxiliary contacts		3
Number of NO contacts / for auxiliary contacts		1

Switching function / arresting lock

Yes

Certificates/ approvals:

General Product Approval



Shipping Approval



Ambient conditions:

Protection class IP

IP65

Ambient temperature

- during operating

°C

-25 ... +70

Further information:

Information- and Downloadcenter (Catalogs, Brochures,...)

<http://www.siemens.com/industrial-controls/catalogs>

Industry Mall (Online ordering system)

<http://www.siemens.com/industrial-controls/mall>

Cax online generator

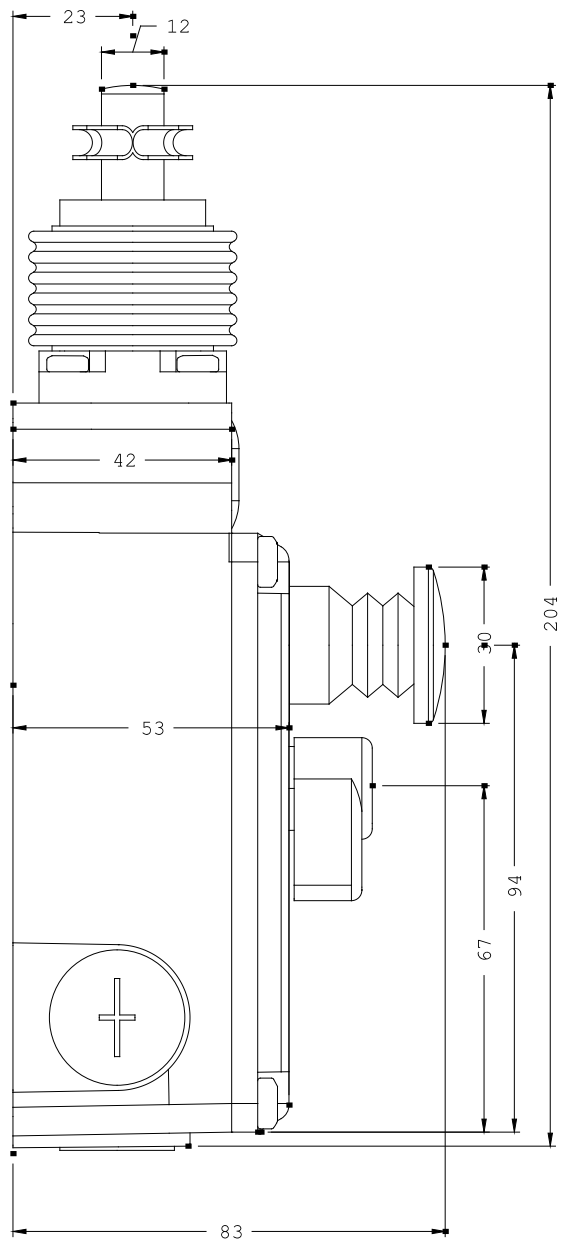
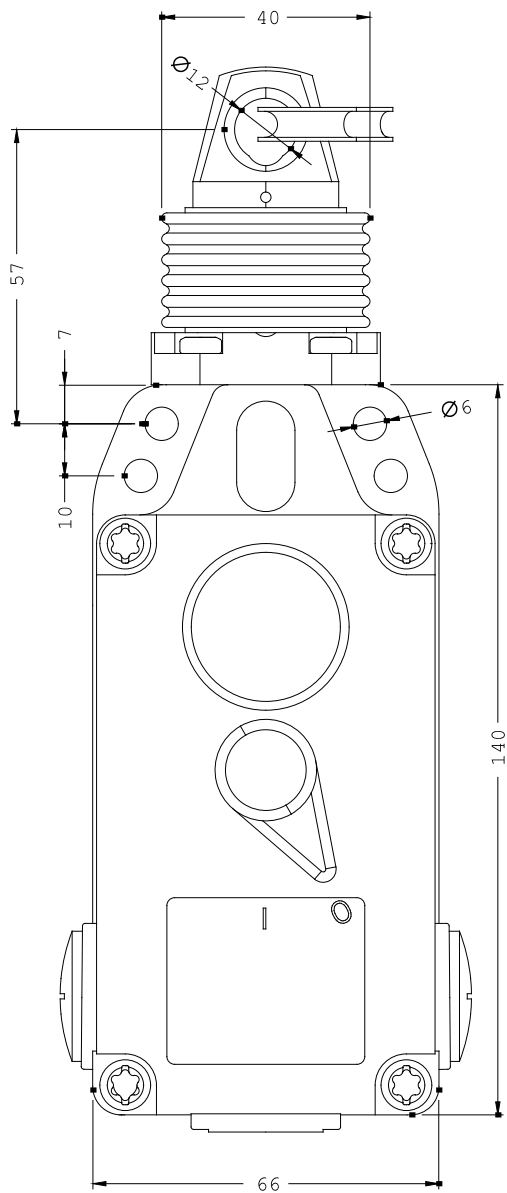
<http://www.siemens.com/cax>

Service&Support (Manuals, Certificates, Characteristics, FAQs,...)

<http://support.automation.siemens.com/WW/view/en/3SE7141-1EG10/all>

Image database (product images, 2D dimension drawings, 3D models, device circuit diagrams, ...)

http://www.automation.siemens.com/bilddb/cax_en.aspx?mlfb=3SE7141-1EG10



last change:

Jan 21, 2013