



SIRIUS CABLE-OPERATED SWITCH METAL ENCLOSURE;  
2XM20X1.5 1NO+1NC,  
WITHOUT LATCH CABLE-OPERATED FUNCTION ONLY  
MAX. ACTUATING FORCE 80N ACTUATING FORCE 80N  
MAX.

#### General technical data:

Product designation		cable-operated switch
Number of indicator lights		0
Rope length / maximum	m	10
Product component / EMERGENCY STOP device		No
Reference code / according to DIN 40719 extended according to IEC 204-2 / according to IEC 750		S
Reference code / according to DIN EN 61346-2		S
Width	mm	52
Height	mm	164.5
Depth	mm	42.5

#### Enclosure:

Mounting type		screw fixing
Material / of the enclosure		metal
Color / of top part of the enclosure		grey

#### Contact:

Number of NC contacts / for auxiliary contacts		1
Number of NO contacts / for auxiliary contacts		1
Switching function / arresting lock		No

## Certificates/ approvals:

### General Product Approval



CCC



EG-Konf.

### Shipping Approval



ABS



LRS



PRS



RINA

## Ambient conditions:

### Protection class IP

IP65

### Ambient temperature

- during operating

°C

-25 ... +70

## Further information:

### Information- and Downloadcenter (Catalogs, Brochures,...)

<http://www.siemens.com/industrial-controls/catalogs>

### Industry Mall (Online ordering system)

<http://www.siemens.com/industrial-controls/mall>

### Cax online generator

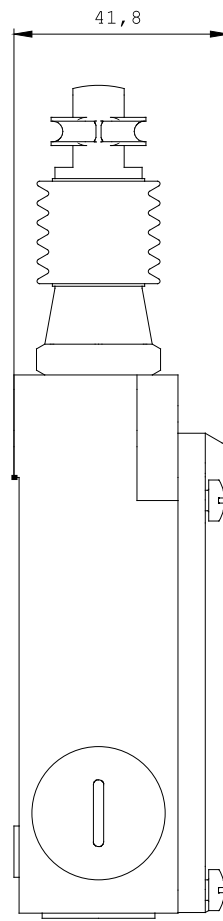
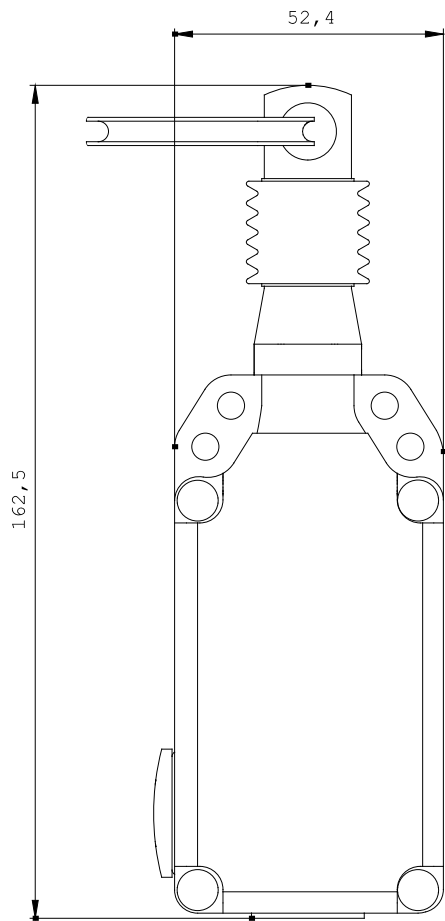
<http://www.siemens.com/cax>

### Service&Support (Manuals, Certificates, Characteristics, FAQs,...)

<http://support.automation.siemens.com/WW/view/en/3SE7120-2DD01/all>

### Image database (product images, 2D dimension drawings, 3D models, device circuit diagrams, ...)

[http://www.automation.siemens.com/bilddb/cax\\_en.aspx?mlfb=3SE7120-2DD01](http://www.automation.siemens.com/bilddb/cax_en.aspx?mlfb=3SE7120-2DD01)



\w9.  
\w9.

**last change:**

Jan 21, 2013