



BASIC SWITCH FOR POSITION SWITCH 3SE5162,  
METAL ENCLOSURE XL,56MM WIDE DEVICE  
CONNECTION 3X(M20X1.5),  
IP66/IP67 2X (1NO/1NC) QUICK ACTION CONTACTS,  
WITHOUT ACTUATOR HEAD

<b>Manufacturer article number</b>		
<ul style="list-style-type: none"> <li>of the basic unit included in the scope of supply</li> </ul>		<a href="#">3SE5162-0CA00</a>

General technical data:		
<b>Product designation</b>		basic switch for standard position switches
<b>Explosion protection category for dust</b>		none
<b>Insulation voltage</b>		
<ul style="list-style-type: none"> <li>rated value</li> </ul>	V	400
<b>Degree of pollution</b>		class 3
<b>Thermal current</b>	A	10
<b>Operating current</b>		
<ul style="list-style-type: none"> <li>at AC-15                             <ul style="list-style-type: none"> <li>at 24 V / rated value</li> <li>at 125 V / rated value</li> <li>at 230 V / rated value</li> <li>at 400 V / rated value</li> </ul> </li> <li>at DC-13                             <ul style="list-style-type: none"> <li>at 24 V / rated value</li> <li>at 125 V / rated value</li> <li>at 230 V / rated value</li> <li>at 400 V / rated value</li> </ul> </li> </ul>	A	6
	A	8
	A	6
	A	4
	A	6
	A	0.55
	A	0.27
	A	0.1

<b>Continuous current</b>		
• of the slow DIAZED fuse link	A	6
• of the quick DIAZED fuse link	A	10
• of the C characteristic circuit breaker	A	1
<b>Mechanical operating cycles as operating time</b>		
• typical		5,000,000
<b>Electrical operating cycles as operating time</b>		
• with contactor 3RH11, 3RT1016, 3RT1017, 3RT1024, 3RT1025, 3RT1026 / typical		5,000,000
• at AC-15 / at 230 V / typical		100,000
<b>Electrical operating cycles in one hour</b>		
• with contactor 3RH11, 3RT1016, 3RT1017, 3RT1024, 3RT1025, 3RT1026		6,000
<b>Repeat accuracy</b>	mm	0.05
<b>Design of the contact element</b>		snap-action contacts
<b>Number of NC contacts</b>		
• for auxiliary contacts		2
<b>Design of the switching function</b>		Positive opening with appropriate positive opening actuator head
<b>Number of NO contacts</b>		
• for auxiliary contacts		2
<b>Resistance against vibration</b>		0.35 mm / 5g
<b>Resistance against shock</b>		30g / 11 ms
<b>Ambient temperature</b>		
• during operating	°C	-25 ... +85
• during storage	°C	-40 ... +90
<b>Width of the sensor</b>	mm	56
<b>Material</b>		
• of the enclosure		metal
<b>Material / of the enclosure / of the switch head</b>		metal
<b>Design of the operating mechanism</b>		without
<b>Actuating speed</b>	mm/s / m/s	0.1 ... 2.5
<b>Minimum actuating force / in activation direction</b>	N	30
<b>Protection class IP</b>		IP66/IP67
<b>mounting position</b>		any
<b>Cable gland version</b>		3 x (M20 x 1.5)
<b>Design of the electrical connection</b>		screw-type terminals
<b>Reference code</b>		
• according to DIN 40719 extended according to IEC 204-2		S
• according to DIN EN 61346-2		B

## Certificates/ approvals:

General Product Approval



Declaration of  
Conformity

EG-Konf.

Test Certificates

[Special Test  
Certificate](#)

other

[Confirmation](#)

## Further information:

Information- and Downloadcenter (Catalogs, Brochures,...)

<http://www.siemens.com/industrial-controls/catalogs>

Industry Mall (Online ordering system)

<http://www.siemens.com/industrymall>

Cax online generator

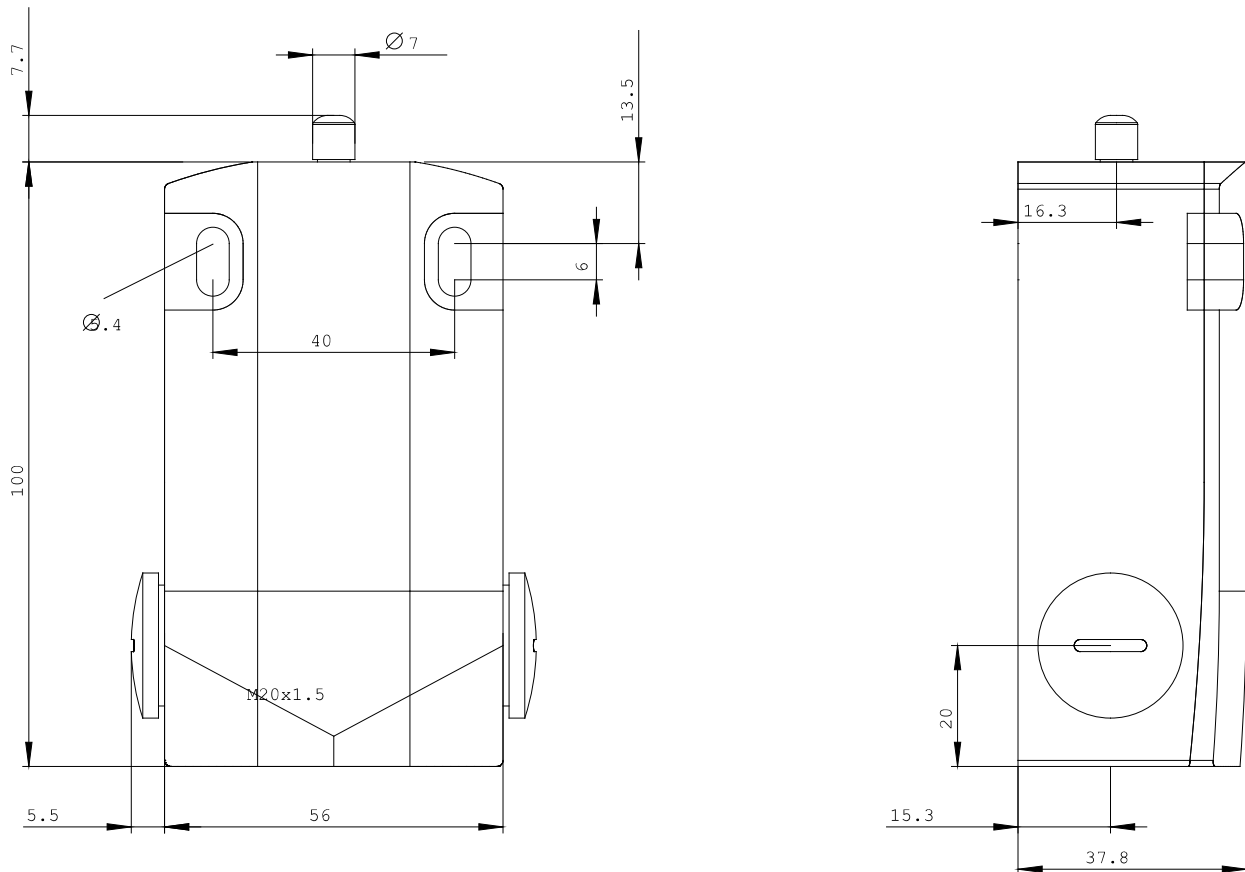
<http://www.siemens.com/cax>

Service&Support (Manuals, Certificates, Characteristics, FAQs,...)

<http://support.automation.siemens.com/WW/view/en/3SE5162-0CA00/all>

Image database (product images, 2D dimension drawings, 3D models, device circuit diagrams, ...)

[http://www.automation.siemens.com/bilddb/cax\\_en.aspx?mlfb=3SE5162-0CA00](http://www.automation.siemens.com/bilddb/cax_en.aspx?mlfb=3SE5162-0CA00)



last change:

Jul 24, 2014