



SIRIUS POSITION SWITCH PLASTIC ENCLOSURE 40MM,
 TWIST LEVER,
 LENGTH ADJUSTABLE METAL LEVER WITH HOLE
 PITCH,
 PLASTIC ROLLER 19MM TO EN50041,
 DEVICE CONNECTION 1X (M20X1.5) 1NO/1NC SNAP-
 ACTION CONTACTS PART-TURN ACTUATOR
 RIGHT/LEFT ADJUSTABLE

Manufacturer article number

- of the basic unit included in the scope of supply
- of the actuator head for position switches included in the scope of supply
- of the operating lever included in the scope of supply

[3SE5132-0CA00](#)

[3SE5000-0AJ00](#)

[3SE5000-0AA60](#)

General technical data:

Product designation

standard position switch

Explosion protection category for dust

none

Insulation voltage

- rated value

V

400

Degree of pollution

class 3

Thermal current

A

10

Operating current

- at AC-15
 - at 24 V / rated value
 - at 125 V / rated value
 - at 230 V / rated value
 - at 400 V / rated value
- at DC-13
 - at 24 V / rated value
 - at 125 V / rated value

A

6

A

6

A

6

A

4

A

3

A

0.55

<ul style="list-style-type: none"> • at 230 V / rated value • at 400 V / rated value 	A	0.27
	A	0.1
Continuous current		
<ul style="list-style-type: none"> • of the slow DIAZED fuse link • of the quick DIAZED fuse link • of the C characteristic circuit breaker 	A	6
	A	10
	A	1
Mechanical operating cycles as operating time		
<ul style="list-style-type: none"> • typical 		5,000,000
Electrical operating cycles as operating time		
<ul style="list-style-type: none"> • with contactor 3RH11, 3RT1016, 3RT1017, 3RT1024, 3RT1025, 3RT1026 / typical • at AC-15 / at 230 V / typical 		5,000,000
		100,000
Electrical operating cycles in one hour		
<ul style="list-style-type: none"> • with contactor 3RH11, 3RT1016, 3RT1017, 3RT1024, 3RT1025, 3RT1026 		6,000
Repeat accuracy	mm	0.05
Design of the contact element		snap-action contacts
Number of NC contacts		
<ul style="list-style-type: none"> • for auxiliary contacts 		1
Design of the switching function		positive opening
Number of NO contacts		
<ul style="list-style-type: none"> • for auxiliary contacts 		1
Resistance against vibration		0.35 mm / 5g
Resistance against shock		30g / 11 ms
Ambient temperature		
<ul style="list-style-type: none"> • during operating • during storage 	°C	-25 ... +85
	°C	-40 ... +90
Product specification		
<ul style="list-style-type: none"> • for dimensions 		EN 50041
Width of the sensor	mm	40
Material		
<ul style="list-style-type: none"> • of the enclosure 		plastic
Material / of the enclosure / of the switch head		plastic
Design of the operating mechanism		metal lever, adjustable length with closing shape, plastic roller 19 mm
Actuating speed	mm/s / m/s	0.1 ... 1.5
Minimum actuating force / in activation direction	N·m	0.25
Protection class IP		IP66/IP67
mounting position		any
Cable gland version		1x (M20 x 1.5)

Design of the electrical connection		screw-type terminals
Reference code		
<ul style="list-style-type: none"> • according to DIN 40719 extended according to IEC 204-2 • according to DIN EN 61346-2 		S B

Certificates/ approvals:

General Product Approval	Declaration of Conformity	other
---------------------------------	----------------------------------	--------------



[Confirmation](#)

Further information:

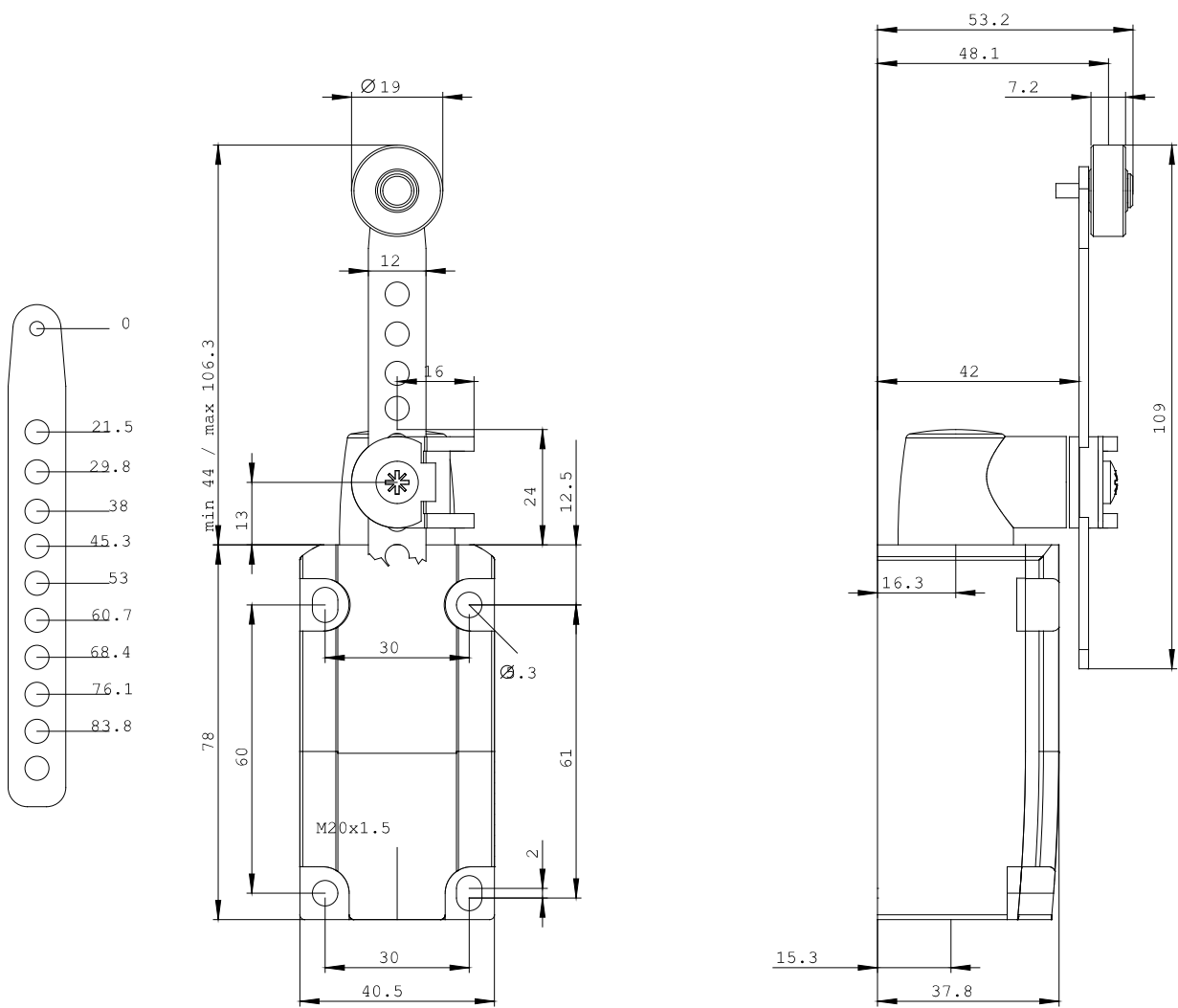
Information- and Downloadcenter (Catalogs, Brochures,...)
<http://www.siemens.com/industrial-controls/catalogs>

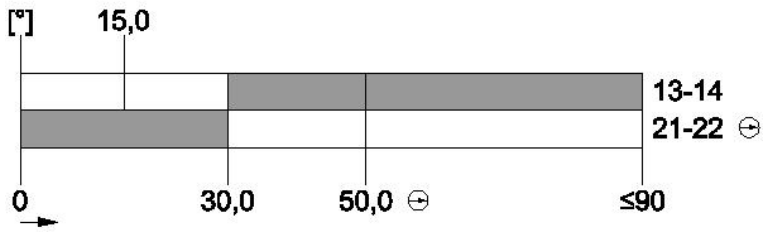
Industry Mall (Online ordering system)
<http://www.siemens.com/industrymall>

Cax online generator
<http://www.siemens.com/cax>

Service&Support (Manuals, Certificates, Characteristics, FAQs,...)
<http://support.automation.siemens.com/WW/view/en/3SE5132-0CJ60/all>

Image database (product images, 2D dimension drawings, 3D models, device circuit diagrams, ...)
http://www.automation.siemens.com/bilddb/cax_en.aspx?mlfb=3SE5132-0CJ60





last change:

Jul 24, 2014