



SIRIUS POSITION SWITCH PLASTIC ENCLOSURE 40MM, TWIST LEVER, TO EN50041, DEVICE CONNECTION 1X (M20X1.5) 1NO/1NC SLOW-ACTION CONTACTS PART-TURN ACTUATOR RIGHT/LEFT ADJUSTABLE, METAL LEVER 27MM LONG AND PLASTIC ROLLER 19MM

**Manufacturer article number**

- of the basic unit included in the scope of supply
- of the actuator head for position switches included in the scope of supply
- of the operating lever included in the scope of supply

[3SE5132-0CA00](#)

[3SE5000-0AJ00](#)

[3SE5000-0AA01](#)

**General technical data:**

**Product designation**

standard position switch

**Explosion protection category for dust**

none

**Insulation voltage**

- rated value

V

400

**Degree of pollution**

class 3

**Thermal current**

A

10

**Operating current**

- at AC-15
  - at 24 V / rated value
  - at 125 V / rated value
  - at 230 V / rated value
  - at 400 V / rated value
- at DC-13
  - at 24 V / rated value
  - at 125 V / rated value

A

6

A

6

A

6

A

4

A

3

A

0.55

<ul style="list-style-type: none"> <li>• at 230 V / rated value</li> <li>• at 400 V / rated value</li> </ul>	A	0.27
	A	0.1
<b>Continuous current</b>		
<ul style="list-style-type: none"> <li>• of the slow DIAZED fuse link</li> <li>• of the quick DIAZED fuse link</li> <li>• of the C characteristic circuit breaker</li> </ul>	A	6
	A	10
	A	1
<b>Mechanical operating cycles as operating time</b>		
<ul style="list-style-type: none"> <li>• typical</li> </ul>		5,000,000
<b>Electrical operating cycles as operating time</b>		
<ul style="list-style-type: none"> <li>• with contactor 3RH11, 3RT1016, 3RT1017, 3RT1024, 3RT1025, 3RT1026 / typical</li> <li>• at AC-15 / at 230 V / typical</li> </ul>		5,000,000
		100,000
<b>Electrical operating cycles in one hour</b>		
<ul style="list-style-type: none"> <li>• with contactor 3RH11, 3RT1016, 3RT1017, 3RT1024, 3RT1025, 3RT1026</li> </ul>		6,000
<b>Repeat accuracy</b>	mm	0.05
<b>Design of the contact element</b>		snap-action contacts
<b>Number of NC contacts</b>		
<ul style="list-style-type: none"> <li>• for auxiliary contacts</li> </ul>		1
<b>Design of the switching function</b>		positive opening
<b>Number of NO contacts</b>		
<ul style="list-style-type: none"> <li>• for auxiliary contacts</li> </ul>		1
<b>Resistance against vibration</b>		0.35 mm / 5g
<b>Resistance against shock</b>		30g / 11 ms
<b>Ambient temperature</b>		
<ul style="list-style-type: none"> <li>• during operating</li> <li>• during storage</li> </ul>	°C	-25 ... +85
	°C	-40 ... +90
<b>Product specification</b>		
<ul style="list-style-type: none"> <li>• for dimensions</li> </ul>		EN 50041
<b>Width of the sensor</b>	mm	40
<b>Material</b>		
<ul style="list-style-type: none"> <li>• of the enclosure</li> </ul>		plastic
<b>Material / of the enclosure / of the switch head</b>		plastic
<b>Design of the operating mechanism</b>		metal lever, 27 mm long, step 9 mm, plastic roller 19 mm
<b>Actuating speed</b>	mm/s / m/s	0.1 ... 1.5
<b>Minimum actuating force / in activation direction</b>	N·m	0.25
<b>Protection class IP</b>		IP66/IP67
<b>mounting position</b>		any
<b>Cable gland version</b>		1x (M20 x 1.5)

<b>Design of the electrical connection</b>		screw-type terminals
<b>Reference code</b>		
<ul style="list-style-type: none"> <li>• according to DIN 40719 extended according to IEC 204-2</li> <li>• according to DIN EN 61346-2</li> </ul>		S B

**Certificates/ approvals:**

<b>General Product Approval</b>	<b>Declaration of Conformity</b>	<b>other</b>
---------------------------------	----------------------------------	--------------



[Confirmation](#)

**Further information:**

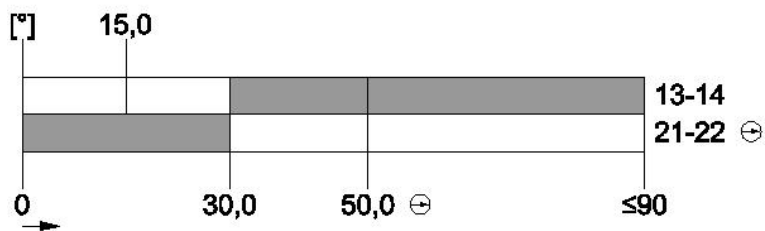
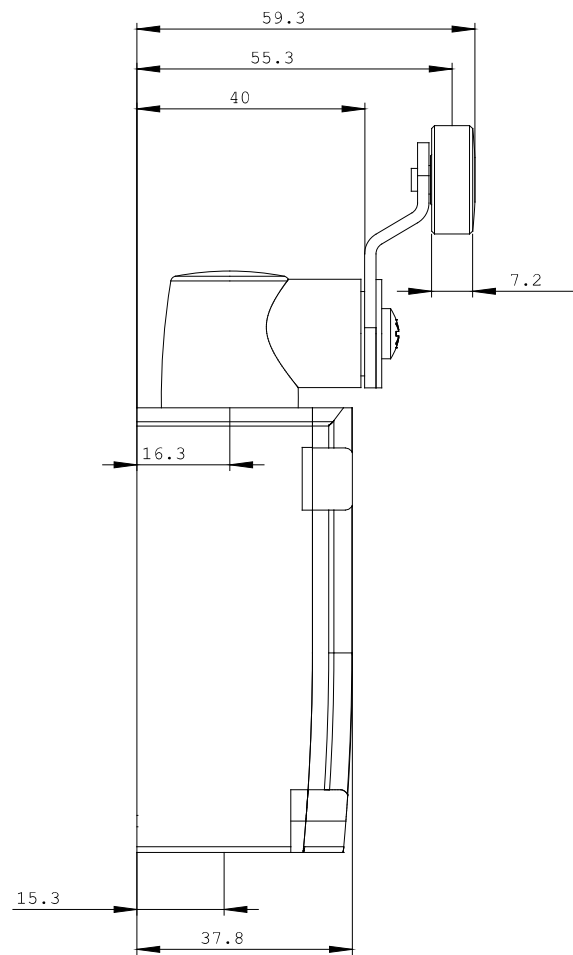
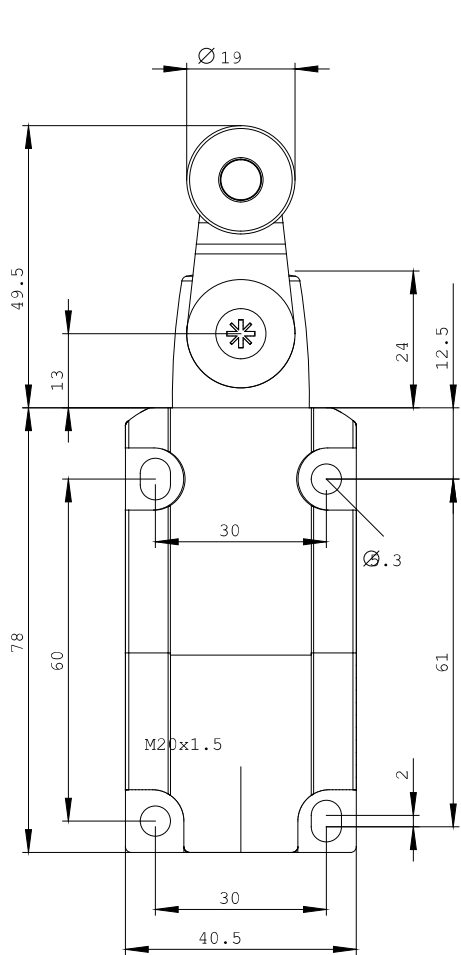
**Information- and Downloadcenter (Catalogs, Brochures,...)**  
<http://www.siemens.com/industrial-controls/catalogs>

**Industry Mall (Online ordering system)**  
<http://www.siemens.com/industrymall>

**Cax online generator**  
<http://www.siemens.com/cax>

**Service&Support (Manuals, Certificates, Characteristics, FAQs,...)**  
<http://support.automation.siemens.com/WW/view/en/3SE5132-0CJ01/all>

**Image database (product images, 2D dimension drawings, 3D models, device circuit diagrams, ...)**  
[http://www.automation.siemens.com/bilddb/cax\\_en.aspx?mlfb=3SE5132-0CJ01](http://www.automation.siemens.com/bilddb/cax_en.aspx?mlfb=3SE5132-0CJ01)



last change:

Jul 24, 2014