






SEPARATE ACTUATOR,
 UNIVERSAL RADIUS ACTUATOR 'HEAVY DUTY'
 VERSION VERTICALLY AND HORIZONTALLY
 ADJUSTABLE,
 L= 67 MM FOR POSITION SWITCHES WITH TUMBLER
 3SE5312../3SE5322.. AND ASI 3SF13... AND POSITION
 SWITCHES WITH SEPARATE ACTUATOR 3SE51../
 3SE52.. AND ASI - WITH SEPARATE ACTUATOR
 3SF11../3SF12..

General technical data:

Product designation		actuator
Mechanical operating cycles as operating time		
• typical		1,000,000
Resistance against vibration		0.35 mm / 5g
Resistance against shock		30g / 11 ms
Ambient temperature		
• during operating	°C	-25 ... +85
• during storage	°C	-40 ... +90
Design of the operating mechanism		universal actuator
mounting position		any
Reference code		
• according to DIN 40719 extended according to IEC 204-2 / according to IEC 750		E
• according to DIN EN 61346-2		T

Certificates/ approvals:

General Product Approval	Declaration of Conformity	Test Certificates	other
 	 	Special Test Certificate	Confirmation

Further information:

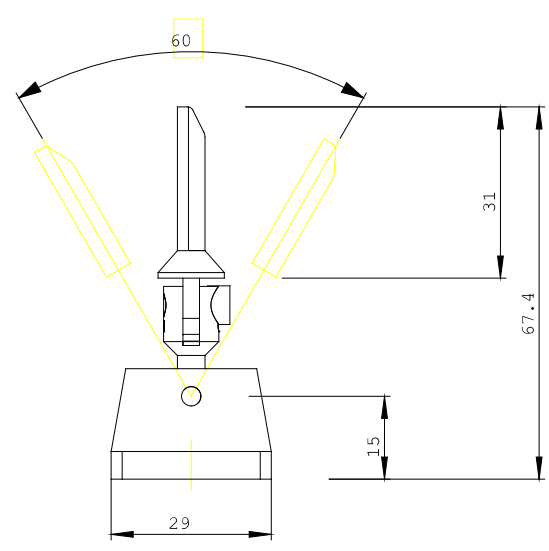
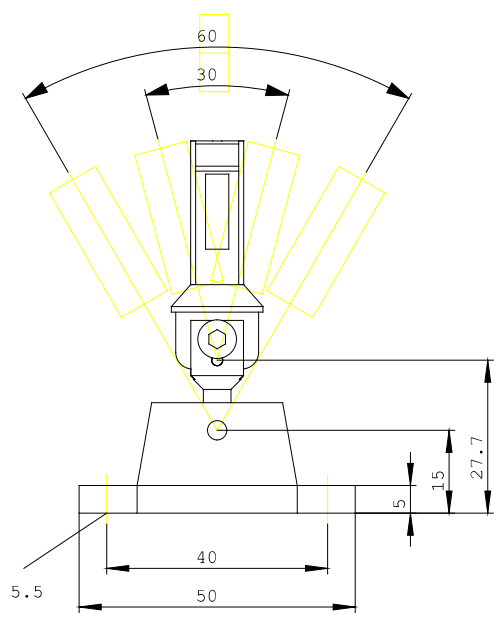
Information- and Downloadcenter (Catalogs, Brochures,...)
<http://www.siemens.com/industrial-controls/catalogs>

Industry Mall (Online ordering system)
<http://www.siemens.com/industrial-controls/mall>

Cax online generator
<http://www.siemens.com/cax>

Service&Support (Manuals, Certificates, Characteristics, FAQs,...)
<http://support.automation.siemens.com/WW/view/en/3SE5000-0AV07-1AK2/all>

Image database (product images, 2D dimension drawings, 3D models, device circuit diagrams, ...)
http://www.automation.siemens.com/bilddb/cax_en.aspx?mlfb=3SE5000-0AV07-1AK2



last change:

Jun 16, 2014