



ACTUATOR HEAD FOR POSITION SWITCH 3SE51/52
ROLLER LEVER W. STAINLESS STEEL LEVER AND
STAINLESS STEEL ROLLER 22MM

General technical data:		
Product designation		actuator head for position switch
Explosion protection category for dust		none
Mechanical operating cycles as operating time • typical		15,000,000
Resistance against vibration		0.35 mm / 5g
Resistance against shock		30g / 11 ms
Ambient temperature • during operating • during storage	°C	-25 ... +85 °C -40 ... +90
Material / of the enclosure • of the switch head		metal
Design of the operating mechanism		stainless steel lever, stainless steel roller
Minimum actuating force / in activation direction	N	10
mounting position		any
Reference code • according to DIN 40719 extended according to IEC 204-2 / according to IEC 750 • according to DIN EN 61346-2		E T

Certificates/ approvals:

General Product Approval	Declaration of Conformity	Test Certificates	other
  	 EG-Konf.	Special Test Certificate	Confirmation

Further information:

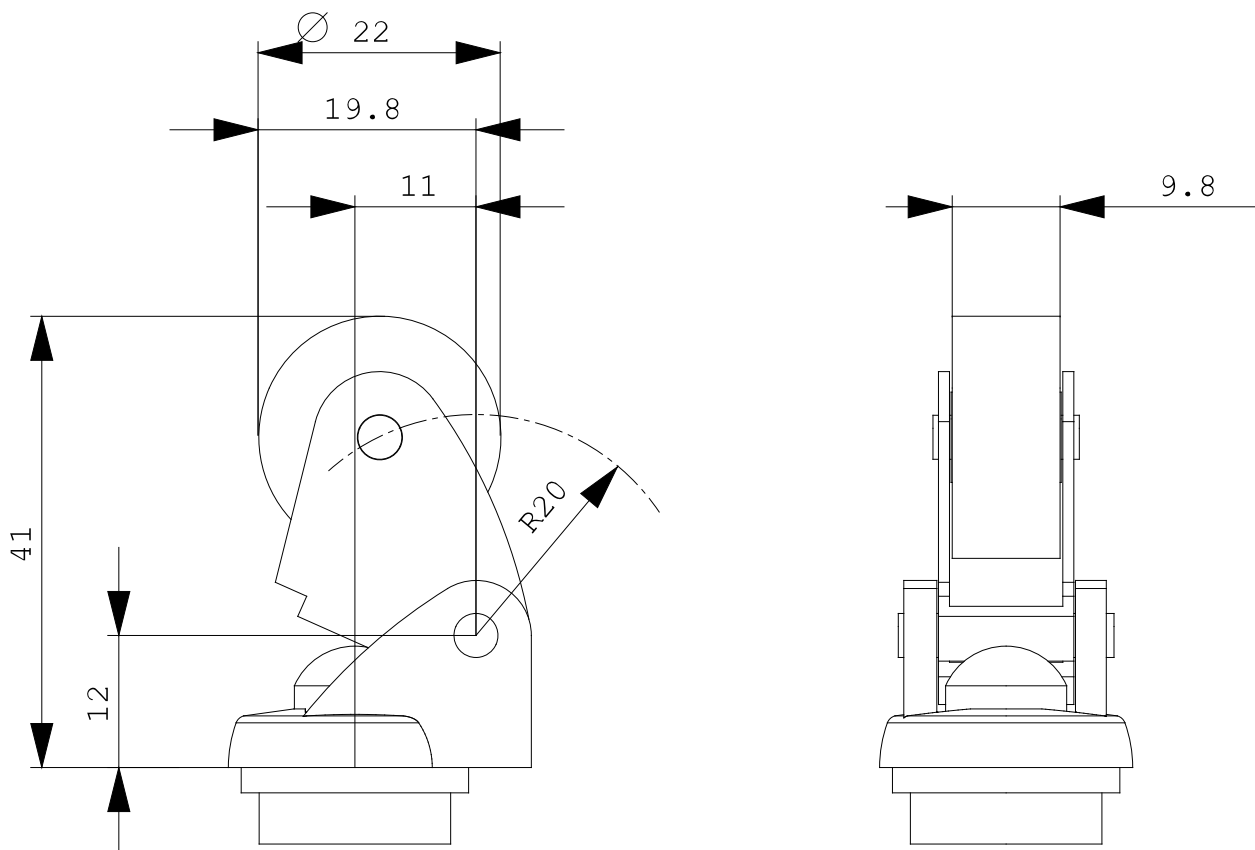
Information- and Downloadcenter (Catalogs, Brochures,...)
<http://www.siemens.com/industrial-controls/catalogs>

Industry Mall (Online ordering system)
<http://www.siemens.com/industrial-controls/mall>

Cax online generator
<http://www.siemens.com/cax>

Service&Support (Manuals, Certificates, Characteristics, FAQs,...)
<http://support.automation.siemens.com/WW/view/en/3SE5000-0AE04/all>

Image database (product images, 2D dimension drawings, 3D models, device circuit diagrams, ...)
http://www.automation.siemens.com/bilddb/cax_en.aspx?mlfb=3SE5000-0AE04



last change: Jun 16, 2014