




BENT,
LENGTH-ADJUSTABLE TWIST LEVER FOR POSITION
SWITCH 3SE51 WITH PLASTIC ROLLER 22MM INCL.
ADAPTER AND SCREW

General technical data:		
Product designation		actuator for part-turn actuator
Explosion protection category for dust		none
Mechanical operating cycles as operating time		15,000,000
<ul style="list-style-type: none"> • typical 		
Resistance against vibration		0.35 mm / 5g
Resistance against shock		30g / 11 ms
Ambient temperature		
<ul style="list-style-type: none"> • during operating 	°C	-25 ... +85
<ul style="list-style-type: none"> • during storage 	°C	-40 ... +90
Design of the operating mechanism		Metal lever adjustable length, bent, plastic roller 22 mm
mounting position		any
Reference code		
<ul style="list-style-type: none"> • according to DIN 40719 extended according to IEC 204-2 / according to IEC 750 		E
<ul style="list-style-type: none"> • according to DIN EN 61346-2 		T

Certificates/ approvals:

General Product Approval	Declaration of Conformity	other
 CSA		 UL  EG-Konf. Confirmation

Further information:

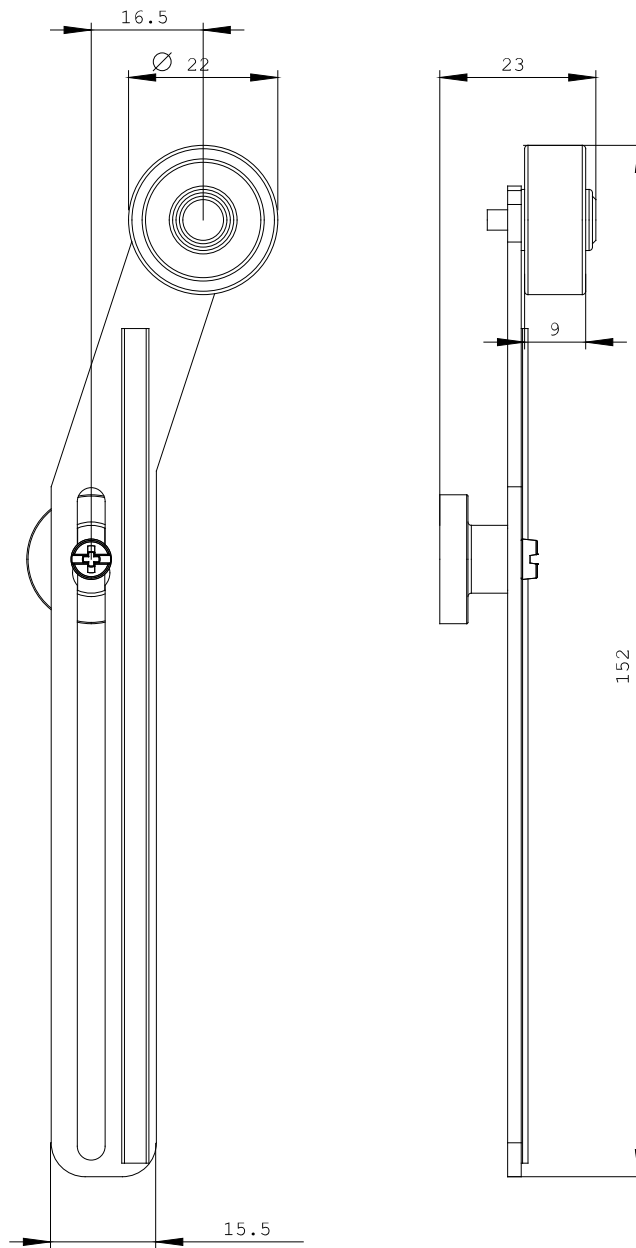
Information- and Downloadcenter (Catalogs, Brochures,...)
<http://www.siemens.com/industrial-controls/catalogs>

Industry Mall (Online ordering system)
<http://www.siemens.com/industrial-controls/mall>

Cax online generator
<http://www.siemens.com/cax>

Service&Support (Manuals, Certificates, Characteristics, FAQs,...)
<http://support.automation.siemens.com/WW/view/en/3SE5000-0AA56/all>

Image database (product images, 2D dimension drawings, 3D models, device circuit diagrams, ...)
http://www.automation.siemens.com/bilddb/cax_en.aspx?mlfb=3SE5000-0AA56



last change:

Jun 16, 2014