



LENGTH-ADJUSTABLE TWIST LEVER FOR POSITION SWITCH 3SE51/52 METAL LEVER 100MM LONG STAINLESS STEEL ROLLER 19MM

General technical data:		
<b>Product designation</b>		actuator for part-turn actuator
<b>Explosion protection category for dust</b>		none
<b>Mechanical operating cycles as operating time</b> • typical		15,000,000
<b>Resistance against vibration</b>		0.35 mm / 5g
<b>Resistance against shock</b>		30g / 11 ms
<b>Ambient temperature</b> • during operating • during storage	°C	-25 ... +85 -40 ... +90
<b>Design of the operating mechanism</b>		metal lever, adjustable length, stainless steel roller 19 mm
<b>mounting position</b>		any
<b>Reference code</b> • according to DIN 40719 extended according to IEC 204-2 / according to IEC 750 • according to DIN EN 61346-2		E T

**Certificates/ approvals:**

General Product Approval	Declaration of Conformity	Test Certificates	other
 	 	<a href="#">Special Test Certificate</a>	<a href="#">Confirmation</a>

**Further information:**

**Information- and Downloadcenter (Catalogs, Brochures,...)**

<http://www.siemens.com/industrial-controls/catalogs>

**Industry Mall (Online ordering system)**

<http://www.siemens.com/industrial-controls/mall>

**Cax online generator**

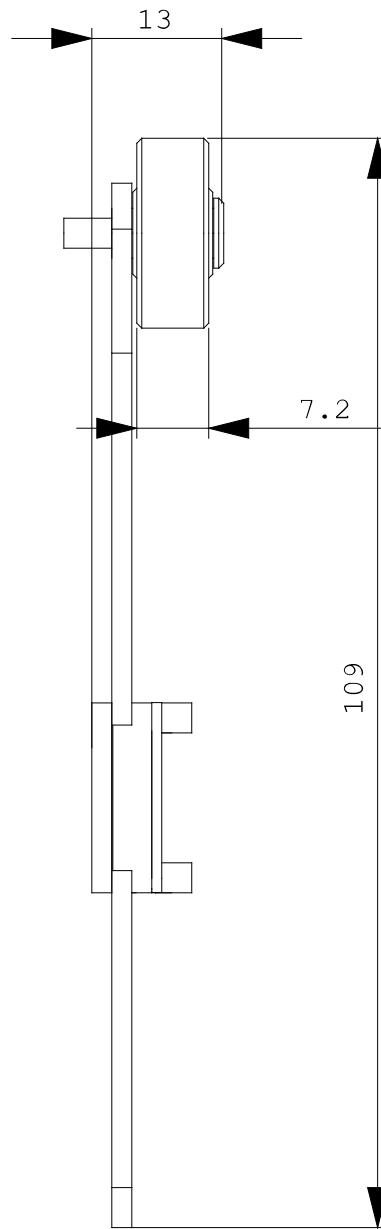
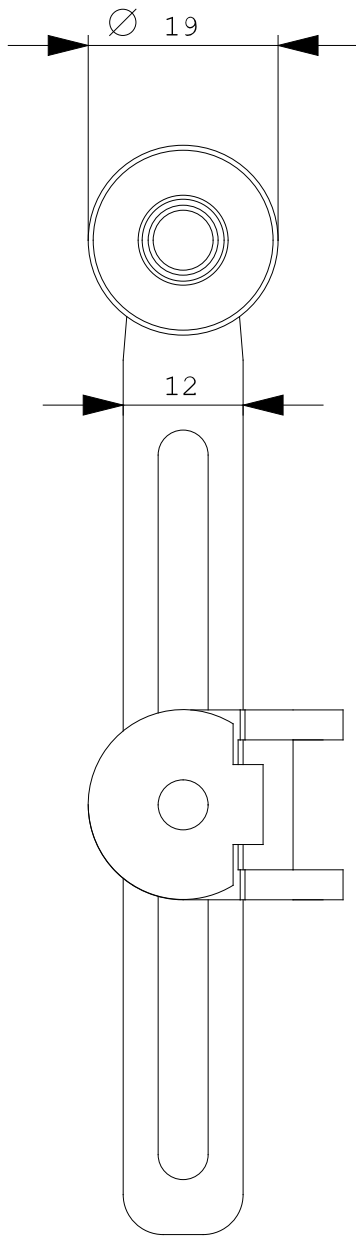
<http://www.siemens.com/cax>

**Service&Support (Manuals, Certificates, Characteristics, FAQs,...)**

<http://support.automation.siemens.com/WW/view/en/3SE5000-0AA51/all>

**Image database (product images, 2D dimension drawings, 3D models, device circuit diagrams, ...)**

[http://www.automation.siemens.com/bilddb/cax\\_en.aspx?mlfb=3SE5000-0AA51](http://www.automation.siemens.com/bilddb/cax_en.aspx?mlfb=3SE5000-0AA51)



last change:

Jun 16, 2014