



TWIST LEVER FOR POSITION SWITCH 3SE51 METAL LEVER,  
FORM A 27MM LONG,STEP 9MM,  
W. STAINLESS STEEL ROLLER 19MM

General technical data:		
<b>Product designation</b>		actuator for part-turn actuator
<b>Explosion protection category for dust</b>		none
<b>Mechanical operating cycles as operating time</b> • typical		15,000,000
<b>Resistance against vibration</b>		0.35 mm / 5g
<b>Resistance against shock</b>		30g / 11 ms
<b>Ambient temperature</b> • during operating • during storage	°C	-25 ... +85 °C -40 ... +90
<b>Design of the operating mechanism</b>		metal lever, 27 mm long, step 9 mm, stainless steel roller 19 mm
<b>mounting position</b>		any
<b>Reference code</b> • according to DIN 40719 extended according to IEC 204-2 / according to IEC 750 • according to DIN EN 61346-2		E T

Certificates/ approvals:

General Product Approval

Declaration of  
Conformity

Test Certificates



[Special Test  
Certificate](#)

other

[Confirmation](#)

[Vibration Test  
Certificates](#)

#### Further information:

**Information- and Downloadcenter (Catalogs, Brochures,...)**

<http://www.siemens.com/industrial-controls/catalogs>

**Industry Mall (Online ordering system)**

<http://www.siemens.com/industrial-controls/mall>

**Cax online generator**

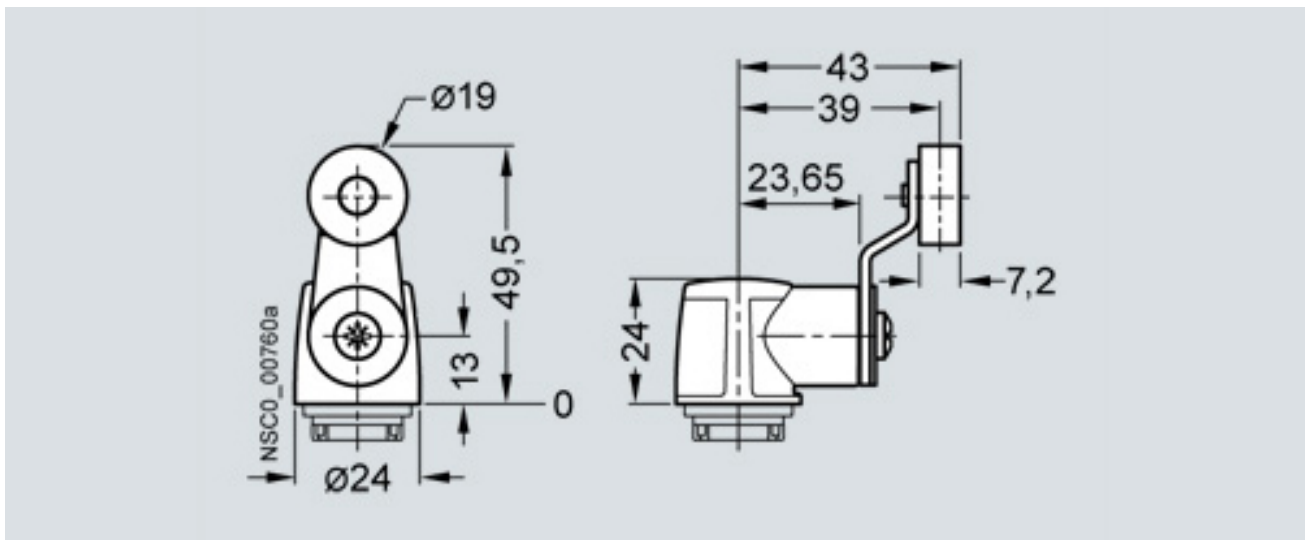
<http://www.siemens.com/cax>

**Service&Support (Manuals, Certificates, Characteristics, FAQs,...)**

<http://support.automation.siemens.com/WWW/view/en/3SE5000-0AA02/all>

**Image database (product images, 2D dimension drawings, 3D models, device circuit diagrams, ...)**

[http://www.automation.siemens.com/bilddb/cax\\_en.aspx?mlfb=3SE5000-0AA02](http://www.automation.siemens.com/bilddb/cax_en.aspx?mlfb=3SE5000-0AA02)



last change:

Jun 16, 2014