

FOOT-OPERATED SWITCH MOULDED-PLASTIC  
ENCLOSURE PEDAL PUSHBUTTON,  
ONE PEDAL, WITH COVER, 1 CO



General technical details:		
Product designation		momentary-contact foot switch
Product equipment / interlock		No
Product equipment / notch		No
Product component / covering		Yes
Operating current / at AC-15 / at 230 V / rated value	A	5
Number of switching steps		1
Nature of command		on or off
Reference code / according to DIN 40719 extended according to IEC 204-2 / according to IEC 750		S
Reference code / according to DIN EN 61346-2		S
Mounting type		screw fixing
Width	mm	155
Height	mm	152
Depth	mm	115
Enclosure:		
Material / of the enclosure		plastic with total insulation
Color		enclosure black, cover grey
Color / of the housing		black
Color / of top part of the enclosure		grey

Cable gland version		cable, 3 m
---------------------	--	------------

**Drive Head:**

Number of the activation pedals		1
---------------------------------	--	---

**Contact:**

Number of NC contacts / for auxiliary contacts		0
Number of NO contacts / for auxiliary contacts		0
Number of changeover contacts / for auxiliary contacts		1

**Ambient conditions:**

Protection class IP		IP65
Ambient temperature		
• during operating	°C	75 ... -10

**Certificates/approvals:**

Suitability for use / safety cut-out switch		No
---	--	----

**Certificates/approvals:**

<b>General Product Approval</b>	<b>Declaration of Conformity</b>
---------------------------------	----------------------------------



EG-Konf.

<b>Shipping Approval</b>	<b>other</b>
--------------------------	--------------



ABS



LRS



PRS



RINA

[Confirmation](#)

[other](#)

**Further information:**

**Information- and Downloadcenter (Catalogs, Brochures,...)**

<http://www.siemens.com/industrial-controls/catalogs>

**Industry Mall (Online ordering system)**

<http://www.siemens.com/industrial-controls/mall>

**CAX-Online-Generator**

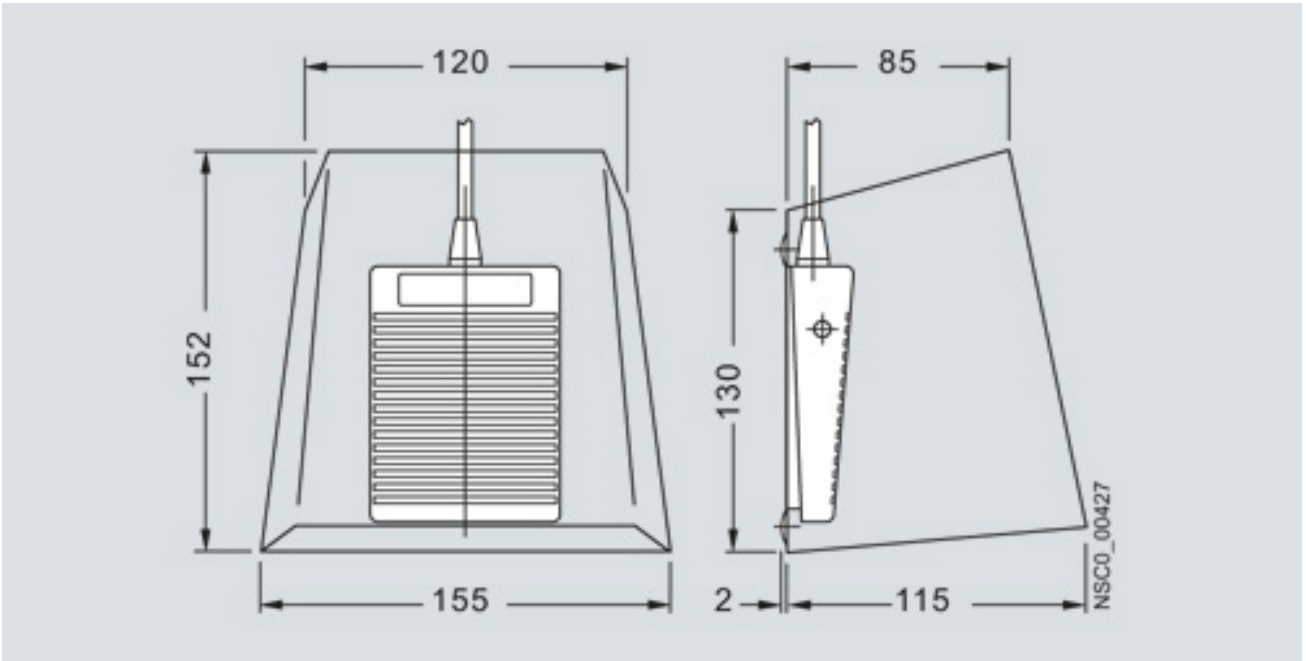
<http://www.siemens.com/cax>

**Service&Support (Manuals, Certificates, Characteristics, FAQs,...)**

<http://support.automation.siemens.com/WW/view/en/3SE3902-4CA20/all>

**Image database (product images, 2D dimension drawings, 3D models, device circuit diagrams, ...)**

[http://www.automation.siemens.com/bilddb/cax\\_en.aspx?mlfb=3SE3902-4CA20](http://www.automation.siemens.com/bilddb/cax_en.aspx?mlfb=3SE3902-4CA20)



last change:

Jan 21, 2013