



- Design aluminium suspension system
- Closed profile system / profile with free accessible cable duct
- Can be combined with all control enclosures

Included delivery:

System individual components incl. cable duct cover and assembly material.

Technical data

Material:

connecting tube: DIN EN 573 EN AW-ALMgSi
components: DIN EN 1706 EN AC-AISI 12 (Fe)
cover profile: plastic TPE

Seal:

CR- and/or PU-foam

Painting:

powder coating

Colour:

tube, components: RAL 7035, light grey
cover profile: RAL 9005, jet black

Ingress protection:













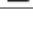




IP 54 to EN 60529

Free cable passage:

connecting tube:
profile open 27 x 32 mm
profile closed 51 mm diameter
system components: 51 mm diameter

Suspension system GTN II

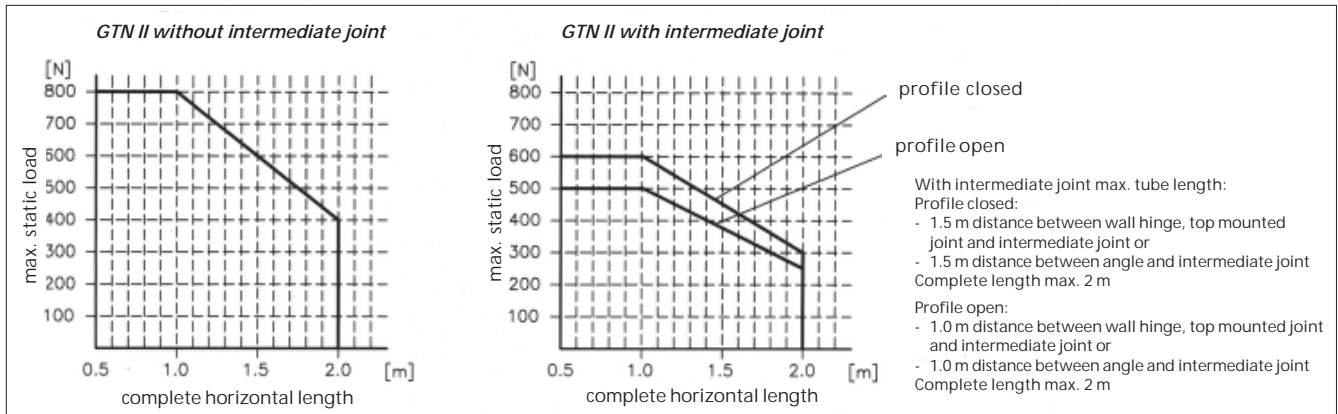
Programme range

		Order No.	Weight (kg)
Top mounted joint		49.47 66 00	3.9
Top mounted joint light*		49.47 66 01	3.9
Wall hinge		49.47 70 00	4.2
Wall hinge light*		49.47 70 01	4.2
Wall hinge, hanging		49.47 70 20	4.2
Angle		49.47 71 00	0.9
Angle GTN II / GTK electronic		49.47 71 45	0.9
Coupling		49.47 73 00	2.0
Angle coupling		49.47 75 00	2.5
Intermediate joint "Z"		49.47 67 00	3.8
Intermediate joint "Z" light*		49.47 67 01	3.8
Intermediate joint "S"		49.47 67 02	3.8
Intermediate joint "S" light*		49.47 67 03	3.8
Foot stand fixed		49.47 72 00	1.0
Turnable foot stand with adapter plate		49.47 72 20	3.3
Turnable foot stand		49.47 72 21	1.7
Turnable foot stand light*		49.47 72 22	3.4
Console flange 15°		49.47 76 00	1.1
Inclining adapter		49.47 80 00	1.8
Column, length max. 2,0 m (please specify individual length)		49.47 00 04 8	individual length
Flat panel adapter		49.47 90 01	3.0
Spare cover profile 2.5 m		49.45 69 00	0.35
Adjustment set		49.47 00 06	0.1

* light: can be used for control units with low load (up to 30 kg/2 m) with lower swivel force.

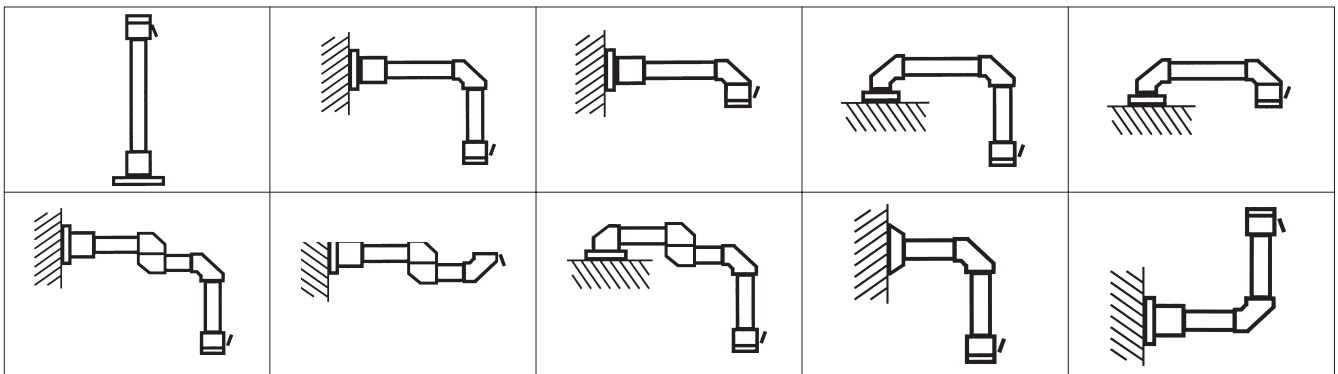
Aluminium profile	Profile open	Weight (kg)	Profile closed	Weight (kg)
Standard length: 0,5 m	49.47 10 01	3.0	49.47 20 01	3.0
Standard length: 1 m	49.47 10 02	6.0	49.47 20 02	6.0
Standard length: 2 m	49.47 10 03	12.0	49.47 20 03	12.0
Variable length (please state)	49.47 10 99		49.47 20 99	

Load diagram



Note: the vertical length of the profile is responsible for the load of the complete suspension system (lever arm!).
 Further information for this on request. The values in the above load diagram are guilty to an execution hanging or standing.
 The declarations of weight are a summary from installation weight, Commander and all components and tubes between Commander and angle.

System assembly



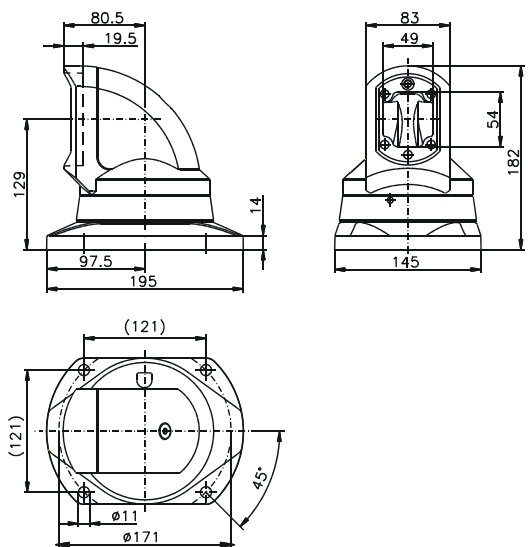
Fastening bar "Red Bar"

Suspension system GTN II



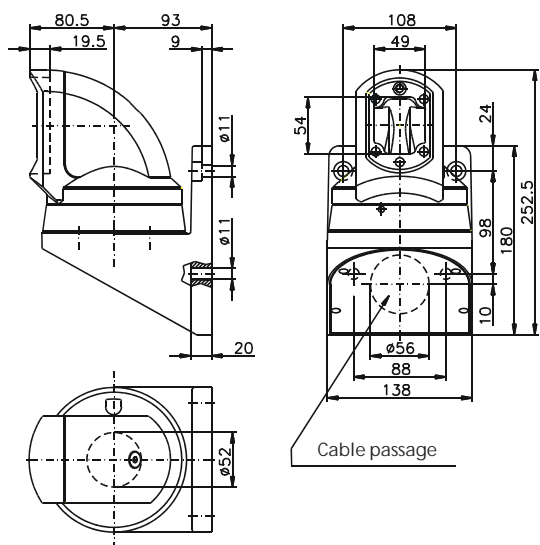
Top mounted joint
Diecast aluminium, swivel range 310°

Order No.	
49.47 66 00	GTN II
49.47 66 01	GTN II light



Wall hinge
Swivel range 230°

Order No.	
49.47 70 00	GTN II
49.47 70 01	GTN II light
49.47 70 20	GTN II hanging

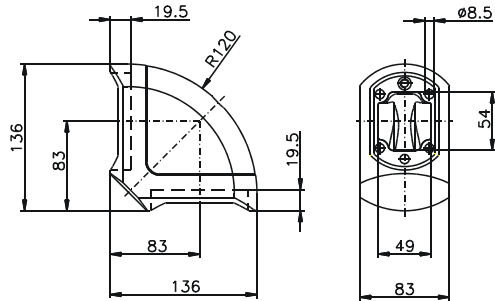




Angle GTN II

Diecast aluminium, angle 90°, incl. lid

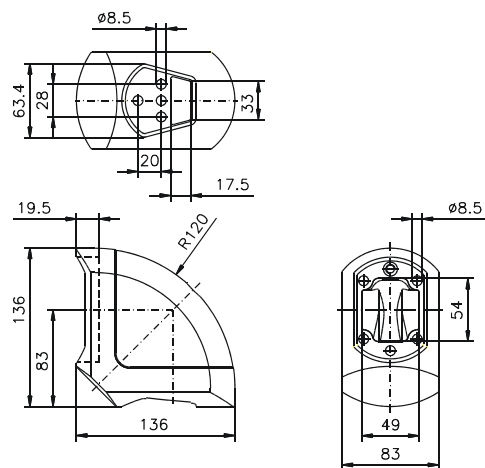
Order No. 49.47 71 00



Angle GTN II / GTK electronic

To combine GTN II and GTK electronic

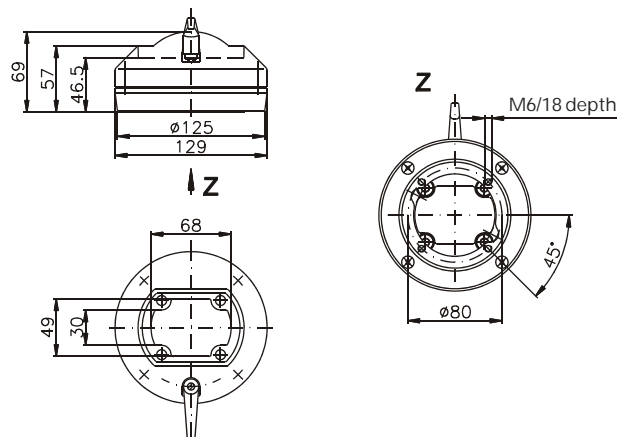
Order No. 49.47 71 45



Coupling

Diecast aluminium, coupling mounting from inner side of enclosure, screws outside not viewable, swivel range 330°, continuously variable by release handle.

Order No. 49.47 73 00



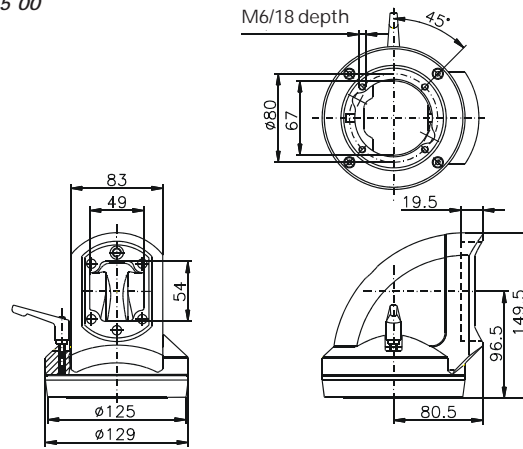
Suspension system GTN II



Angle coupling

Diecast aluminium, coupling mounting from inner side of enclosure, swivel range 320°, continuously variable by release handle

Order No. 49.47 75 00



Intermediate joint

Diecast aluminium, swivel range 310°

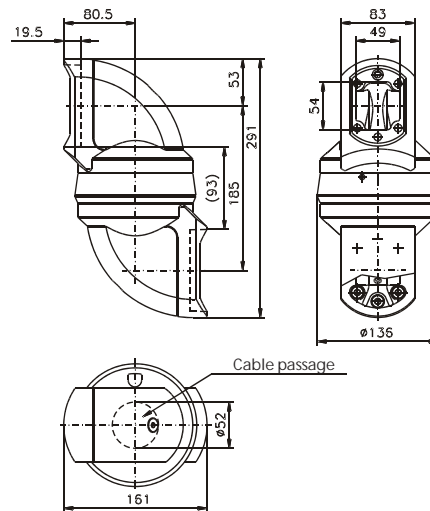
Order No.

49.47 67 00 GTN II "Z"

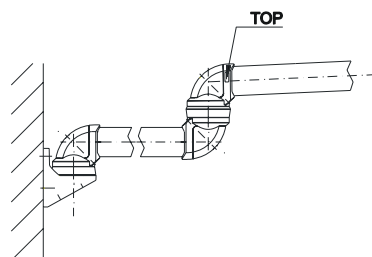
49.47 67 01 GTN II "Z" light

49.47 67 02 GTN II "S"

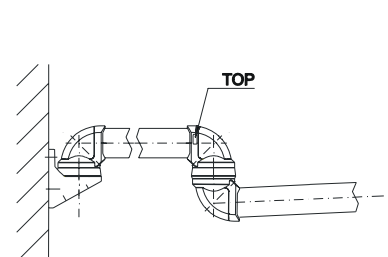
49.47 67 03 GTN II "S" light



Intermediate joint S



Intermediate joint Z

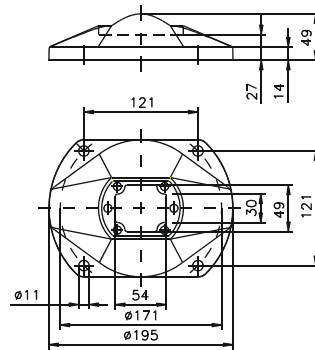




Foot stand fixed

Diecast aluminium, fix version for ground mounting or wall mounting

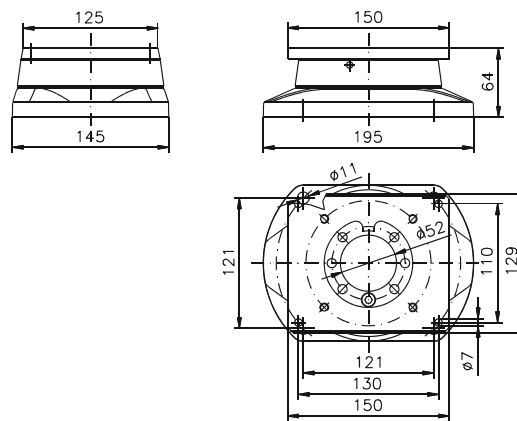
Order No. 49.47 72 00



Turnable foot stand with adapter plate

Diecast aluminium with adjustable stop position between machine and control panel

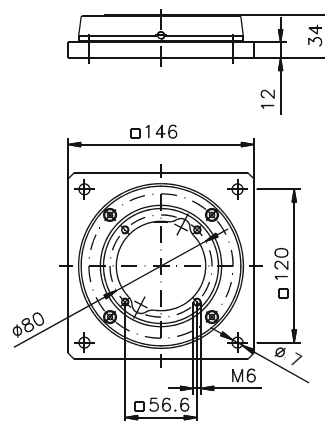
Order No. 49.47 72 20



Turnable foot stand

Diecast aluminium with adjustable stop position between machine and control panel

Order No. 49.47 72 21

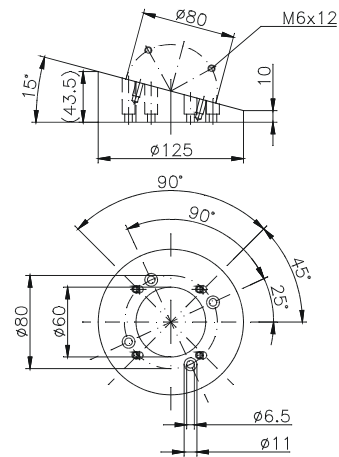


Suspension system GTN II



Console flange 15°
Aluminium

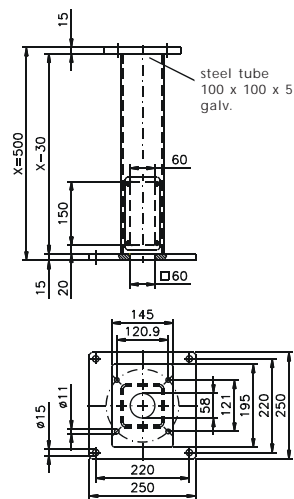
Order No. 49.47 76 00



Column

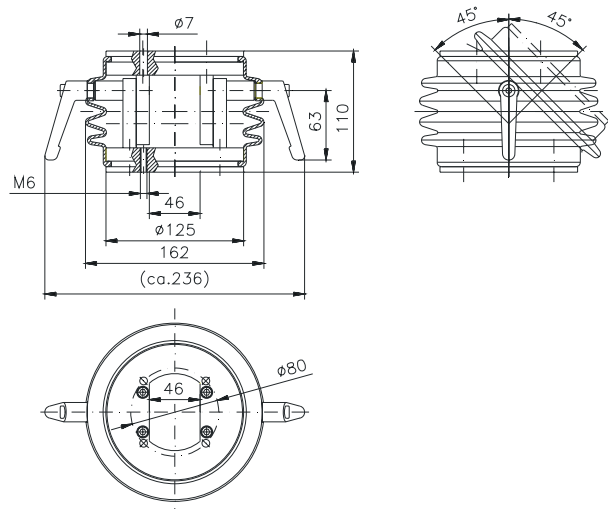
Steel, painted, length individually up to 2 m, including adapter plate for GTN II top mounted joint, at bottom side flange outlet

Order No. 49.47 00 04 8 (specify total length)



Inclining adapter GTN II

Order No. 49.47 80 00

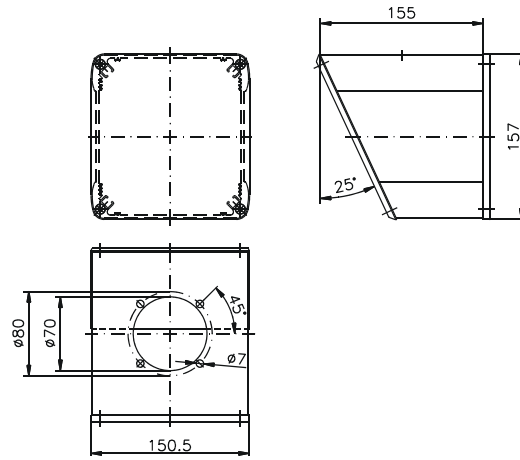




Flat panel adapter

aluminium profile for rear connection of GTN II to flat panels

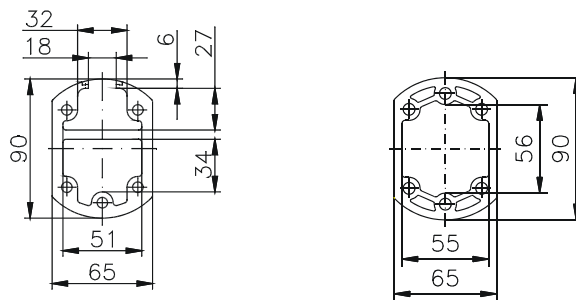
Order No. 49.47 90 01



Connecting tube

Extruded aluminium sheath, open version with integrated cable channel with black rubber cover

Order No. and length see page 78



Profile open

Profile closed

Suspension system GTN II

Applications

