
Polyester / ABS cabinets

Applications





- Enclosure system with hinged lid for MCR technology
- Standard version or with window or transparent door (ABS)

Technical data

Material:

glass fibre reinforced polyester / ABS

Colour:

Polyester: pebble grey, similar to RAL 7032

ABS: light grey, similar to RAL 7035

Ingress protection:

IP 65 to EN 60529

Impact resistance:

> 7 Joule, EN 50014

Flammability:

Polyester: V0 / self-extinguishing, UL 94

ABS: HB / UL 94

Temperature range:

Polyester: -55°C to +90°C

with window: -55°C to +80°C

ABS: -40°C to +70°C

Insulation:

full protective insulation to VDE 0100

Dielectric strength:

Polyester: 26 KV/mm, VDE 0303/DIN 53481

ABS: 24 KV/mm, VDE 0303/DIN 53481

Toxicity:

free of halogen

Surface resistance:

Polyester: 4×10^{15} Ohm, VDE 0303/DIN 53481

ABS: 4×10^{14} Ohm, VDE 0303/DIN 53482

Water absorption:

max. 0,2 %, DIN 53495 / ISO R 62

Door opening angle:

135°

Included in delivery

Enclosure consisting of base and door, order door lock separately, base with threaded inserts for internal and external mounting

Polyester / ABS cabinets

Programme range

	Dimensions (mm) W x L x H	ABS	ABS with transparent door	GFK	GFK with window
Size 1	200 x 250 x 150	21.20 25 90	22.20 25 90	-	-
Size 2	250 x 300 x 170	21.25 30 90	22.25 30 90	-	-
Size 1	199 x 248.5 x 149	-	-	21.20 25 00	22.20 25 00
Size 2	248.5 x 298 x 166	-	-	21.25 30 00	22.25 30 00

Note: Enclosure supplied without lock, please order separately.

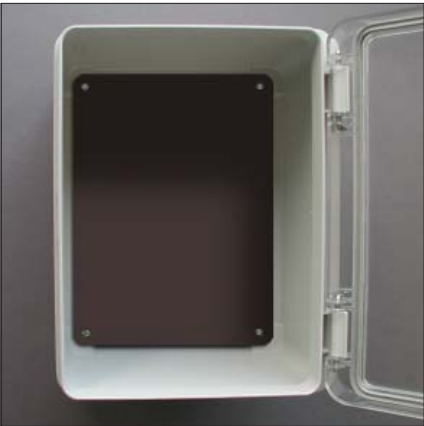
Optional lock (detached)

Triangular lock 8 mm (1 pc.)	21.62 00 03
Square lock 8 mm (1 pc.)	21.62 00 04
Knob (1 pc.)	21.62 00 01
Knob with lock (1 pc.)	21.62 00 02

Accessories (detached)

Mounting plate for size 1 (hard paper)	10.01 12 05
Mounting plate for size 2 (hard paper)	10.01 12 06
Internal aluminium front plate with stud bolt for size 1	10.01 31 01
Internal aluminium front plate with stud bolt for size 2	10.01 31 02
External mounting brackets (4 pcs.)	10.03 10 10
Hole covers for fastening through the cabinet bottom (4 pcs.)	10.03 90 02
Socket spanner, triangular 8 mm	10.04 70 03
Socket spanner, square 8 mm	10.04 70 04

Accessories



Mounting plate

Order No.	A	B	C	D	for type
10.01 12 05	173	234	155	210	21.20 25
10.01 12 06	221	284	205	260	21.25 30



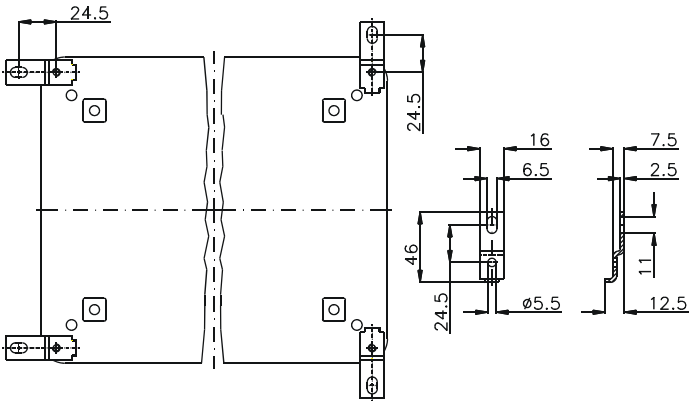
Internal front plate with stud bolt

Order No.	A	B	C	D	for type
10.01 31 01	173	234	155	210	21.20 25
10.01 31 02	221	284	205	260	21.25 30



External brackets

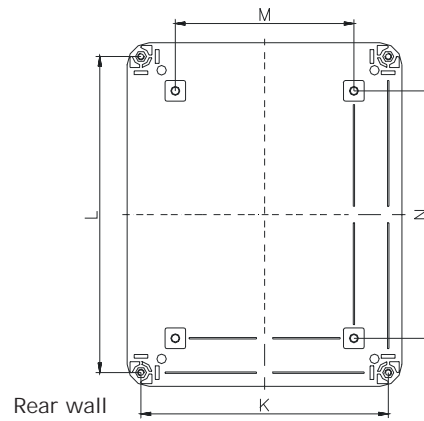
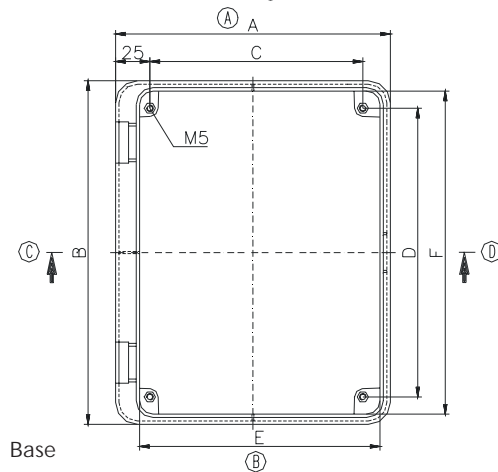
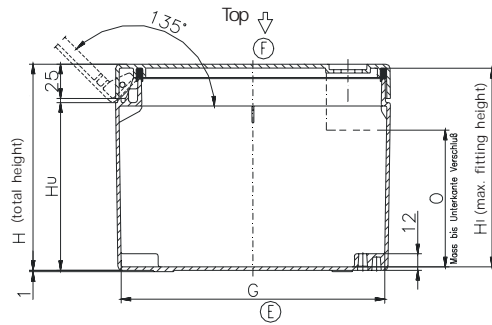
Order No. 10.03 10 10



Polyester / ABS cabinets

Dimensions

Type	A	B	C	D	E	F	G	K	L	M	M	O	H _I	H _U	H _{Ges}
21./22.20 25 00	199	248.5	154	209	174.5	236.5	193	179	229.2	129.4	179	100.1	145	121	149
21./22.25 30 00	248.5	298	204	259	222.5	284	242.5	228.1	227.5	179.5	228.8	119.7	165	141	166
21./22.20 25 90	200	250	155	210	174	236.5	194	180	230	130	180	99.5	144	122	150
21./22.25 30 90	250	300	205	260	223	285	243	230	280	180	230	119	164	142	170



Window (with polyester version)

Type	A	B	C	D
21.20 25	100	192	38	29
21.25 30	145	242	43	29

