



Technical data

Material:

glass fibre reinforced duroplastic polyester
transparent lid: polycarbonate

Colour:

RAL 7032, pebble grey

Ingress protection:

IP 66 to EN 60529

Impact resistance:

7 Joule to EN 60079-0

Flammability:

enclosure: V0 / self-extinguishing, UL 94
transparent lid: V2 / UL 94

Insulation:

fully insulated VDE 0100

Disruptive strength:

enclosure: 24KV/mm / IEC 60243-1
transparent lid: >30 KV/mm / IEC 60243-1

Toxicity:

halogen-free

Surface resistance:

enclosure: $>10^{11}$ Ohm / IEC 60093
transparent lid: $>10^{15}$ Ohm / IEC 60093

Temperature range:

PU (polyurethane) seal:
-40°C to +90°C (enclosure)
-40°C to +100°C (lid)
CR (chloroprene) seal: -40°C to +100°C
VMQ (silicone) seal: -60°C to +130°C

- Plastic enclosure with flange openings for automation engineering
- Combination options with other polyester flange enclosures
- Snap lock technology

Included in delivery

Plastic enclosure in glass fibre reinforced polyester, consisting of lid, seal, plastic quick-release lock screws, base with flange openings.

(Please order flange plate separately)
Threaded insert set (4 pcs.)

Polyester Flange

Programme range

Order No.	W x L x H (mm)	Flange openings	Mounting plate	Front plate on stud bolt	DIN rail* TS 35	Earthing rail	Silicone lid seal
14.01 00 00	170 x 270 x 136	2	14.00 00 11	14.00 00 27	10.06 17 21	10.06 21 01	10.05 15 01
14.02 00 00	270 x 270 x 136	4	14.00 00 12	14.00 00 28	10.06 17 22	10.06 21 01	10.05 15 02
14.03 00 00	270 x 541 x 136	6	14.00 00 13	14.00 00 29	10.06 17 23	10.06 21 02	10.05 15 03
Version with polycarbonate transparent lid							
14.01 00 01	170 x 270 x 150	2	14.00 00 11	14.00 00 27	10.06 17 21	10.06 21 01	10.05 15 01
14.02 00 01	270 x 270 x 150	4	14.00 00 12	14.00 00 28	10.06 17 22	10.06 21 01	10.05 15 02
14.03 00 01	270 x 540 x 150	6	14.00 00 13	14.00 00 29	10.06 17 23	10.06 21 02	10.05 15 03

* TS 32 on request

Flange and accessories (for all types)

Blind flange (for individual machining)	14.00 00 20	External mounting brackets (4 pcs.)	10.03 11 02
Threaded flange (17 x PG 11)	14.00 00 30	Threaded inserts (10 pcs.), additional	10.03 50 02
Threaded flange (14 x PG 13,5)	14.00 00 22	Silicone seal for flanges	10.05 14 02
Threaded flange (11 x PG 16)	14.00 00 21	Silicone seal for connection flange	10.05 14 03
Threaded flange (4 x PG 16; 2 x PG 21; 1 x PG 29)	14.00 00 23		
Connection flange	14.00 00 25		
Lid hinges (2 pcs.) retrofitting for all types	14.00 00 26		

Terminal mounting

	Phoenix											Earth conductor connections											
	X	X	X	X	X	X	X	X	X	X	X												
DIN rail TS 35	500	800	800	800	800	800	800	1000	1000	1000													
Voltage (V)	17	24	32	41	57	76	101	150	150	232													
Current (A)	1.5	2.5	2.5	4	6	10	16	35	50	95													
Nom. cross section (mm ²)	4.2	5.2	5.2	6.2	8.2	10.2	12.2	15.2	20	25													
Terminal width (mm)																							
Terminal type																							
Type	UK 1.5 N	UK 2.5 N	UK 3 N	UK 5 N	UK 6 N	UK 10 N	UK 16 N	UK 35	UKH 50	UKH 95	USLGK 1.5 N insulated yellow/green	USLGK 2.5 N insulated yellow/green	USLGK 6 N insulated yellow/green	USLGK 10 N insulated yellow/green	USLGK 16 N insulated yellow/green	USLGK 3 insulated yellow/green	USLGK 5 insulated yellow/green	USLGK 50 insulated yellow/green	USLGK 95 insulated yellow/green	Earthing bar 2.5 mm ² with cable lug max. 10 mm ²			
14.01 00 . .	55	45	45	37	28	23	19	15	11	9													
14.02 00 . .	46*	37*	37*	31*	23*	19*	15*	12*	9*	7*													
14.03 00 . .	110*	90*	90*	74*	56*	46*	38*	30*	22*	18*													

* 2 DIN rails possible

	Weidmüller										Earth conductor connections												
	X	X	X	X	X	X	X	X	X	X													
DIN rail TS 35	500	800	800	800	1000	1000	1000	1000															
Voltage (V)	24	24	32	41	57	76	125	192															
Current (A)	2.5	2.5	4	6	10	16	35	70															
Nom. cross section (mm ²)	5.1	5.1	6.1	8	10	12	16	20.5															
Terminal width (mm)																							
Terminal type																							
Type	WDU 2.5 N	WDU 2.5	WDU 4	WDU 6	WDU 10	WDU 16	WDU 35	WDU 70 N	WPE 2.5 green/yellow	WPE 4 green/yellow	WPE 6 green/yellow	WPE 10 green/yellow	WPE 16 green/yellow	WPE 35 green/yellow									
14.01 00 . .	47	47	39	29	23	19	14	11															
14.02 00 . .	39*	39*	32*	24*	19*	16*	12*	9															
14.03 00 . .	93*	93*	77*	58*	46*	38*	29*	23*															

* 2 DIN rails possible

Accessories



Blind flange
weight: 225 g

Order No.	version
14.00 00 20	without holes



Threaded flange
with pre-embossed PG holes
with metric pre-embossing on request

Order No.	version
14.00 00 30	17 x PG 11
14.00 00 22	14 x PG 13,5
14.00 00 21	11 x PG 16
14.00 00 23	4 x PG 16; 2 x PG 21; 1 x PG 29



Connection flange
to connect two polyester flange enclosures

Order No. **14.00 00 25**



Lid hinges
set = 2 pcs., retrofittable to all polyester flange enclosures

Order No. **14.00 00 26**

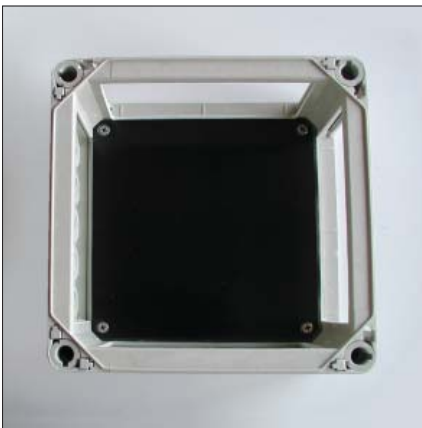
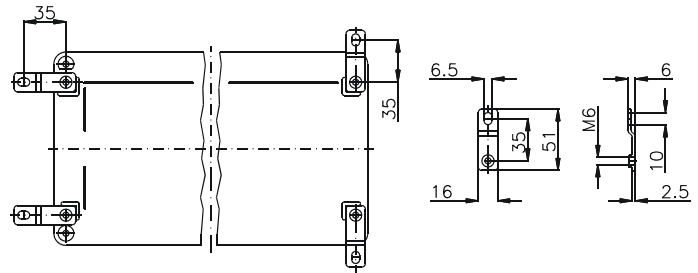
Polyester Flange

Accessories



External mounting brackets
set = 4 pcs.

Order No. **10.03 11 02**



Mounting plates
for fitting electro-mechanical components

Order No.	Type
14.00 00 11	14.01
14.00 00 12	14.02
14.00 00 13	14.03



Front plate
with stud bolts and fastening screws
(for dimensions, refer to mounting plate)

Order No.	Type
14.00 00 27	14.01
14.00 00 28	14.02
14.00 00 29	14.03

Type: **14.01 . .**

External dimensions: **170 x 270 x 136 mm**

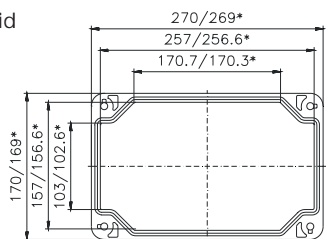
Weight: **2140 g**

DIN rail length in mm	max. fitting length in mm	Mounting plate (thickness in mm)	External mounting bracket	Lid hinges	No. of flanges		
TS 15/35	240	3	•	•	2		
255	240	3	•	•	2		

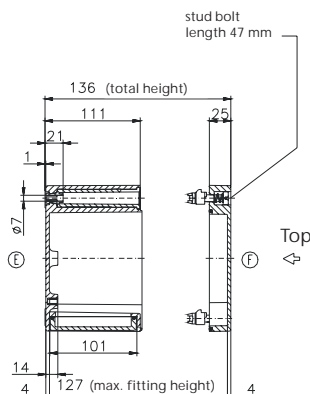
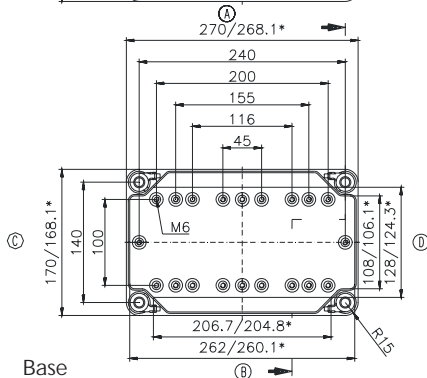
Maximum number of cable glands to *DIN 50262**

M	Corner dim.	Side		PG	Corner dim.	Side		
		A/B	C/D			A/B	C/D	
12	17.25	63	33	7	17.25	63	33	
16	25.30	28	16	9	21.85	38	20	
20	27.60	22	12	11	25.30	28	14	
25	37.95	12	6	13.5	27.60	22	12	
32	48.30	8	4	16	31.05	18	9	
40	60.95	3	2	21	37.95	11	6	
50	69.00	3	1	29	48.30	8	4	
63	74.75	2	1	36	60.95	3	2	
					42	69.00	3	1
					48	74.75	2	1

Lid



* = Conical form tapering downwards
Free dimensions-tolerance to DIN 16901 - 130



Base

Type: **14.02 . .**

External dimensions: **270 x 270 x 136 mm**

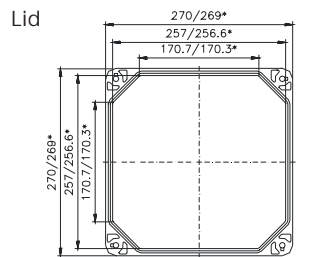
Weight: **2750 g**

DIN rail length in mm	max. fitting length in mm	Mounting plate (thickness in mm)	External mounting brackets	Lid hinges	No. of flanges		
TS 15/35	200	3	•	•	4		
215	200	3	•	•	4		

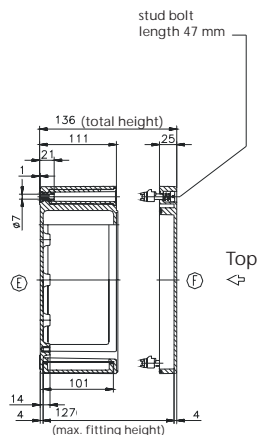
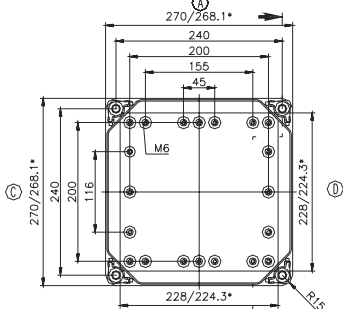
Maximum number of cable glands to *DIN 50262**

M	Corner dim.	Side		PG	Corner dim.	Side		
		A/B	C/D			A/B	C/D	
12	17.25	63	63	7	17.25	63	63	
16	25.30	28	28	9	21.85	38	38	
20	27.60	22	22	11	25.30	28	28	
25	37.95	12	12	13.5	27.60	22	22	
32	48.30	8	8	16	31.05	18	18	
40	60.95	3	3	21	37.95	11	11	
50	69.00	3	3	29	48.30	8	8	
63	74.75	2	2	36	60.95	3	3	
					42	69.00	3	3
					48	74.75	2	2

Lid



* = Conical form tapering downwards
Free dimensions-tolerance to DIN 16901 - 130



Base

Type: **14.03 . .**

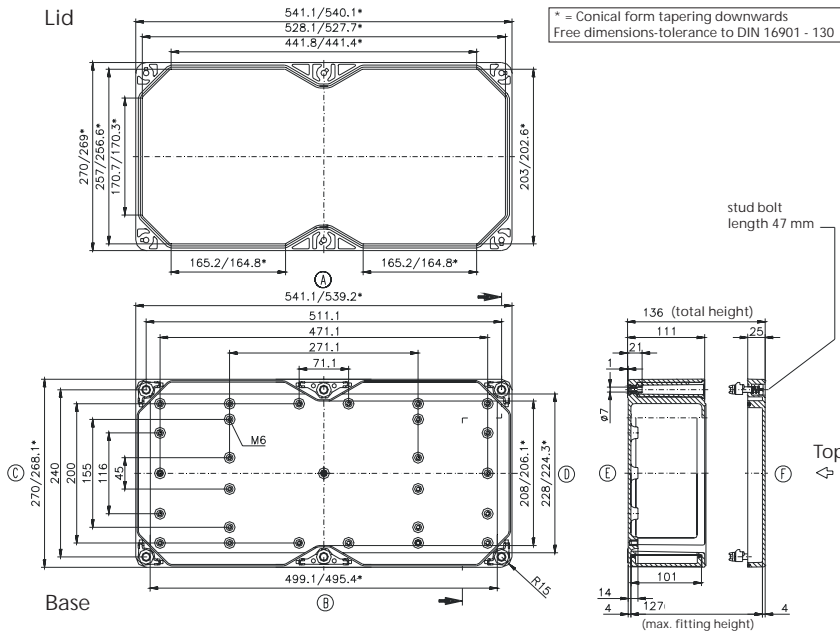
External dimensions: **270 x 541 x 136 mm**

Weight: **4800 g**

DIN rail length in mm	max. fitting length in mm	Mounting plate (thickness in mm)	External mounting brackets	Lid hinges	No. of flanges			
TS 15/35	470	3	•	•	6			
485	470	3	•	•	6			

Maximum number of cable glands to *DIN 50262**

M	Corner dim.	Side		PG	Corner dim.	Side	
		A*	C			A*	C
12	17.25	63	126	7	17.25	63	126
16	25.30	28	56	9	21.85	38	76
20	27.60	22	44	11	25.30	28	56
25	37.95	12	24	13.5	27.60	22	44
32	48.30	8	16	16	31.05	18	36
40	60.95	3	6	21	37.95	11	22
50	69.00	3	6	29	48.30	8	16
63	74.75	2	4	36	60.95	3	6
				42	69.00	3	6
				48	74.75	2	4



* per flange