



- Small control enclosure in aluminium with protective bumper bars
- Robust aluminium diecast enclosure body with front panel
- Transparent cover and handle set (optional)

Technical data

Material:

DIN EN 1706 EN AC-AISI 12 (Fe)

Ingress protection:

IP 65 to EN 60529

(with transparent cover IP 54)

Impact resistance:

7 Joule to EN 60079-0 (enclosure body)

Painting:

powder coating

Colour:

body: RAL 7038, agate grey

front frame: RAL 7043, traffic grey B

special colour on request

Temperature range:

with PU (polyurethane) seal: -40°C to +90°C

with VMQ (silicone) seal: -60°C to +130°C

with CR seal: -40°C to +100°C

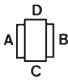
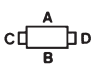
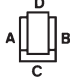
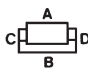
with transparent cover: -10°C to +50°C

Included in delivery:

Enclosure body with front frame and fastening screws (2 or 4 pcs.). Please order front panel separately

Commander 1

Product range

Type	Dimensions W x L x H (mm)	Enclosure without front panel	Enclosure drilled for attachment of handle, without front panel	Weight (kg)	1 set single handle for side A + B	1 set single handle for side C + D	Handling frame for side A + B	Handling frame for side C + D
								
13.05	230 x 100 x 128	13.05 00 00		2,17				
13.07	260 x 160 x 108	13.07 00 00		2,14				
13.08	360 x 160 x 108	13.08 00 00		2,73				
13.09	560 x 160 x 108	13.09 00 00		5,39				
13.10	230 x 200 x 128	13.10 00 00	13.10 10 00	3,10	13.34 00 01	13.34 00 01		13.34 10 01
13.11	230 x 200 x 198	13.11 00 00	13.11 10 00	4,10	13.34 00 01	13.34 00 01		13.34 10 01
13.12	230 x 330 x 128	13.12 00 00	13.12 10 00	4,20	13.34 00 03	13.34 00 01	13.34 12 02	13.34 12 01
13.13	230 x 330 x 198	13.13 00 00	13.13 10 00	6,15	13.34 00 03	13.34 00 01	13.34 12 02	13.34 12 01
13.14	230 x 400 x 128	13.14 00 00	13.14 10 00	5,30	13.34 00 04	13.34 00 01	13.34 14 02	13.34 14 01
13.15	230 x 400 x 242	13.15 00 00	13.15 10 00	6,84	13.34 00 04	13.34 00 01	13.34 14 02	13.34 14 01
13.16	230 x 600 x 128	13.16 00 00	13.16 10 00	6,55	13.34 00 05	13.34 00 01	13.34 16 02	13.34 16 01
13.17	230 x 280 x 130	13.17 00 00	13.17 10 00	4,00	13.34 00 02	13.34 00 01		
13.20	310 x 400 x 128	13.20 00 00	13.20 10 00	6,39	13.34 00 04	13.34 00 02	13.34 20 02	13.34 20 01
13.21	310 x 400 x 198	13.21 00 00	13.21 10 00	8,22	13.34 00 04	13.34 00 02	13.34 20 02	13.34 20 01
13.22	310 x 600 x 128	13.22 00 00	13.22 10 00	9,72	13.34 00 05	13.34 00 02	13.34 22 02	13.34 22 01
13.23	310 x 600 x 198	13.23 00 00	13.23 10 00	10,30	13.34 00 05	13.34 00 02	13.34 22 02	13.34 22 01
13.24	310 x 400 x 244	13.24 00 00	13.24 10 00	8,70	13.34 00 04	13.34 00 02	13.34 20 02	13.34 20 01
13.25	310 x 400 x 158	13.25 00 00	13.25 10 00	7,09	13.34 00 04	13.34 00 02	13.34 20 02	13.34 20 01

Accessories

Type	Front panel	Mounting plate	Transparent cover with knurled lock	Transparent cover with lock	DIN rail TS 35/7.5	Silicone seal
13.05	10.01 30 05	10.01 10 14			10.06 14 29	10.05 10 15
13.07	10.01 30 07	10.01 10 11			10.06 14 24	10.05 13 07
13.08	10.01 30 08	10.01 10 12			10.06 14 25	10.05 13 08
13.09	10.01 30 09	10.01 10 13			10.06 14 26	10.05 13 09
13.10	10.01 30 10	10.01 10 15	13.33 10 10	13.33 10 20	10.06 14 30	10.05 13 10
13.11	10.01 30 10	10.01 10 15	13.33 10 10	13.33 10 20	10.06 14 30	10.05 13 10
13.12	10.01 30 12	10.01 10 17	13.33 12 10	13.33 12 20	10.06 14 32	10.05 13 12
13.13	10.01 30 12	10.01 10 17	13.33 12 10	13.33 12 20	10.06 14 32	10.05 13 12
13.14	10.01 30 14	10.01 10 18	13.33 14 10	13.33 14 20	10.06 14 27	10.05 13 14
13.15	10.01 30 14	10.01 10 18	13.33 14 10	13.33 14 20	10.06 14 27	10.05 13 14
13.16	10.01 30 16	10.01 10 19			10.06 14 28	10.05 13 16
13.17	10.01 30 17	10.01 10 16			10.06 14 31	10.05 13 17
13.20	10.01 30 20	10.01 10 20	13.33 20 10	13.33 20 20	10.06 14 27	10.05 13 20
13.21	10.01 30 20	10.01 10 20	13.33 20 10	13.33 20 20	10.06 14 27	10.05 13 20
13.22	10.01 30 22	10.01 10 21	13.33 22 10	13.33 22 20	10.06 14 28	10.05 13 22
13.23	10.01 30 22	10.01 10 21	13.33 22 10	13.33 22 20	10.06 14 28	10.05 13 22
13.24	10.01 30 20	10.01 10 20	13.33 20 10	13.33 20 20	10.06 14 27	10.05 13 20
13.25	10.01 30 20	10.01 10 20	13.33 20 10	13.33 20 20	10.06 14 27	10.05 13 20

Other accessories

- 10.02 70 43 External hinges unmounted
- 10.02 20 01 Internal hinges mounted

Coupling holes

for type	GT 48/2	GT 50/2	GT 60/2	GT 80/2
	GTK electronic		GTN II	
13.05	•			
13.07	•			
13.08	•			
13.09	•			
13.10	•	•		
13.11	•	•	•	•
13.12	•	•		
13.13	•	•	•	•
13.14	•	•		
13.15	•	•	•	•
13.16	•	•		
13.17	•	•		
13.20	•	•		
13.21	•	•	•	•
13.22	•	•		
13.23	•	•	•	•
13.24	•	•	•	•
13.25	•	•	•	•

Accessories

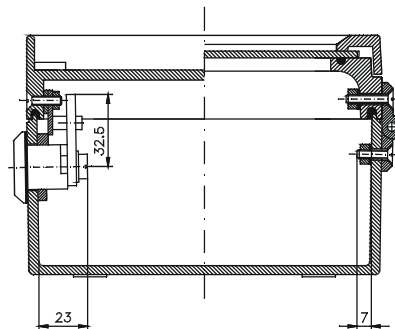
Turn bolt lock

Order No.	Lock type
10.12 04 07	square 7 mm
10.12 04 08	square 8 mm
10.12 04 09	triangular 7 mm
10.12 04 10	triangular 8 mm
10.12 04 11	Daimler Benz
10.12 04 12	double ward
10.12 04 13	knob with lock

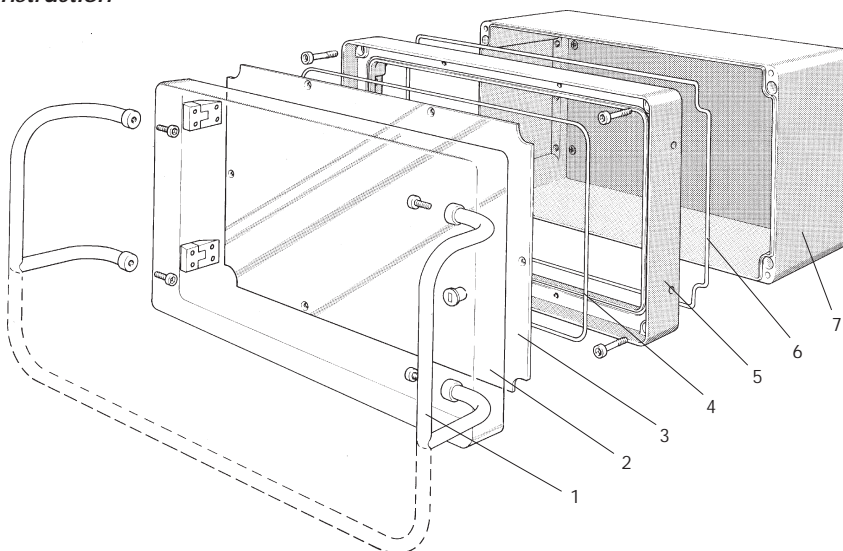
Please specify hinge side

Caution:

For use with turn bolt lock with external hinges:
silicone seal in the lower section and frame



Construction

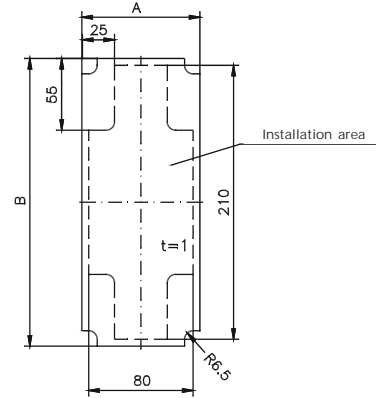


1. Handling frame
2. Transparent cover
3. Front panel
4. Front panel seal
5. Front frame
6. Frame seal
7. Enclosure body

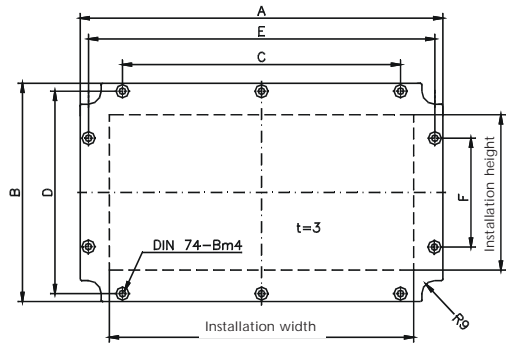
Commander 1

Accessories front panel

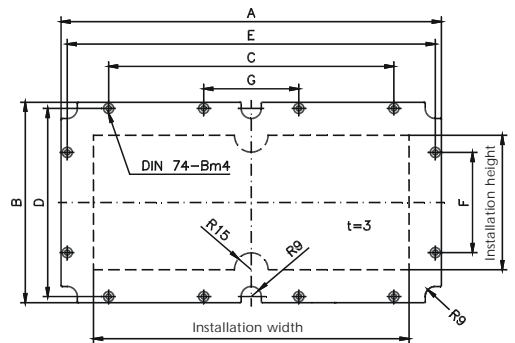
Type	Order No.	A	B	Installation width	Installation height
13.05	10.01 30 05	90.5	220.5	80	210



Type	Order No.	A	B	C	D	E	F	Installation width	Installation height
13.07	10.01 30 07	251	151	205	140	240	-	220	120
13.08	10.01 30 08	351	151	305	140	340	-	320	120
13.10	10.01 30 10	192.5	223	-	210	179	-	154	184
13.11	10.01 30 10	192.5	223	-	210	179	-	154	184
13.12	10.01 30 12	320.5	220.5	140	207	307	-	284	184
13.13	10.01 30 12	320.5	220.5	140	207	307	-	284	184
13.14	10.01 30 14	389.5	219	140	207	377	-	354	184
13.15	10.01 30 14	389.5	219	140	207	377	-	354	184
13.17	10.01 30 17	272	222	-	208	258	-	234	184
13.20	10.01 30 20	390.5	300.5	300	287	377	150	354	264
13.21	10.01 30 20	390.5	300.5	300	287	377	150	354	264
13.24	10.01 30 20	390.5	300.5	300	287	377	150	354	264
13.25	10.01 30 20	390.5	300.5	300	287	377	150	354	264



Type	Order No.	A	B	C	D	E	F	G	Installation width	Installation height
13.09	10.01 30 09	551	151	505	140	540	-	175	516	120
13.16	10.01 30 16	590.5	220.5	450	207	577	-	150	554	184
13.22	10.01 30 22	590.5	300.5	450	287	577	150	150	554	264
13.23	10.01 30 22	590.5	300.5	450	287	577	150	150	554	264



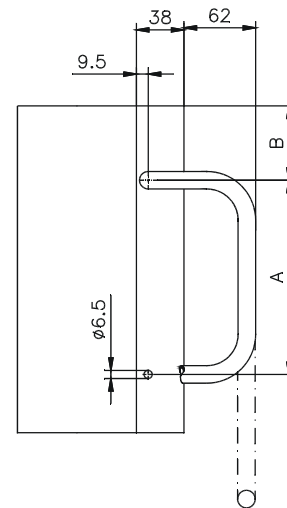
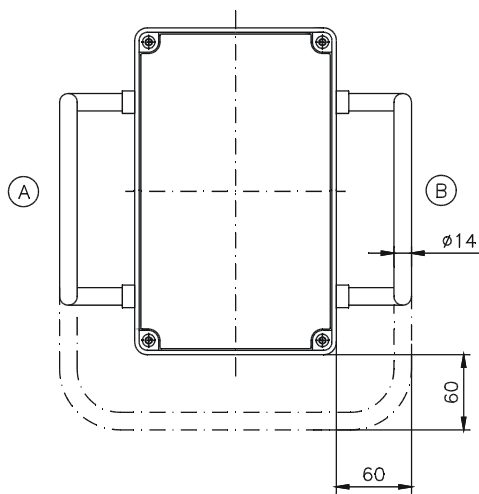
Accessories



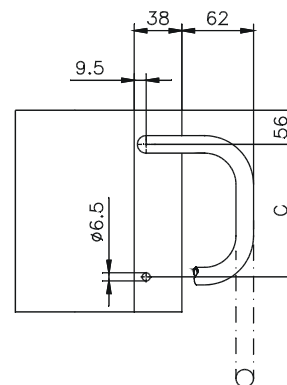
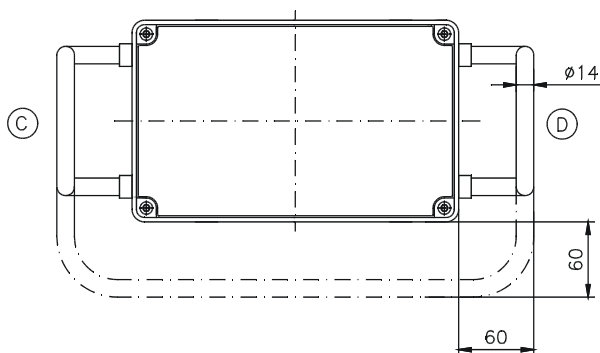
Handles

Type.					A	B	C
13.10	13.34 00 01	13.34 00 01		13.34 10 01	127	36.5	127
13.11	13.34 00 01	13.34 00 01		13.34 10 01	127	36.5	127
13.12	13.34 00 03	13.34 00 01	13.34 12 02	13.34 12 01	228	45	127
13.13	13.34 00 03	13.34 00 01	13.34 12 02	13.34 12 01	228	45	127
13.14	13.34 00 04	13.34 00 01	13.34 14 02	13.34 14 01	263	64	127
13.15	13.34 00 04	13.34 00 01	13.34 14 02	13.34 14 01	263	64	127
13.16	13.34 00 05	13.34 00 01	13.34 16 02	13.34 16 01	450	64	127
13.17	13.34 00 02	13.34 00 01			209	36.5	127
13.20	13.34 00 04	13.34 00 02	13.34 20 02	13.34 20 01	263	64	209
13.21	13.34 00 04	13.34 00 02	13.34 20 02	13.34 20 01	263	64	209
13.22	13.34 00 05	13.34 00 02	13.34 22 02	13.34 22 01	450	64	209
13.23	13.34 00 05	13.34 00 02	13.34 22 02	13.34 22 01	450	64	209
13.24	13.34 00 04	13.34 00 02	13.34 20 02	13.34 20 01	263	64	209
13.25	13.34 00 04	13.34 00 02	13.34 20 02	13.34 20 01	263	64	209

Handle mounting A/B



Handle mounting C/D



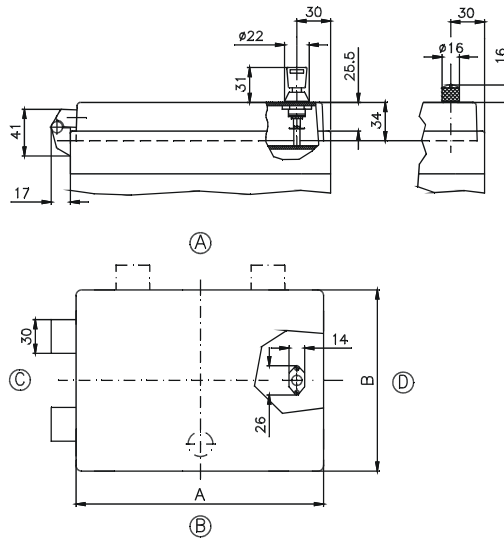
Commander 1

Accessories



Transparent cover

Type	Transparent cover with knurled lock	Transparent cover with lock	Transparent cover-dimensions	
			A	B
13.10	13.33 10 10	13.33 10 20	190	220
13.11	13.33 10 10	13.33 10 20	190	220
13.12	13.33 12 10	13.33 12 20	310	220
13.13	13.33 12 10	13.33 12 20	310	220
13.14	13.33 14 10	13.33 14 20	390	220
13.15	13.33 14 10	13.33 14 20	390	220
13.20	13.33 20 10	13.33 20 20	390	300
13.21	13.33 20 10	13.33 20 20	390	300
13.22	13.33 22 10	13.33 22 20	590	300
13.23	13.33 22 10	13.33 22 20	590	300
13.24	13.33 20 10	13.33 20 20	390	300
13.25	13.33 20 10	13.33 20 20	390	300



External hinge
Aluminium diecast hinges,
swivelling range approx. 150°

Order No. 10.02 70 43



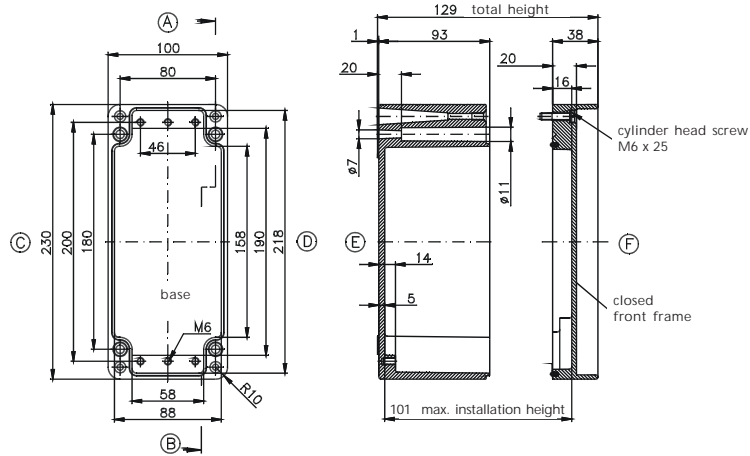
Internal hinges,
stainless steel,
swivelling range approx. 95°

Order No. 10.02 20 01

Dimensions

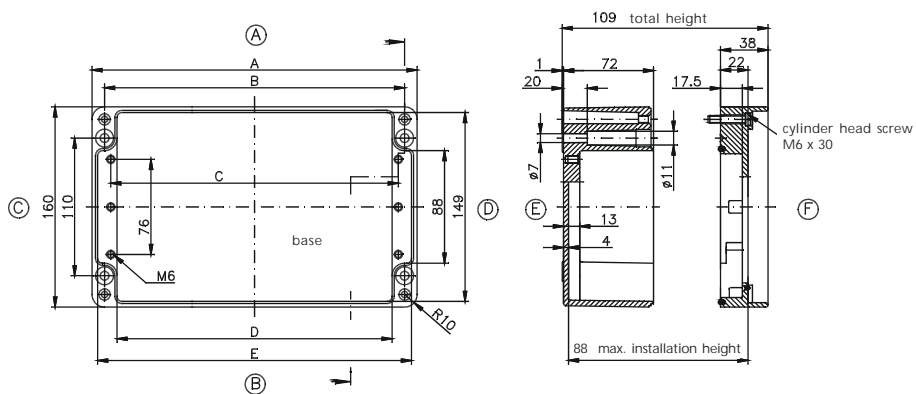
Order No.

13.05 00 00



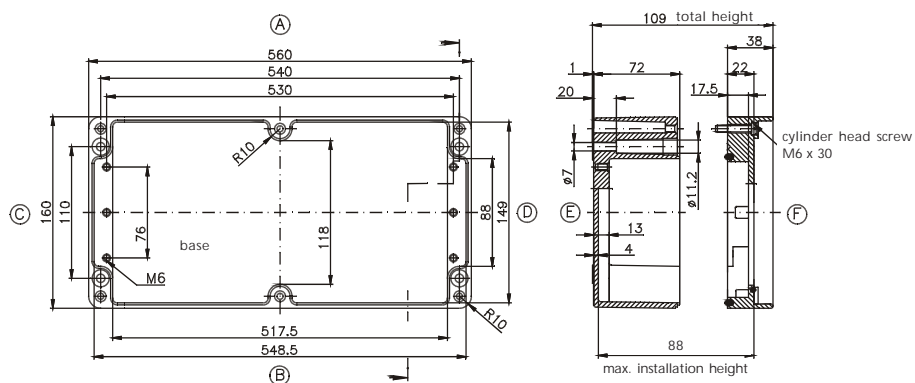
Order No.

Order No.	A	B	C	D	E
13.07 00 00	260	240	230	217.5	248.5
13.08 00 00	360	340	330	317.5	348.5



Order No.

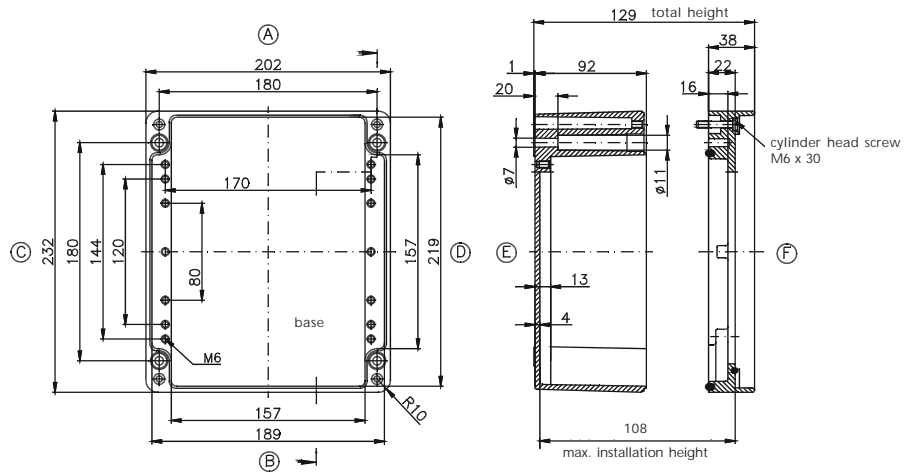
13.09 00 00



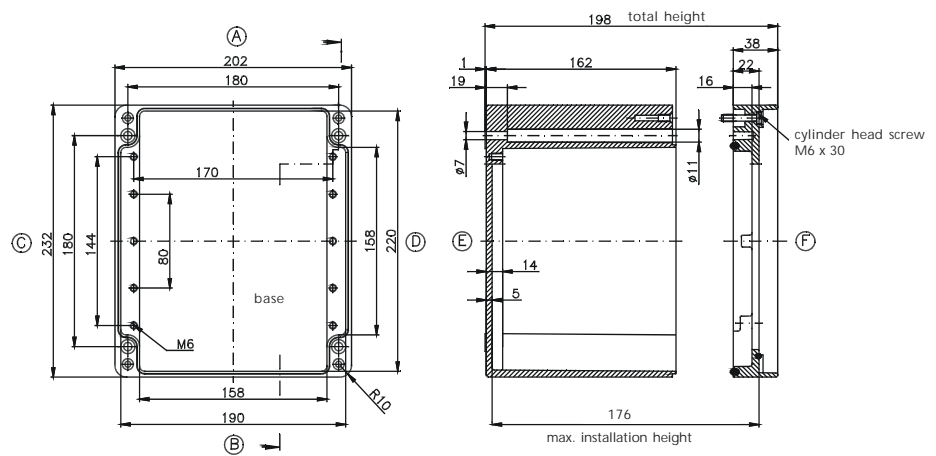
Commander 1

Dimensions

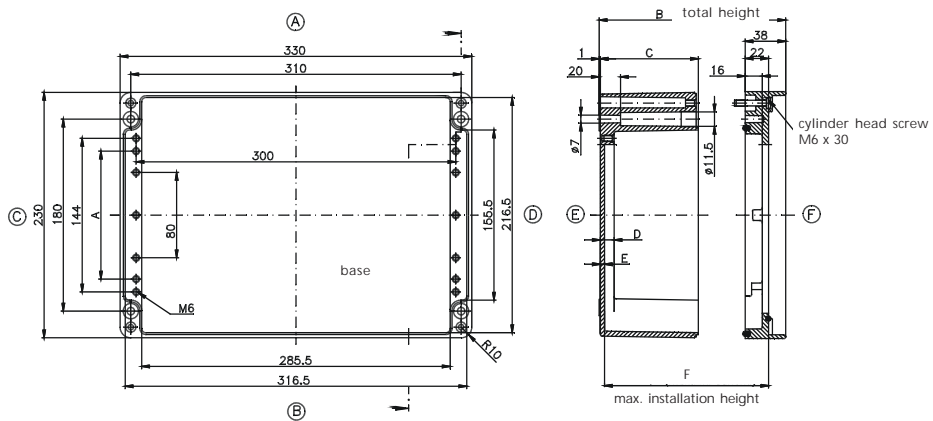
Order No.
13.10 00 00



Order No.
13.11 00 00

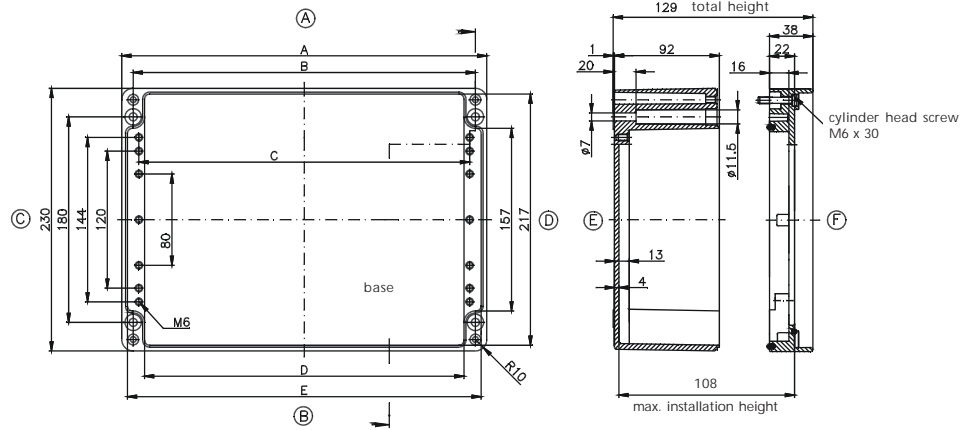


Order No.	A	B	C	D	E	F
13.12 00 00	120	129	92	13	4	112
13.13 00 00	-	199	163	15	6	176

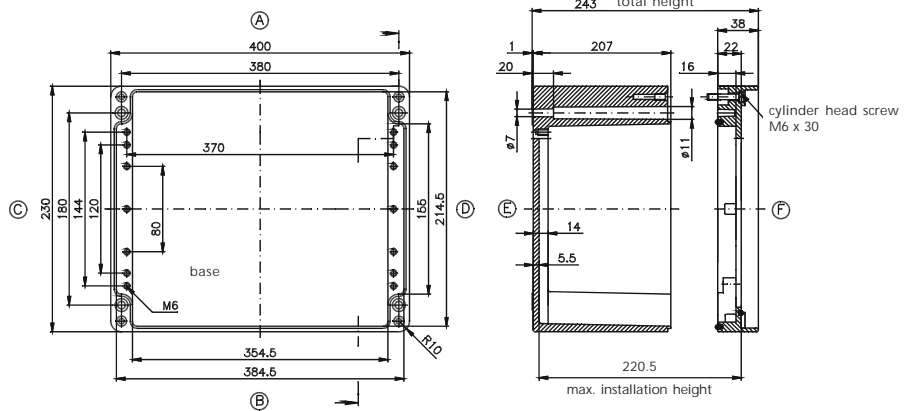


Dimensions

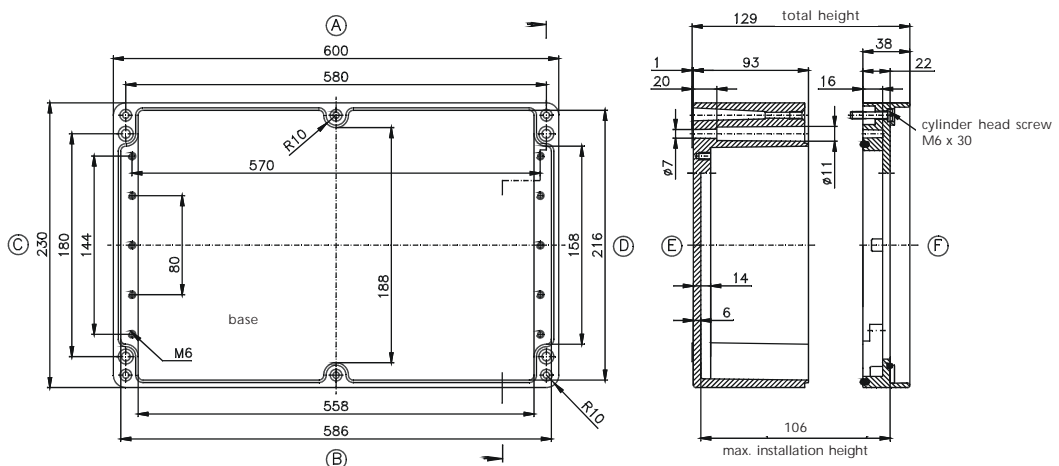
Order No.	A	B	C	D	E
13.14 00 00	400	380	370	357	387
13.17 00 00	280	260	250	237	268



Order No.
13.15 00 00



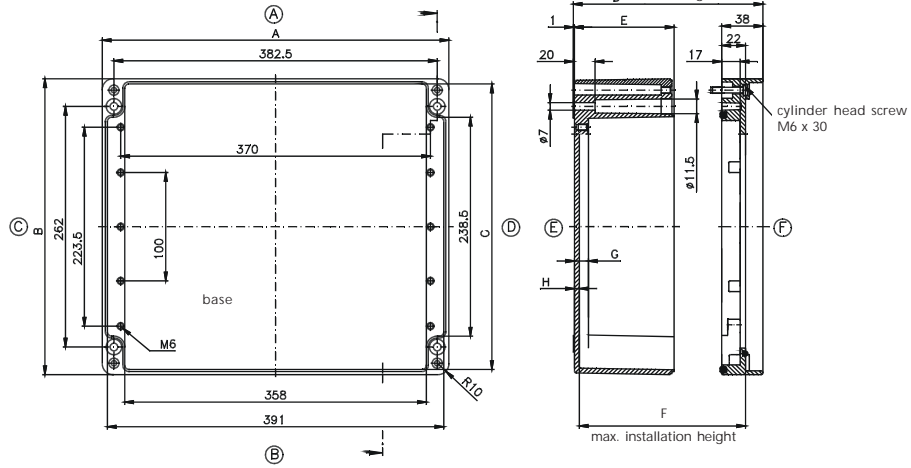
Order No.
13.16 00 00



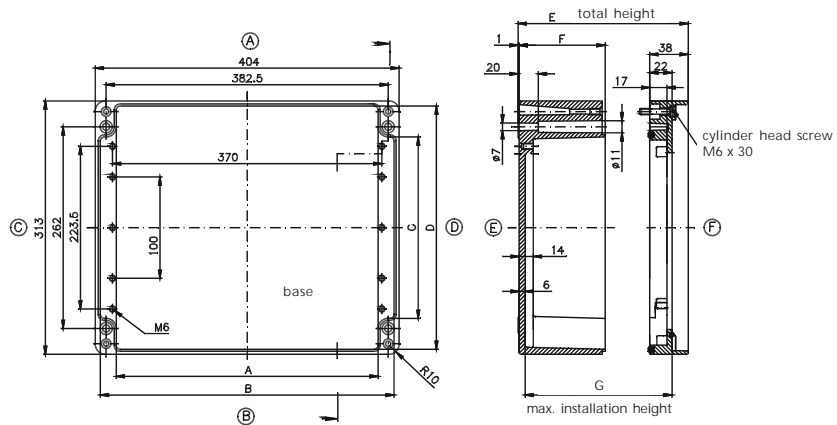
Commander 1

Dimensions

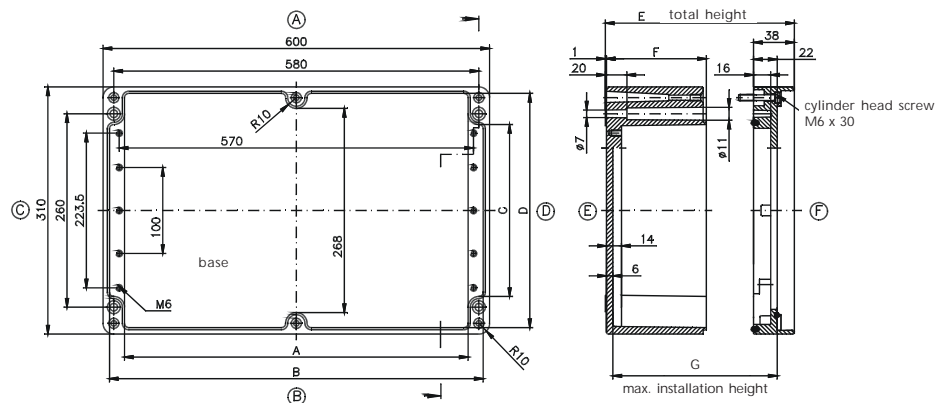
Order No.	A	B	C	D	E	F	G	H
13.20 00 00	404	313	301	129	92	107.5	13	4.5
13.25 00 00	403	312	296.5	159	123	136	14	6



Order No.	A	B	C	D	E	F	G
13.21 00 00	358.5	390	238	299	199	163	176
13.24 00 00	360.5	388.5	240	297.5	245	209	222



Order No.	A	B	C	D	E	F	G
13.22 00 00	558	586	238	296	129	93	106
13.23 00 00	556	584	236	294	199	163	176





- Small control enclosure in aluminium with front frame for front panels and keypads
- Robust aluminium diecast enclosure body
- Handle set (optional)

Technical data

Material:

DIN EN 1706 EN AC-AISI 12 (Fe)

Ingress protection:

IP 65 to EN 60529

Impact resistance:

7 Joule to EN 60079-0

Painting:

powder coating

Colour:

enclosure body: RAL 7038, agate grey
 frame, top/base: RAL 7043, traffic grey B
 special colour on request

Temperature range:

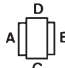
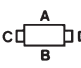
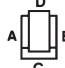
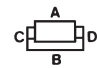
with PU (polyurethane) seal: -40°C to +90°C
 with VMQ (silicone) seal: -60°C to +130°C
 with CR seal: -40°C to +100°C

Included in delivery:

Enclosure body with two-part front frame, enclosure and fastening screws (2 or 4 pcs.). Please order front panel separately

Commander 1F

Product range

Type	Dimensions W x L x H (mm)	Enclosure without front panel	Enclosure drilled for attachment of handle, without front panel	Weight (kg)	1 set single handle for side A + B	1set single handle for side C + D	Handling frame for side A + B	Handling frame for side C + D
								
13.07	260 x 160 x 108	13.07 05 00		2,45				
13.08	360 x 160 x 108	13.08 05 00		3,10				
13.10	230 x 200 x 128	13.10 05 00	13.10 15 00	3,4	13.34 00 01	13.34 00 01		13.34 10 01
13.10	230 x 200 x 153	13.10 05 10	13.10 15 10	3,6	13.34 00 01	13.34 00 01		13.34 10 01
13.11	230 x 200 x 198	13.11 05 00	13.11 15 00	4,47	13.34 00 01	13.34 00 01		13.34 10 01
13.12	230 x 330 x 128	13.12 05 00	13.12 15 00	4,3	13.34 00 03	13.34 00 01	13.34 12 02	13.34 12 01
13.12	230 x 330 x 153	13.12 05 10	13.12 15 10	4,5	13.34 00 03	13.34 00 01	13.34 12 02	13.34 12 01
13.13	230 x 330 x 198	13.13 05 00	13.13 15 00	5,55	13.34 00 03	13.34 00 01	13.34 12 02	13.34 12 01
13.14	230 x 400 x 128	13.14 05 00	13.14 15 00	4,58	13.34 00 04	13.34 00 01	13.34 14 02	13.34 14 01
13.15	230 x 400 x 242	13.15 05 00	13.15 15 00	7,23	13.34 00 04	13.34 00 01	13.34 14 02	13.34 14 01
13.17	230 x 280 x 130	13.17 05 00	13.17 15 00	3,40	13.34 00 02	13.34 00 01		
13.20	310 x 400 x 128	13.20 05 00	13.20 15 00	6,00	13.34 00 04	13.34 00 02	13.34 20 02	13.34 20 01
13.21	310 x 400 x 198	13.21 05 00	13.21 15 00	7,50	13.34 00 04	13.34 00 02	13.34 20 02	13.34 20 01
13.25	310 x 400 x 158	13.25 05 00	13.25 15 00	6,70	13.34 00 04	13.34 00 02	13.34 20 02	13.34 20 01

Accessories

Type	Front panel	Mounting plate	DIN rail TS 35/7.5	Silicone seal
13.07	10.01 32 07	10.01 10 11	10.06 14 24	10.05 13 07
13.08	10.01 32 08	10.01 10 12	10.06 14 25	10.05 13 08
13.10	10.01 32 10	10.01 10 15	10.06 14 30	10.05 13 10
13.10	10.01 32 10	10.01 10 15	10.06 14 30	10.05 13 10
13.11	10.01 32 10	10.01 10 15	10.06 14 30	10.05 13 10
13.12	10.01 32 12	10.01 10 17	10.06 14 32	10.05 13 12
13.12	10.01 32 12	10.01 10 17	10.06 14 32	10.05 13 12
13.13	10.01 32 12	10.01 10 17	10.06 14 32	10.05 13 12
13.14	10.01 32 14	10.01 10 18	10.06 14 27	10.05 13 14
13.15	10.01 32 14	10.01 10 18	10.06 14 27	10.05 13 14
13.17	10.01 32 17	10.01 10 16	10.06 14 31	10.05 13 17
13.20	10.01 32 20	10.01 10 20	10.06 14 27	10.05 13 20
13.21	10.01 32 20	10.01 10 20	10.06 14 27	10.05 13 20
13.25	10.01 32 20	10.01 10 20	10.06 14 27	10.05 13 20

Other accessories

- 10.02 70 43** External hinges unmounted
- 10.02 20 01** Internal hinges mounted (only for type 13.07 to 13.15)

Coupling holess

for type	GTK electronic GT 48/2	GT 50/2	GT 60/2 GTN II	GT 80/2
13.07 05 00	•			
13.08 05 00	•			
13.10 05 00	•	•		
13.10 05 10	•	•		
13.11 05 00	•	•	•	•
13.12 05 00	•	•		
13.12 05 10	•	•		
13.13 05 00	•	•	•	•
13.14 05 00	•	•		
13.15 05 00	•	•	•	•
13.17 05 00	•	•		
13.20 05 00	•	•		
13.21 05 00	•	•	•	•
13.25 05 00	•	•	•	•

Accessories

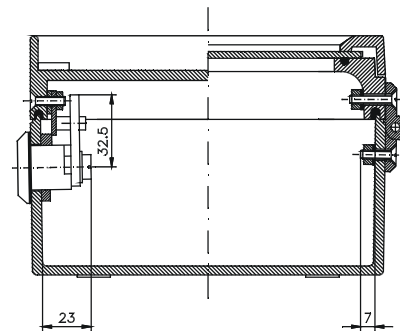
Turn bolt lock

Order No.	Lock type
10.12 04 07	square 7 mm
10.12 04 08	square 8 mm
10.12 04 09	triangular 7 mm
10.12 04 10	triangular 8 mm
10.12 04 11	Daimler Benz
10.12 04 12	double ward
10.12 04 13	knob with lock

Please specify hinge side

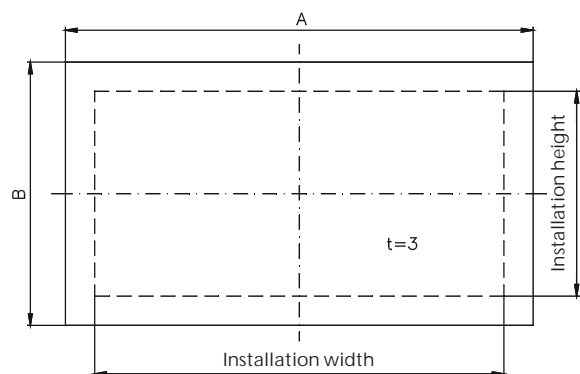
Caution:

For use with turn bolt lock with external hinges:
silicone seal in the lower section and frame.



Front panels

Type	Order No.	A	B	Installation width	Installation height
13.07F	10.01 32 07	230	130	215	115
13.08F	10.01 32 08	330	130	315	115
13.10F	10.01 32 10	170	200	155	185
13.11F	10.01 32 10	170	200	155	185
13.12F	10.01 32 12	300	200	285	185
13.13F	10.01 32 12	300	200	285	185
13.14F	10.01 32 14	370	200	355	185
13.15F	10.01 32 14	370	200	355	185
13.17F	10.01 32 17	251	201	235	185
13.20F	10.01 32 20	375	284	359	268
13.21F	10.01 32 20	375	284	359	268
13.25F	10.01 32 20	375	284	359	268

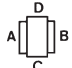
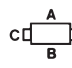
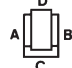
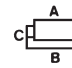


Commander 1F

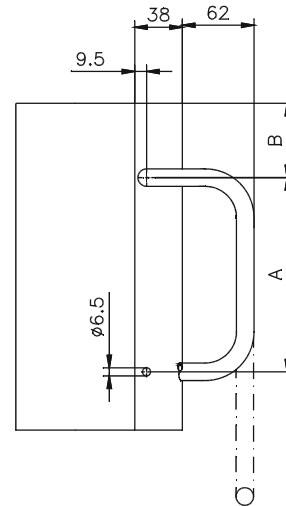
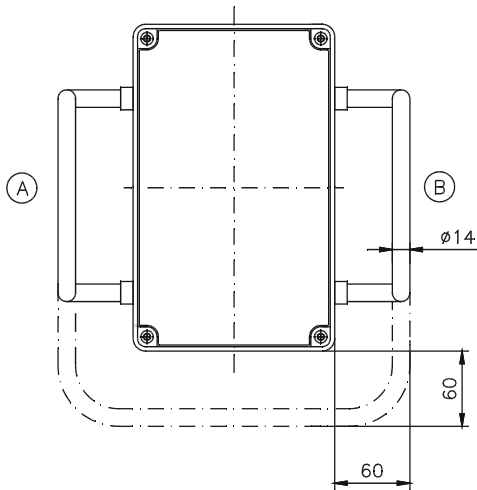
Accessories



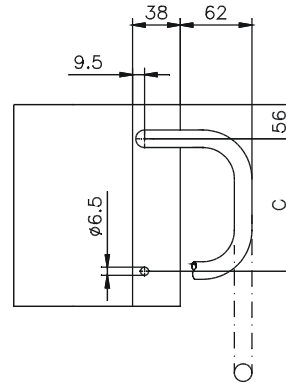
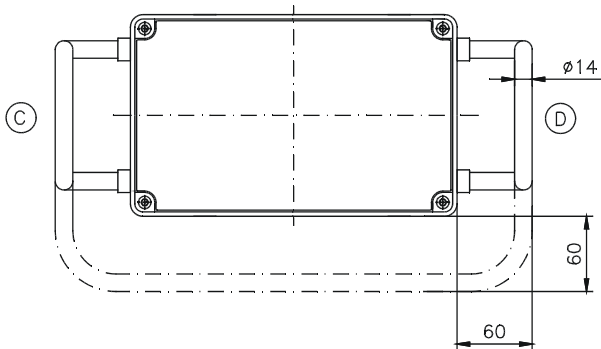
Handles

Type.					A	B	C
13.10F	13.34 00 01	13.34 00 01		13.34 10 01	127	36.5	127
13.11F	13.34 00 01	13.34 00 01		13.34 10 01	127	36.5	127
13.12F	13.34 00 03	13.34 00 01	13.34 12 02	13.34 12 01	228	45	127
13.13F	13.34 00 03	13.34 00 01	13.34 12 02	13.34 12 01	228	45	127
13.14F	13.34 00 04	13.34 00 01	13.34 14 02	13.34 14 01	263	64	127
13.15F	13.34 00 04	13.34 00 01	13.34 14 02	13.34 14 01	263	64	127
13.17F	13.34 00 02	13.34 00 01			209	36.5	127
13.20F	13.34 00 04	13.34 00 02	13.34 20 02	13.34 20 01	263	64	209
13.21F	13.34 00 04	13.34 00 02	13.34 20 02	13.34 20 01	263	64	209
13.25F	13.34 00 04	13.34 00 02	13.34 20 02	13.34 20 01	263	64	209

Handle mounting A/B



Handle mounting C/D



Accessories



External hinge

Aluminium-diecast hinges, swivelling range approx. 150°

Order No.: **10.02 70 43**



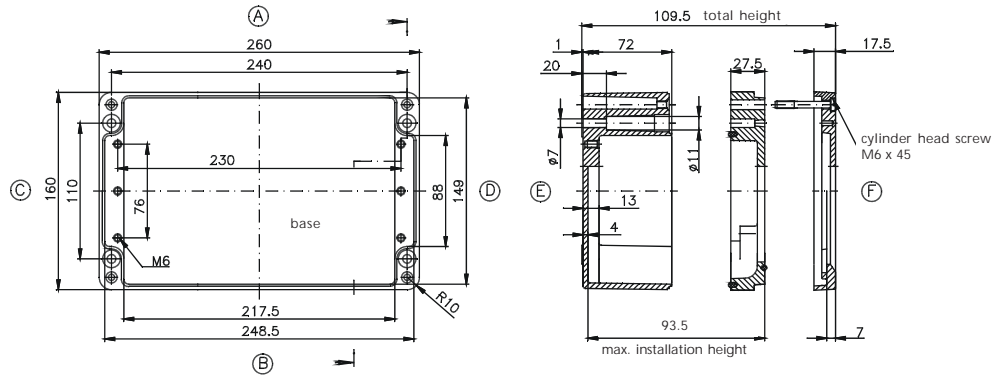
Internal hinge (only for type 13.07 to 13.15)
stainless steel, swivelling range approx. 95°

Order No.: **10.02 20 01**

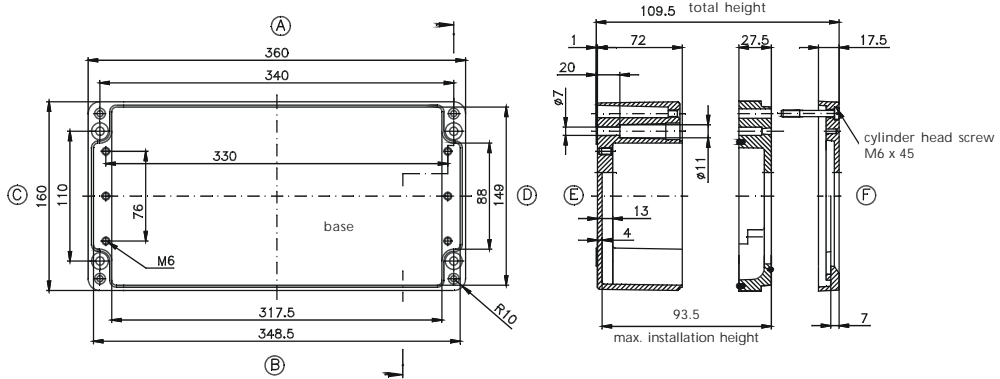
Commander 1F

Dimensions

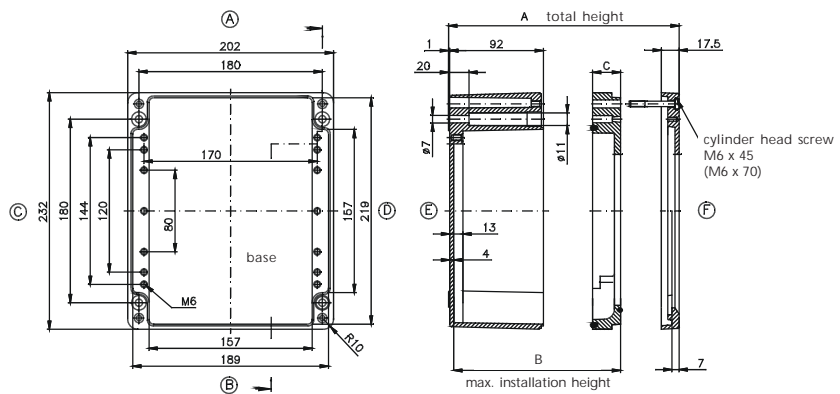
Order No.
13.07 05 00



Order No.
13.08 05 00

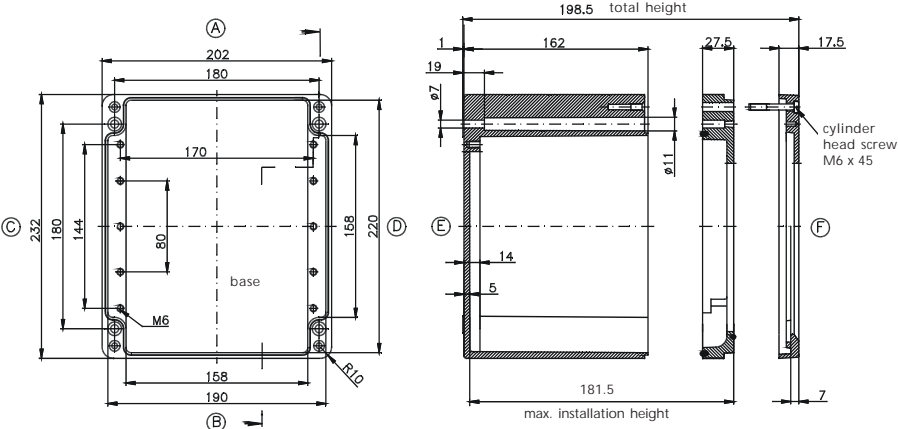


Order No.	A	B	C
13.10 05 00	129.5	113.5	27.5
13.10 05 10	153	137	51

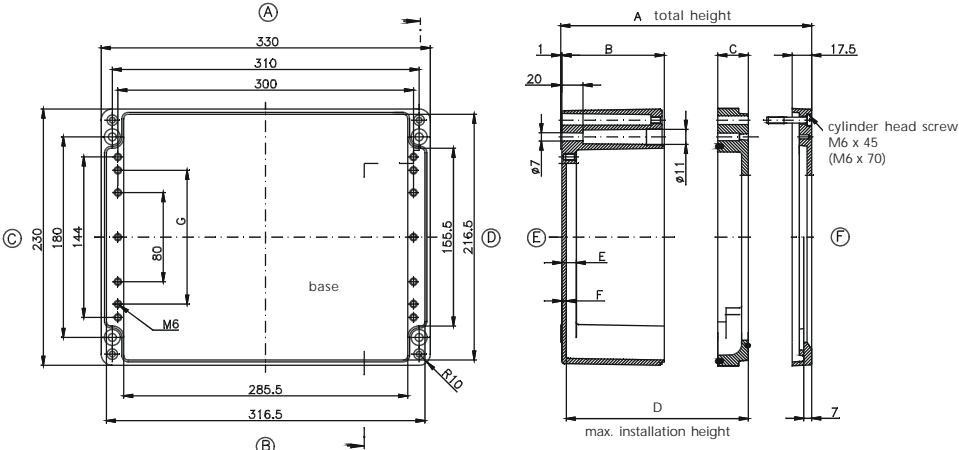


Dimensions

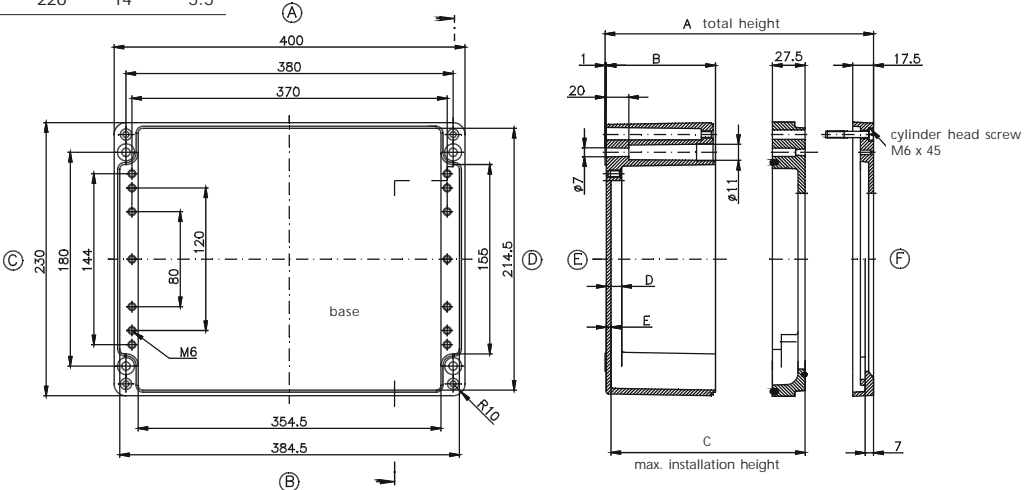
Order No.
 13.11 05 00



Order No.	A	B	C	D	E	F	G
13.12 05 00	129.5	92	27.5	113.5	13	4	120
13.12 05 10	153	92	51	137	13	4	120
13.13 05 00	199.5	163	27.5	181.5	15	6	-



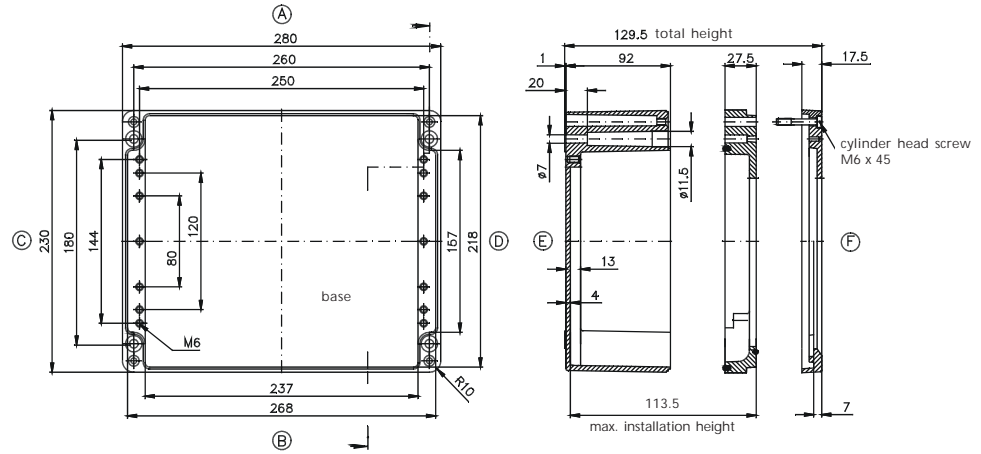
Order No.	A	B	C	D	E
13.14 05 00	129.5	92	113.5	13	4
13.15 05 00	243.5	207	226	14	5.5



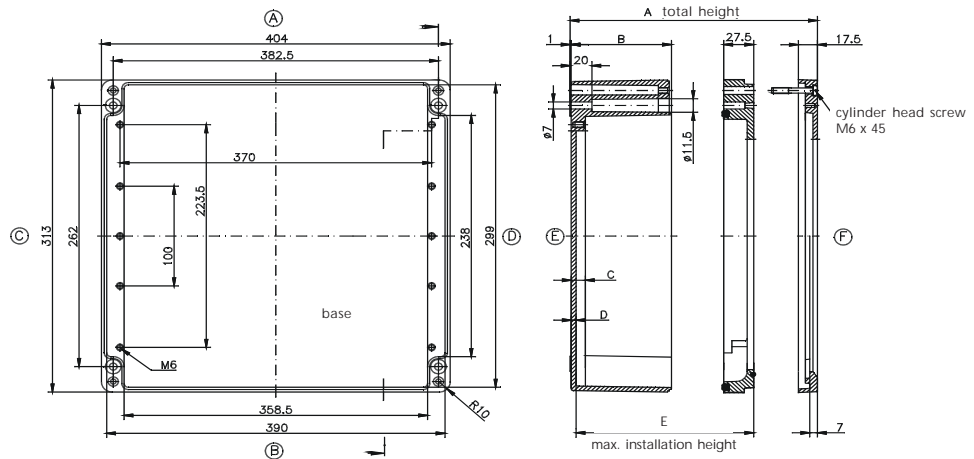
Commander 1F

Dimensions

Order No.
13.17 05 00



Order No.	A	B	C	D	E
13.20 05 00	129.5	92	13	4.5	113
13.21 05 00	199.5	163	14	6	181.5



Order No.
13.25 05 00

