



- Aluminium desktop enclosure for MCR technology
- Individual height versions by profile technology
- Stacking capability using special foot shape
- Contact-uninsulated internal enclosure walls
- Internal groove for spring nuts M4 and M5

### Technical data

**Material:**

half shell: DIN EN 1706 EN AC-AISI 12 (Fe)

profile: DIN EN 573 EN AW-AlMgSi

**Ingress protection:**

IP 40 to EN 60529

**Colour combination:**

enclosure RAL 7035, light grey

foot elements RAL 7024, graphite grey

enclosure RAL 9005, jet black

foot elements RAL 3003, ruby red

**Painting:**

powder coating

**Temperature range:**

-40°C to +80°C

**Included in delivery**

Enclosure system with foot/head elements, front plate/rear panel please order separately

# Wavetronic

## Programme range

Enclosure type	Order No.	Enclosure ext. dimensions* W x L x H (mm)	Weight (g)	Colour combination	Front plate/rear panel (set, 2 pcs.)	Front plate connector area
Wavetronic 1	<b>07.70 01 01</b>	324 x 268 x 55	2300	grey/anthracite	<b>07.70 00 91</b>	287 x 37
Wavetronic 1	<b>07.70 02 01</b>	324 x 268 x 55	2300	black/red	<b>07.70 00 91</b>	287 x 37
Wavetronic 2	<b>07.70 01 02</b>	324 x 268 x 101	2700	grey/anthracite	<b>07.70 00 92</b>	287 x 83
Wavetronic 2	<b>07.70 02 02</b>	324 x 268 x 101	2700	black/red	<b>07.70 00 92</b>	287 x 83
Wavetronic 3	<b>07.70 01 03</b>	324 x 268 x 147	3100	grey/anthracite	<b>07.70 00 93</b>	287 x 129
Wavetronic 3	<b>07.70 02 03</b>	324 x 268 x 147	3100	black/red	<b>07.70 00 93</b>	287 x 129
Wavetronic 4	<b>07.70 01 04</b>	324 x 268 x 194	3500	grey/anthracite	<b>07.70 00 94</b>	287 x 176
Wavetronic 4	<b>07.70 02 04</b>	324 x 268 x 194	3500	black/red	<b>07.70 00 94</b>	287 x 176
Wavetronic special height	<b>07.70 01 99</b>	324 x 268 x SH**		grey/anthracite	<b>07.70 00 99</b>	287 x SH***
Wavetronic special height	<b>07.70 02 99</b>	324 x 268 x SH**		black/red	<b>07.70 00 99</b>	287 x SH***

\* dimensions without foot elements

\*\* front panel fitting area + 18

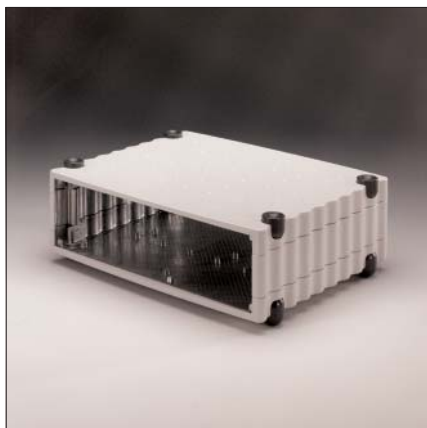
\*\*\* min. special height = 75; max. special height = 300

## Accessories

Mounting feet (2 pcs.), grey	<b>07.70 00 81</b>
Carrying handle	<b>07.70 00 82</b>
19" insert set (53HP / 3HU)	<b>07.70 00 83</b>
Spring nuts M4 (4 pcs.)	<b>29.00 00 50</b>
Spring nuts M5 (8 pcs.)	<b>10.03 60 01</b>



Wavetronic 1



Wavetronic 2

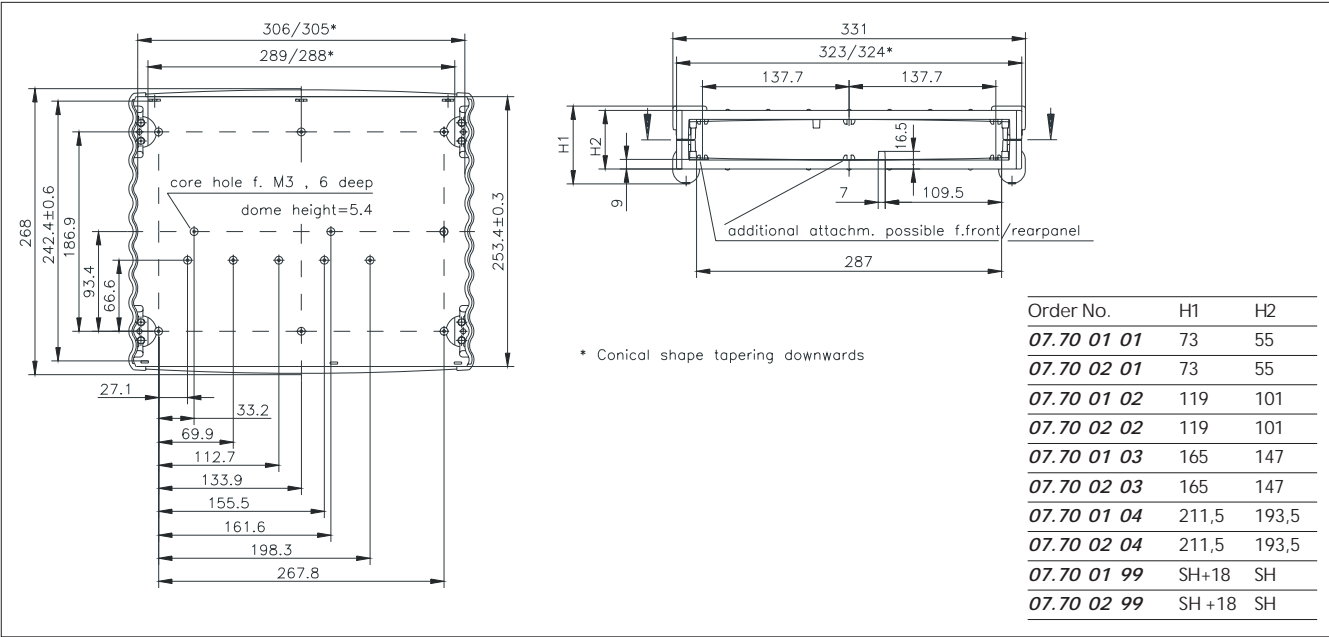


Wavetronic 3



Wavetronic 4

Dimensions

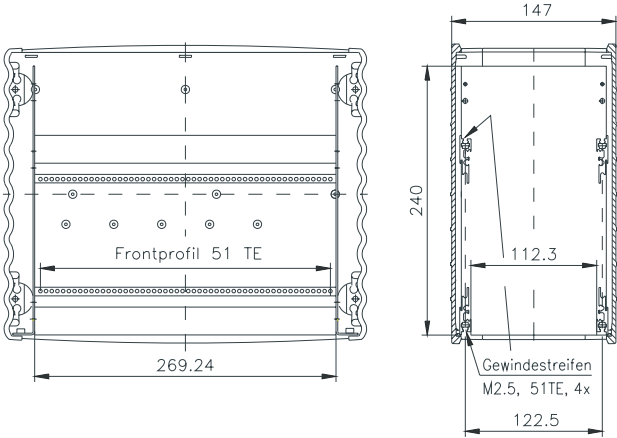


Accessories



19" insert set

Order No. 07.70 00 83

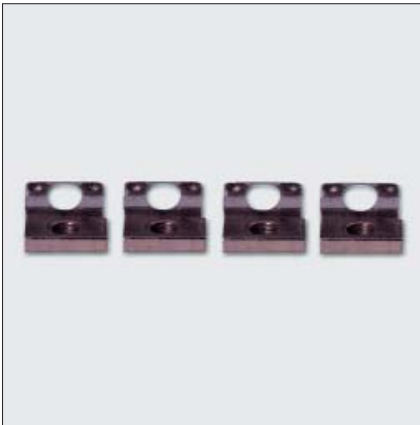


Front plate / rear wall

Wavetronic 1	07.70 00 91
Wavetronic 2	07.70 00 92
Wavetronic 3	07.70 00 93
Wavetronic 4	07.70 00 94
Wavetronic special height	07.70 00 99

# Wavetronic

## Accessories



Spring nuts for mounting groove

M4 (4 pieces)	29.00 00 50
M5 (8 pieces)	10.03 60 01



Mounting feet

Order No. 07.70 00 81



Handle

Order No. 07.70 00 82

## Applications

