








blok ručního pohonu standardní IEC IP30/40 příslušenství pro: 3VA15; 3VA25/26

Verze		
Název značky produktu	SENTRON	
příslušenství	blok ručního pohonu	
Obecné technické údaje		
Druh krytí IP	IP30	
Certifikáty		
General Product Approval	EMV	Marine / Shipping
	 EG-Konf.	Miscellaneous
		
		 LRS
other		Environment
Miscellaneous	Confirmation	Environmental Confirmations

Další informace

Siemens has decided to exit the Russian market (see here).

<https://press.siemens.com/global/en/pressrelease/siemens-wind-down-russian-business>

Siemens is working on the renewal of the current EAC certificates.

Please contact your local Siemens office on the status of validity of the EAC certification if you intend to import or offer to supply these products to an EAC relevant market (other than the sanctioned EAEU member states Russia or Belarus).

Informace o balení

[Informace o balení](#)

Information- and Downloadcenter (Catalogs, Brochures,...)

<http://www.siemens.com/lowvoltage/catalogs>

Industry Mall (Online ordering system)

<https://mall.industry.siemens.com/mall/en/en/Catalog/product?mlfb=3VA9687-0EK11>

Service&Support (Manuals, Certificates, Characteristics, FAQs,...)

<https://support.industry.siemens.com/cs/ww/cz/ps/3VA9687-0EK11>

Image database (product images, 2D dimension drawings, 3D models, device circuit diagrams, ...)

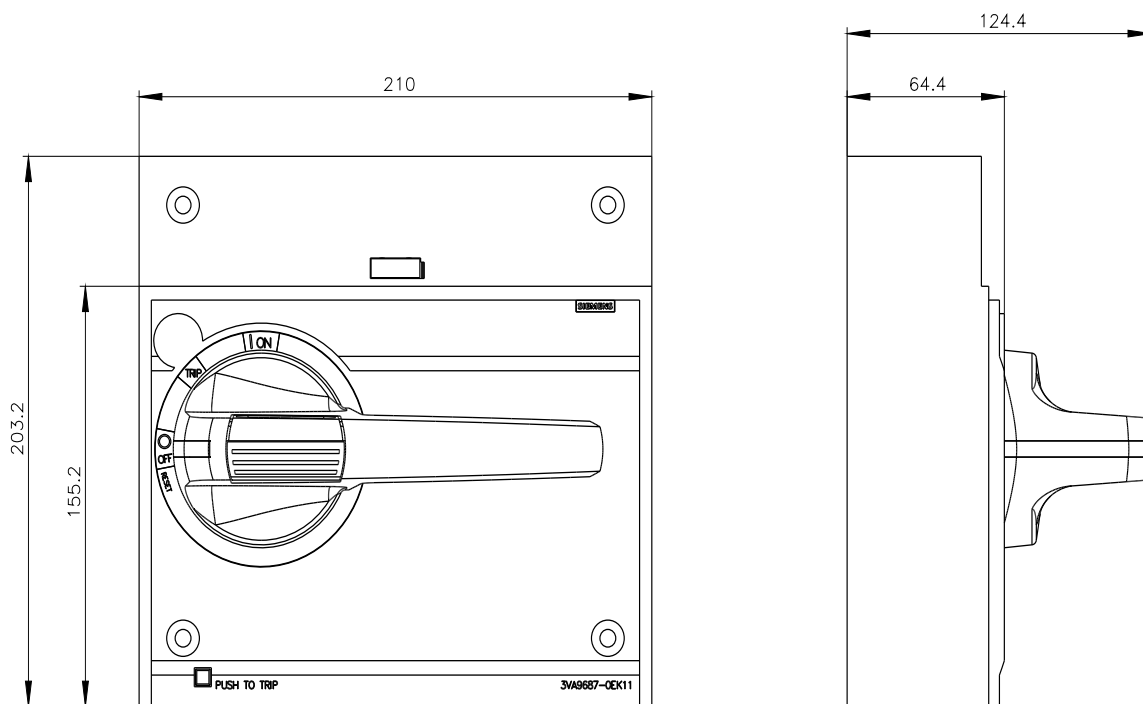
http://www.automation.siemens.com/bilddb/cax_en.aspx?mlfb=3VA9687-0EK11

CAX-Online-Generator

<http://www.siemens.com/cax>

Tender specifications

<http://www.siemens.com/specifications>



Poslední změna:

20.07.2022 

