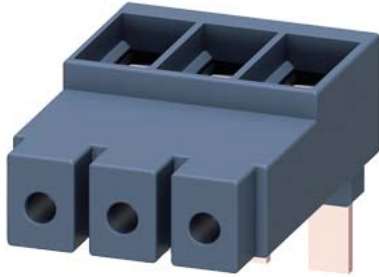


3-phase supply terminal Size S2 for 3-phase busbar connection from top



product brand name	SIRIUS	
product designation	3-phase supply terminal	
design of the product	from above, size S2	
General technical data		
size of the circuit-breaker	S2	
insulation voltage with degree of pollution 3 at AC rated value	690 V	
certificate of suitability	CE / UL / CSA / CCC	
Substance Prohibition (Date)	10/15/2014	
ampacity maximum	105 A	
Ambient conditions		
ambient temperature		
• during operation	-20 ... +60 °C	
• during storage	-50 ... +80 °C	
Safety related data		
protection class IP on the front according to IEC 60529	IP20	
touch protection on the front according to IEC 60529	finger-safe, for vertical contact from the front	
Installation/ mounting/ dimensions		
height	51 mm	
width	55 mm	
depth	77 mm	
Connections/ Terminals		
type of electrical connection for main current circuit	screw-type terminals	
type of connectable conductor cross-sections		
• for main contacts		
— solid	2x (2.5 ... 50 mm ²), 1x (2.5 ... 70 mm ²)	
— stranded	2x (2.5 ... 50 mm ²), 1x (2.5 ... 70 mm ²)	
— finely stranded with core end processing	2x (2.5 ... 35 mm ²), 1x (2.5 ... 50 mm ²).	
• for AWG cables for main contacts	2x (10 ... 1/0), 1x (10 ... 2/0)	
connectable conductor cross-section for main contacts		
• solid or stranded	2.5 ... 70 mm ²	
• stranded	2.5 ... 70 mm ²	
• finely stranded with core end processing	2.5 ... 50 mm ²	
AWG number as coded connectable conductor cross section for main contacts	10 ... 2	
Approvals Certificates		
General Product Approval	Declaration of Conformity	Test Certificates

[Confirmation](#)



EG-Konf.

[Special Test Certificate](#)

[Type Test Certificates/Test Report](#)

Marine / Shipping



ABS



BUREAU
VERITAS



DNV



LRS



PRS



RINA

other

[Confirmation](#)



VDE

Railway

[Vibration and Shock](#)

Environment

[Environmental Confirmations](#)

Further information

Siemens has decided to exit the Russian market (see here).

<https://press.siemens.com/global/en/pressrelease/siemens-wind-down-russian-business>

Siemens is working on the renewal of the current EAC certificates.

Please contact your local Siemens office on the status of validity of the EAC certification if you intend to import or offer to supply these products to an EAC relevant market (other than the sanctioned EAEU member states Russia or Belarus).

Information on the packaging

<https://support.industry.siemens.com/cs/ww/en/view/109813875>

Information- and Downloadcenter (Catalogs, Brochures,...)

<https://www.siemens.com/ic10>

Industry Mall (Online ordering system)

<https://mall.industry.siemens.com/mall/en/en/Catalog/product?mlfb=3RV2935-5A>

Cax online generator

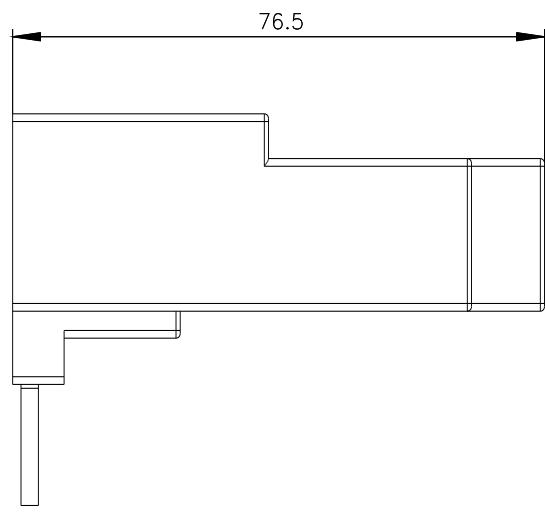
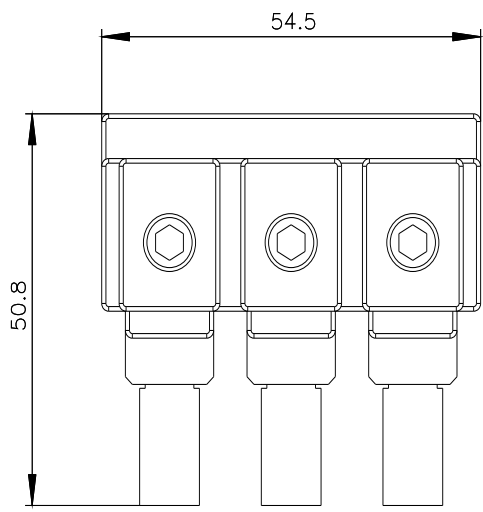
<http://support.automation.siemens.com/WW/CAXorder/default.aspx?lang=en&mlfb=3RV2935-5A>

Service&Support (Manuals, Certificates, Characteristics, FAQs,...)

<https://support.industry.siemens.com/cs/ww/en/ps/3RV2935-5A>

Image database (product images, 2D dimension drawings, 3D models, device circuit diagrams, EPLAN macros, ...)

http://www.automation.siemens.com/bilddb/cax_de.aspx?mlfb=3RV2935-5A&lang=en



last modified:

12/6/2022 