



Figure similar

Direct-on-line starter High Feature; Electronic switching; Electronic overload protection up to 0.09 kW / 400 V; Adjustment range 0.1 .. 0.4 A; PROFIenergy; Option: 3DI/LC module

product brand name	SIMATIC
product category	Motor starter
product designation	Direct-on-line starter
product type designation	ET 200SP

### General technical data

trip class	CLASS OFF / 5 / 10 adjustable
equipment variant according to IEC 60947-4-2	3
product function	Direct-on-line starter
<ul style="list-style-type: none"> <li>on-site operation</li> <li>intrinsic device protection</li> <li>remote firmware update</li> <li>for power supply reverse polarity protection</li> </ul>	Yes Yes Yes Yes
insulation voltage rated value	500 V
degree of pollution	2
overvoltage category	III
surge voltage resistance rated value	6 kV
maximum permissible voltage for safe isolation <ul style="list-style-type: none"> <li>between main and auxiliary circuit</li> </ul>	500 V
shock resistance	6g / 11 ms
vibration resistance	15 mm to 6 Hz; 2g to 500 Hz
operating frequency maximum	1 1/s
mechanical service life (switching cycles) of the main contacts typical	30 000 000
type of assignment	1
reference code according to IEC 81346-2	Q
Substance Prohibitance (Date)	04/15/2016
product function <ul style="list-style-type: none"> <li>direct start</li> <li>reverse starting</li> </ul>	Yes No
product component motor brake output	No
product function short circuit protection	Yes
design of short-circuit protection	fuse
breaking capacity maximum short-circuit current (Icu) <ul style="list-style-type: none"> <li>at 400 V rated value</li> <li>at 500 V rated value</li> <li>at 500 V according to UL 60947 rated value</li> </ul>	55 kA 55 kA 100 kA
breaking capacity maximum short-circuit current (Icu) in the IT network <ul style="list-style-type: none"> <li>at 400 V rated value</li> <li>at 500 V rated value</li> </ul>	55 kA 55 kA

### Electromagnetic compatibility

EMC emitted interference according to IEC 60947-1	class A
EMC immunity according to IEC 60947-1	Class A
<b>conducted interference</b>	
• due to burst according to IEC 61000-4-4	2 kV
• due to conductor-earth surge according to IEC 61000-4-5	2 kV
• due to conductor-conductor surge according to IEC 61000-4-5	1 kV
• due to high-frequency radiation according to IEC 61000-4-6	Class A
<b>field-based interference according to IEC 61000-4-3</b>	10 V/m
<b>electrostatic discharge according to IEC 61000-4-2</b>	8 kV air discharge
<b>conducted HF interference emissions according to CISPR11</b>	Class A for industrial environment
<b>field-bound HF interference emission according to CISPR11</b>	Class A for industrial environment

### Safety related data

<b>MTBF</b>	48 y
<b>safe state</b>	Load circuit open
<b>protection class IP on the front according to IEC 60529</b>	IP20
<b>touch protection on the front according to IEC 60529</b>	finger-safe

### Main circuit

<b>number of poles for main current circuit</b>	3
<b>design of the switching contact</b>	Hybrid
<b>adjustable current response value current of the current-dependent overload release</b>	0.1 ... 0.4 A
<b>minimum load [%]</b>	50 %; from smallest adjustable rated current
<b>type of the motor protection</b>	solid-state
<b>operating voltage rated value</b>	48 ... 500 V
<b>relative symmetrical tolerance of the operating voltage</b>	10 %
<b>operating frequency 1 rated value</b>	50 Hz
<b>operating frequency 2 rated value</b>	60 Hz
<b>relative symmetrical tolerance of the operating frequency</b>	5 %
<b>relative positive tolerance of the operating frequency</b>	5 %
<b>relative negative tolerance of the operating frequency</b>	5 %
<b>operational current at AC at 400 V rated value</b>	0.4 A
<b>ampacity when starting maximum</b>	4 A
<b>operating power for 3-phase motors at 400 V at 50 Hz</b>	0.06 ... 0.12 kW

### Inputs/ Outputs

<b>number of digital inputs</b>	4
• note	4 via 3DI/LC module

### Supply voltage

<b>type of voltage of the supply voltage</b>	DC
<b>supply voltage 1 at DC rated value</b>	
• minimum permissible	20.4 V
• maximum permissible	28.8 V
<b>supply voltage at DC rated value</b>	24 V
<b>consumed current for rated value of supply voltage</b>	
• in standby mode of operation	85 mA
• during operation	140 mA
• at switching on of motor	230 mA
<b>power loss [W] for rated value of supply voltage</b>	
• in switching state OFF with bypass circuit	2 W
• in switching state ON with bypass circuit	3.4 W
<b>inrush current peak at 24 V</b>	25 A; Observe the manual for group configuration
<b>duration of inrush current peak at 24 V</b>	0.145 ms

### Response times

<b>ON-delay time</b>	20 ms
<b>OFF-delay time</b>	35 ... 50 ms

### Power Electronics

<b>operational current</b>	
----------------------------	--

- at 40 °C rated value
- at 50 °C rated value
- at 55 °C rated value
- at 60 °C rated value

0,4 A  
0,4 A  
0,4 A  
0,4 A

### Installation/ mounting/ dimensions

<b>mounting position</b>	Vertical, horizontal (observe derating)
<b>fastening method</b>	pluggable in BaseUnit
<b>height</b>	142 mm
<b>width</b>	30 mm
<b>depth</b>	150 mm
required spacing with side-by-side mounting	
• upwards	50 mm
• downwards	50 mm

### Ambient conditions

installation altitude at height above sea level maximum	4 000 m; For derating see manual
<b>ambient temperature</b>	
• during operation	-25 ... +60 °C; For derating see manual
• during storage	-40 ... +70 °C
• during transport	-40 ... +70 °C
environmental category during operation according to IEC 60721	3K6 (no formation of ice, no condensation), 3C3 (no salt mist), 3S2 (sand must not get into the devices)
relative humidity during operation	10 ... 95 %
air pressure according to SN 31205	900 ... 1 060 hPa

### Communication/ Protocol

<b>protocol is supported</b>	
• PROFIBUS DP protocol	Yes
• PROFINET protocol	Yes
<b>product function bus communication</b>	Yes
protocol is supported AS-Interface protocol	No
<b>product function</b>	
• supports PROFenergy measured values	Yes
• supports PROFenergy shutdown	Yes
<b>address space memory of address range</b>	
• of the inputs	4 byte
• of the outputs	2 byte
type of electrical connection of the communication interface	Plug contact to Base Unit

### Connections/ Terminals

<b>type of electrical connection</b>	
• 1 for digital input signals	Pluggable module - accessory
<b>type of electrical connection</b>	
• for main energy infeed	Plug contact to Base Unit
• for load-side outgoing feeder	Plug contact to Base Unit
• for supply voltage line-side	Plug contact to Base Unit
<b>wire length for motor unshielded maximum</b>	200 m

### UL/CSA ratings

full-load current (FLA) for 3-phase AC motor at 480 V rated value	0,4 A
operating voltage at AC at 60 Hz according to CSA and UL rated value	480 V

### Certificates/ approvals

General Product Approval

EMC



[Confirmation](#)



Declaration of Conformity

Test Certificates

Marine / Shipping



Type Test Certificates/Test Report



other Dangerous Good

[Confirmation](#)



[Transport Information](#)

Further information

Information- and Downloadcenter (Catalogs, Brochures,...)

<https://www.siemens.com/ic10>

Industry Mall (Online ordering system)

<https://mall.industry.siemens.com/mall/en/en/Catalog/product?mlfb=3RK1308-0AA00-0CP0>

Cax online generator

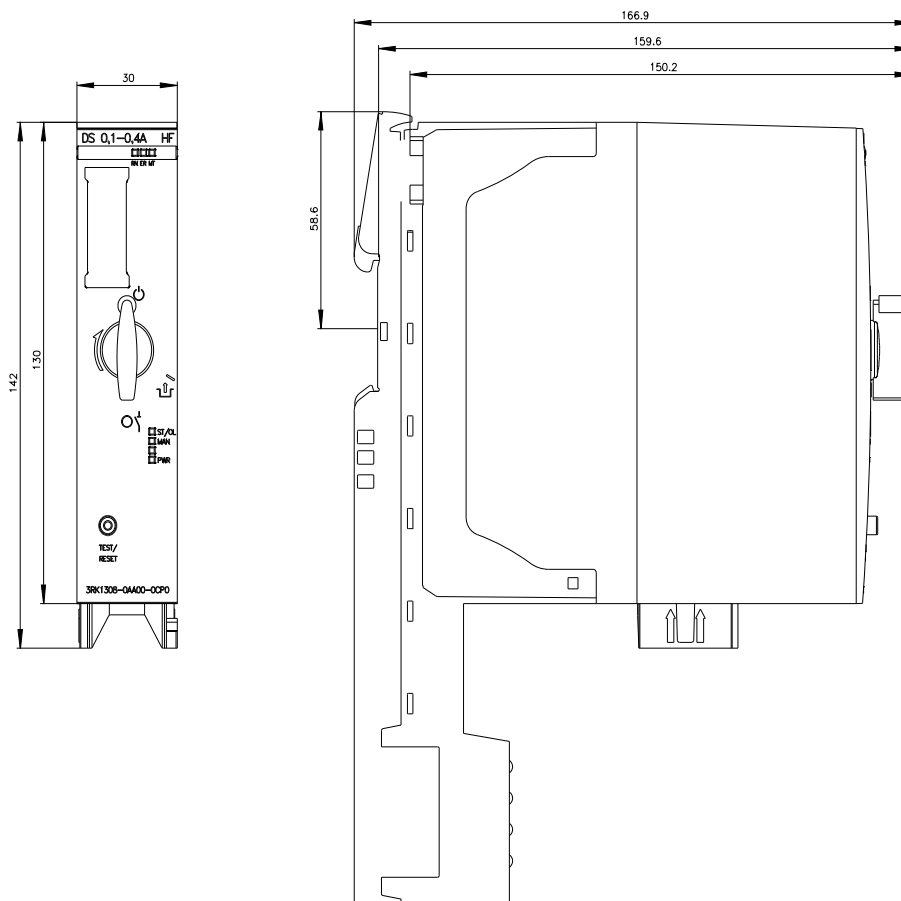
<http://support.automation.siemens.com/WW/CAXorder/default.aspx?lang=en&mlfb=3RK1308-0AA00-0CP0>

Service&Support (Manuals, Certificates, Characteristics, FAQs,...)

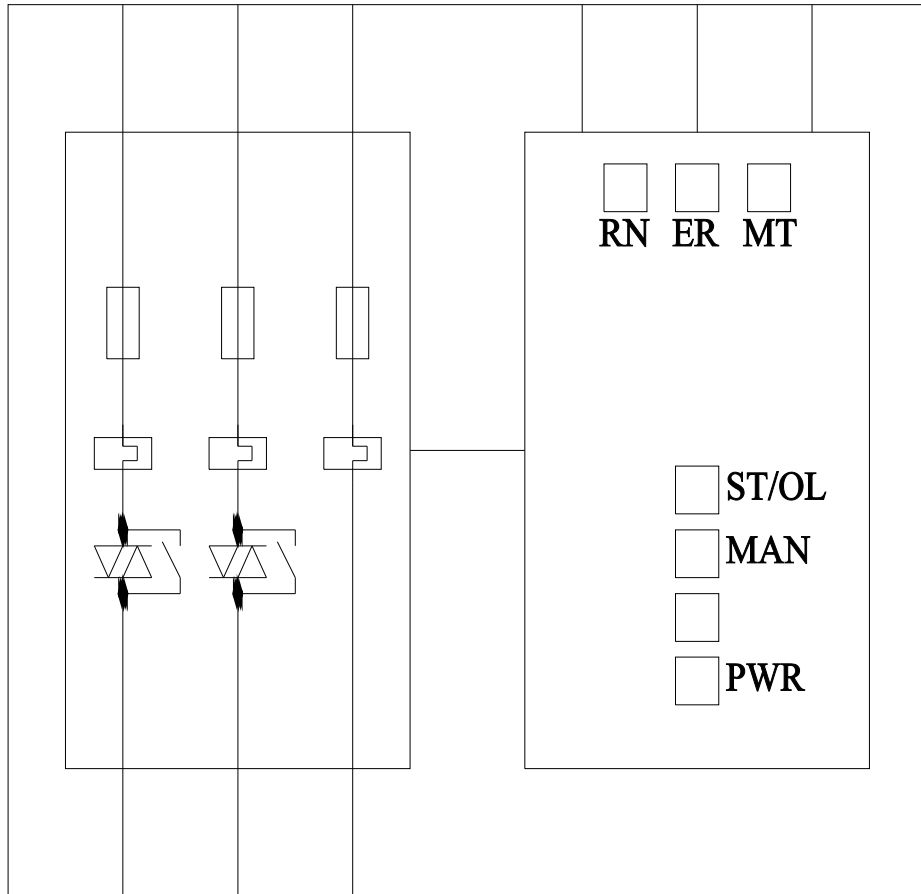
<https://support.industry.siemens.com/cs/ww/en/ps/3RK1308-0AA00-0CP0>

Image database (product images, 2D dimension drawings, 3D models, device circuit diagrams, EPLAN macros, ...)

[http://www.automation.siemens.com/bilddb/cax\\_de.aspx?mlfb=3RK1308-0AA00-0CP0&lang=en](http://www.automation.siemens.com/bilddb/cax_de.aspx?mlfb=3RK1308-0AA00-0CP0&lang=en)



-Q



last modified:

10/22/2021 