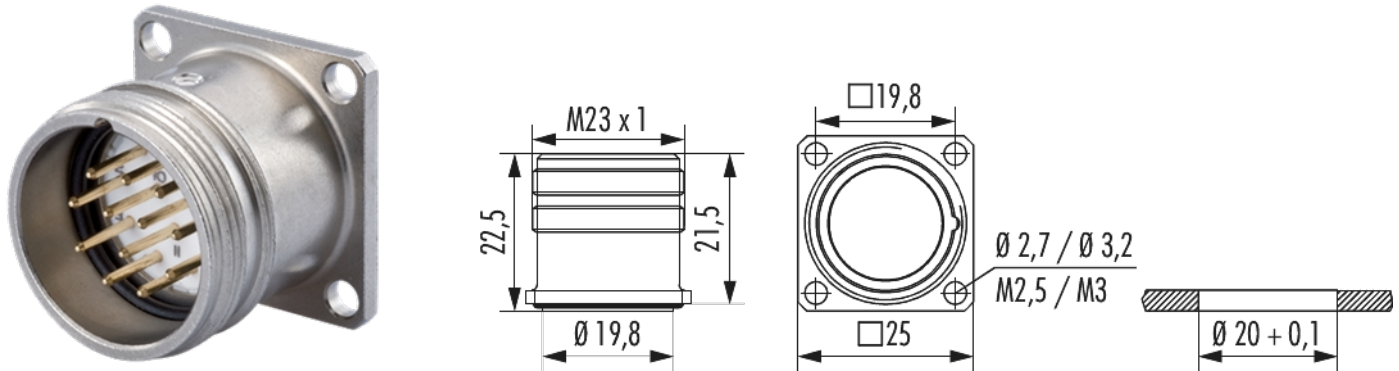


# Housing panel connector M23 Signal

Item number 7400000000



## Technical data

Housing type	Panel
Material housing	Copper-Zinc alloy
Material housing surface	Nickel
Coding	-
Installation type	Flange , Front wall
External thread plug-in side	M23 x 1
Locking type	Screw connection
Shield	unshielded
Material seals/o-rings	NBR
Coding position	
Panel hole	Ø 20 + 0,1 mm
Drill form	- mm
Flange	25 x 25 mm
Hole distance	19.8 mm
Hole diameter	4 x Ø 3,2 mm
Length (L)	22.5 mm

# Housing panel connector M23 Signal

Item number 7400000000

Allen key/Torx	-
Protection class	IP 67 , IP 69 K
Temperature range	-40°C to +125°C

# Housing panel connector M23 Signal

Item number 7400000000

## Commercial data

Packaging Unit	10
EAN code	4033878503331
Weight	0.02286 kg
ETIM 7	EC003556
ETIM 8	EC003556
eCl@ss 10.1	27440224
Customs tariff number	85366990

Note:

