





box terminal w. control wire voltage tap-off 3 units accessory for:  
3VA6 150/250



Model	
Product brand name	SENTRON
Product designation	accessories
Accessories	Box terminal
General technical data	
Designation / of the terminal	TS1.4
Connections according IEC	
IEC-marking / of terminals	NXB 25-185 mm <sup>2</sup> AWG4-350 kcmil
Connectable conductor cross-section	
<ul style="list-style-type: none"> <li>• for copper cable / stranded / minimum</li> <li>• for copper cable / stranded / maximum</li> </ul>	25 mm <sup>2</sup> 185 mm <sup>2</sup>
Wire stripping length	20 mm
Connections according UL	
UL-marking / of terminals	TS1.4 Xuebote
Wire stripping length	0.8 in

Connectable conductor cross-section	
<ul style="list-style-type: none"> <li>• for copper cable / stranded / minimum</li> <li>• for copper cable / stranded / maximum</li> <li>• for copper cable / finely stranded / minimum</li> <li>• for copper cable / finely stranded / maximum</li> </ul>	<p>4 AWG 350 kcmil</p> <p>4 AWG 350 kcmil</p>
Tightening torque / when using copper cables	
<ul style="list-style-type: none"> <li>• stranded</li> <li>• finely stranded</li> </ul>	<p>4 - 1 AWG: 70 lb-in 1/0 - 350 kcmil: 140 lb-in</p> <p>4 - 1 AWG: 70 lb-in 1/0 - 350 kcmil: 140 lb-in</p>

## Certificates

General Product Approval	EMC	Declaration of Conformity	Shipping Approval	other
<a href="#">Miscellaneous</a> 	 RCM	 EG-Konf.	 LRS	<a href="#">Manufacturer Declaration</a>

## other

[Miscellaneous](#)

## Further information

### Information- and Downloadcenter (Catalogs, Brochures,...)

<http://www.siemens.com/lowvoltage/catalogs>

### Industry Mall (Online ordering system)

<https://mall.industry.siemens.com/mall/en/en/Catalog/product?mlfb=3VA9243-0JH12>

### Service&Support (Manuals, Certificates, Characteristics, FAQs,...)

<https://support.industry.siemens.com/cs/ww/en/ps/3VA9243-0JH12>

### Image database (product images, 2D dimension drawings, 3D models, device circuit diagrams, ...)

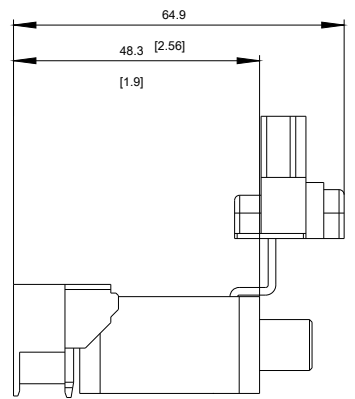
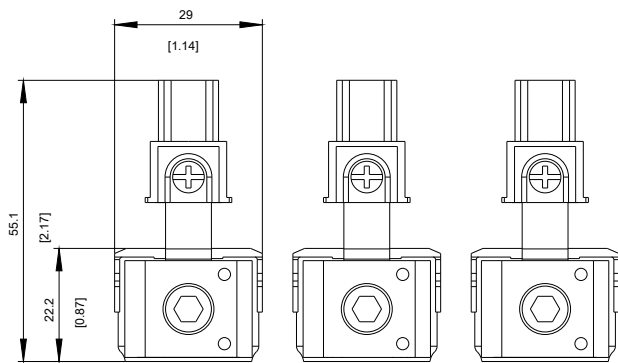
[http://www.automation.siemens.com/bilddb/cax\\_en.aspx?mlfb=3VA9243-0JH12](http://www.automation.siemens.com/bilddb/cax_en.aspx?mlfb=3VA9243-0JH12)

### CAX-Online-Generator

<http://www.siemens.com/cax>

### Tender specifications

<http://www.siemens.com/specifications>



last modified:

08/08/2020 