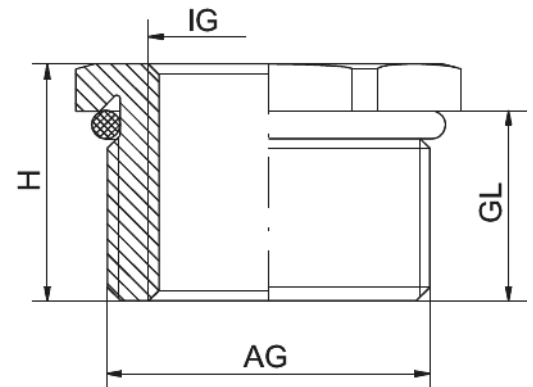
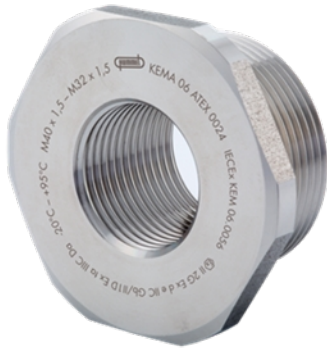


Reduction RSD-INOX-Ex-d

Item number 1899322550



Technical data

Material	INOX 1.4404
Material o-ring	VMQ (silicone)
Protection class	IP 68 - 10 bar, IP 69 K
Ex-protection level	II 1D Ex ta IIIC Da, II 2G Ex db eb IIC Gb
Temperature range	-60°C to +180°C
Tightening torque	15 Nm
Variant	Metric
External thread (AG)	M32 x 1,5
Internal thread (IG)	M 25 x 1,5
Thread length (GL)	16 mm
Height (H)	20,5 mm
Wrench size (SW)	41 mm

Reduction RSD-INOX-Ex-d

Item number 1899322550

Commercial data

Packaging Unit	5
EAN code	4033878445921
Weight	0.05891 kg
ETIM 7	EC000938
eCl@ss 10.1	27-14-44-34
Customs tariff number	73072910

Note:

