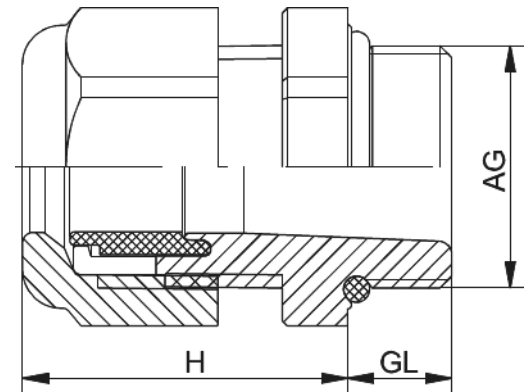


HSK-K-Ex-Active

Item number 1292320230



Technical data

Material	Polyamide, fiber reinforced
Seal	NBR
Material o-ring	NBR
Protection class	IP 68 - 10 bar
Ex-protection level	Class I Div 2 Groups A,B,C,D, Class II Div 1 Groups E,F,G , II 1D Ex ta IIIC Da, II 2G Ex eb IIC Gb
Temperature range	-20°C to +85°C
Colour	blue-black
RAL	5012, 9005
Variant	Metric-long
External thread (AG)	M32 x 1,5
Cable diameter	18 - 25 mm
Thread length (GL)	15 mm
Height (H)	39 mm
Wrench size (SW1/SW2)	42/42 mm

HSK-K-Ex-Active

Item number 1292320230

Tightening torque 6,5 Nm

HSK-K-Ex-Active

Item number 1292320230

Commercial data

Packaging Unit	25
EAN code	4033878416426
Weight	0.0442 kg
ETIM 7	EC000441
eCl@ss 10.1	27-14-44-34

Note:

