

Accessory for SIRIUS 3RM1 Cover cap for busbars








General technical data		
Product brand name		SIRIUS
Product designation		Cover cap
Design of the product		For 3 connection tags of the three-phase busbars
Suitability for use		Busbars 3RM1910
Product function Short circuit protection		No
Installation altitude at height above sea level maximum	m	2 000
Ambient temperature		
• during operation	°C	-25 ... +60
• during transport	°C	-40 ... +70
• during storage	°C	-40 ... +70
Insulation voltage rated value	V	500
Safety related data		
Protection against electrical shock		finger-safe
Main circuit		
Relative symmetrical tolerance of the operating voltage	%	10

## Installation/ mounting/ dimensions

Mounting position		any
Mounting type		snap-on mounting
Width	mm	23
Height	mm	26
Depth	mm	7

## Certificates/ approvals

General Product Approval	EMC	Declaration of Conformity			
 CSA	 UL	 EAC	 RCM	 EG-Konf.	<a href="#">Miscellaneous</a>

Test Certificates	other	Railway
<a href="#">Type Test Certificates/Test Report</a>	<a href="#">Confirmation</a>	<a href="#">Special Test Certificate</a>

## Further information

### Information- and Downloadcenter (Catalogs, Brochures,...)

<https://www.siemens.com/ic10>

### Industry Mall (Online ordering system)

<https://mall.industry.siemens.com/mall/en/en/Catalog/product?mlfb=3RM1910-6AA>

### Cax online generator

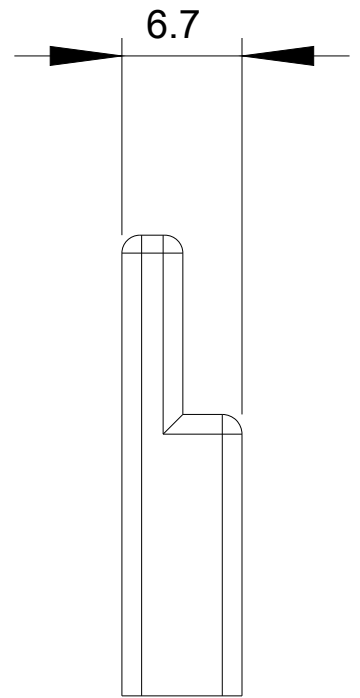
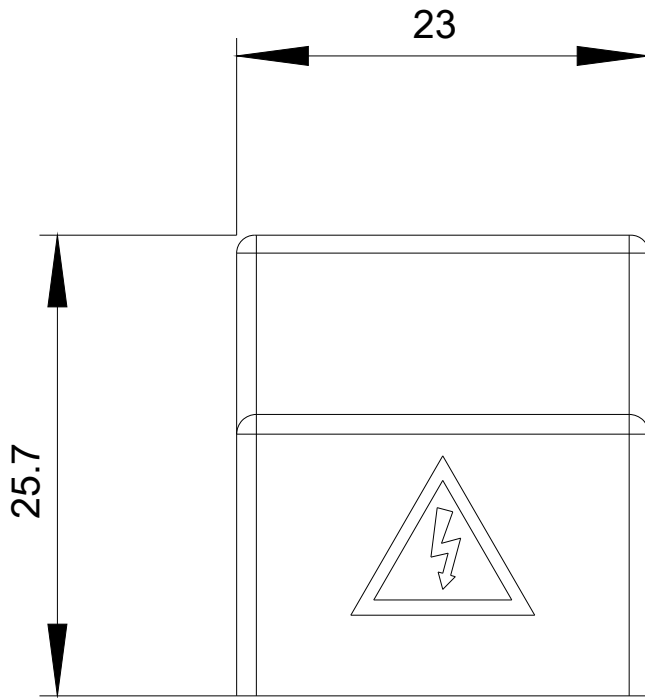
<http://support.automation.siemens.com/WW/CAXorder/default.aspx?lang=en&mlfb=3RM1910-6AA>

### Service&Support (Manuals, Certificates, Characteristics, FAQs,...)

<https://support.industry.siemens.com/cs/ww/en/ps/3RM1910-6AA>

### Image database (product images, 2D dimension drawings, 3D models, device circuit diagrams, EPLAN macros, ...)

[http://www.automation.siemens.com/bilddb/cax\\_de.aspx?mlfb=3RM1910-6AA&lang=en](http://www.automation.siemens.com/bilddb/cax_de.aspx?mlfb=3RM1910-6AA&lang=en)



last modified:

04/07/2020 