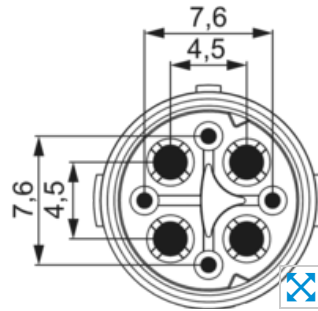
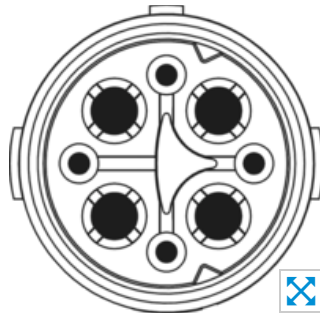


7.003.908.101 M16 inserts – 8-pole

Characteristic of connection	Crimp
Coding	PE
Contact-Ø power	1.25 mm
Contact-Ø signal	0.8 mm
Flammability	V-0 (UL 94)
Insert	Pin
Insulation resistance power	> 10 ¹⁰ Ω
Insulation resistance signal	> 10 ¹⁰ Ω
Material insulating body	PA 6, PBT
Max. contact resistance power	3 mΩ
Max. contact resistance signal	3 mΩ
Nominal current power	16 A
Nominal voltage at degree of pollution 3 power	600 V~
Nominal voltage at degree of pollution 3 signal	300 V~
Nominal current signal	5 A
Number of contacts PE	1
Number of contacts power	4
Number of contacts signal	4
Number of poles	8
Pole picture	4 + 3 + PE
Suitable crimping tool	7000900904
Temperature range	-40°C to +125°C
Terminal cross section power	0.34 – 1,5 mm ²
Terminal cross section signal	0.08 – 0.34 mm ²
Test voltage power	2500 V~

- // Crimp insert without contacts
- // [M16 housing](#)
- // [M16 Accessories](#)
- // You can find further information in the [Technology Center](#)
- // [M16 Contacts](#)



[Certificates for download](#)

