

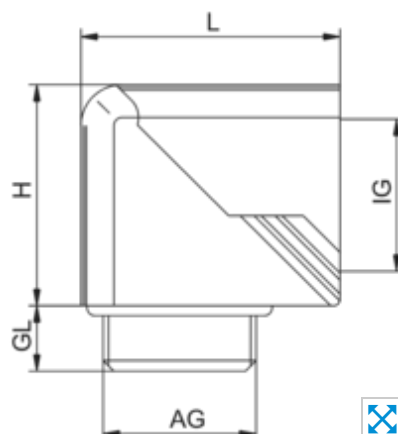
1.315.2101.11 90° Snap Elbow PG

Made of polyamide

Colour	black
External thread	PG 21
Height	40 mm
Internal thread	PG 21
Length	49 mm
Material	Polyamide
Material O-Ring	NBR
Max. bending radius	10 mm
Product Group	Accessories
Protection category	IP 68
Temperature range	-20 - 80 °C
Thread length	11 mm
Variant	PG
Wrench size 1	33 mm

Additional information

// [Note on storage of articles with elastomer components](#)



Certificates



RoHS



