

Coupling link for direct coil mounting, 24 V DC, 1 NO, 1 NC for motor contactors size S0 screw terminal connection B1/B2 for 1 NO



General technical data:		
Product brand name		SIRIUS
Size of contactor		S0
Protection class IP on the front		IP20
Degree of pollution		3
Product component protective wiring		Yes
Ambient temperature		
• during storage	°C	-40 ... +80
• during operation	°C	-25 ... +60
Insulation voltage rated value	V	300
Control circuit/ Control:		
Type of voltage of the control supply voltage		DC
Control supply voltage 1		
• at DC		
— rated value	V	24
Operating range factor control supply voltage rated value of magnet coil		
• at DC		0.7 ... 1.25

Auxiliary circuit:

Number of NO contacts for auxiliary contacts instantaneous contact		1
Operating current of auxiliary contacts		
<ul style="list-style-type: none"> • at AC-12 <ul style="list-style-type: none"> — at 24 V — at 230 V • at AC-15 <ul style="list-style-type: none"> — at 24 V — at 230 V • at DC-13 <ul style="list-style-type: none"> — at 24 V — at 110 V — at 220 V 	A A A A A A A	6 6 3 3 1 0.2 0.1

Installation/ mounting/ dimensions:

Mounting position		any
Mounting type		direct mounting
Width	mm	45
Height	mm	35
Depth	mm	50

Connections/ Terminals:

Type of connectable conductor cross-sections		
<ul style="list-style-type: none"> • for auxiliary contacts <ul style="list-style-type: none"> — solid — finely stranded — with core end processing 		2x (0.5 ... 1.5 mm ²), 2x (0.75 ... 2.5 mm ²) 2x (0.5 ... 1.5 mm ²)

Certificates/ approvals:

General Product Approval	EMC	Declaration of Conformity
--------------------------	-----	---------------------------



CCC



CSA



UL



RCM



EG-Konf.

Declaration of Conformity	Test Certificates	Shipping Approval
---------------------------	-------------------	-------------------

[Miscellaneous](#)

[Type Test Certificates/Test Report](#)



ABS



BUREAU VERITAS



LRS



PRS

Shipping Approval	other	Railway
-------------------	-------	---------



RINA



RMRS

[Confirmation](#)



VDE

[Vibration and Shock](#)

Further information

Information- and Downloadcenter (Catalogs, Brochures,...)

<http://www.siemens.com/industrial-controls/catalogs>

Industry Mall (Online ordering system)

<http://www.siemens.com/industrymall>

Cax online generator

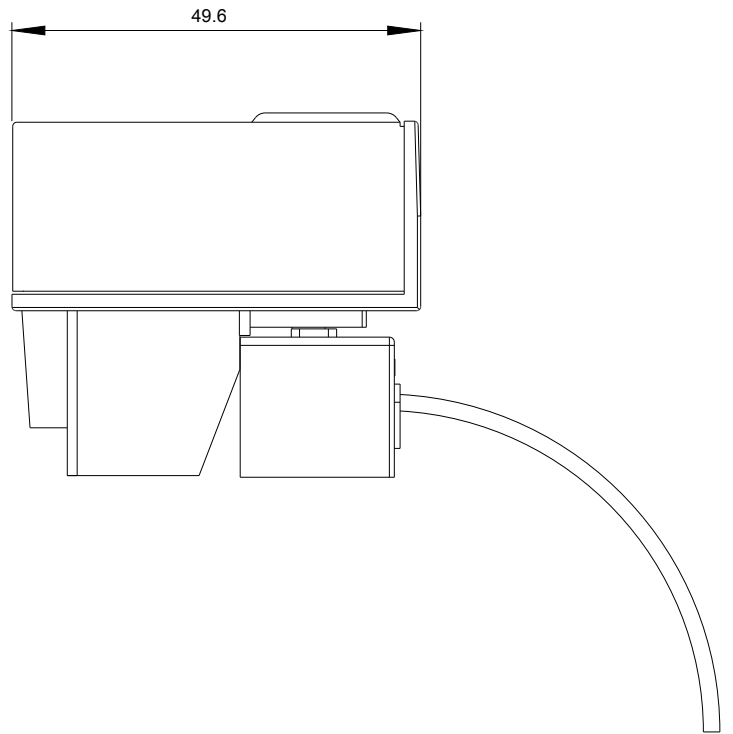
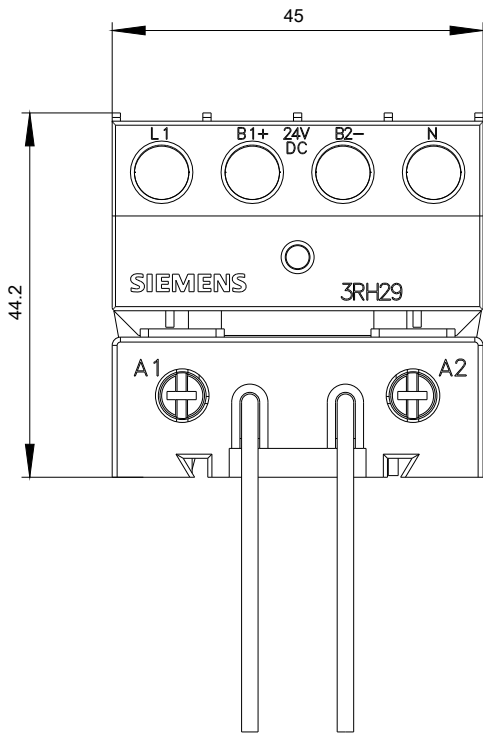
<http://support.automation.siemens.com/WW/CAXorder/default.aspx?lang=en&mfb=3RH2924-1GP11>

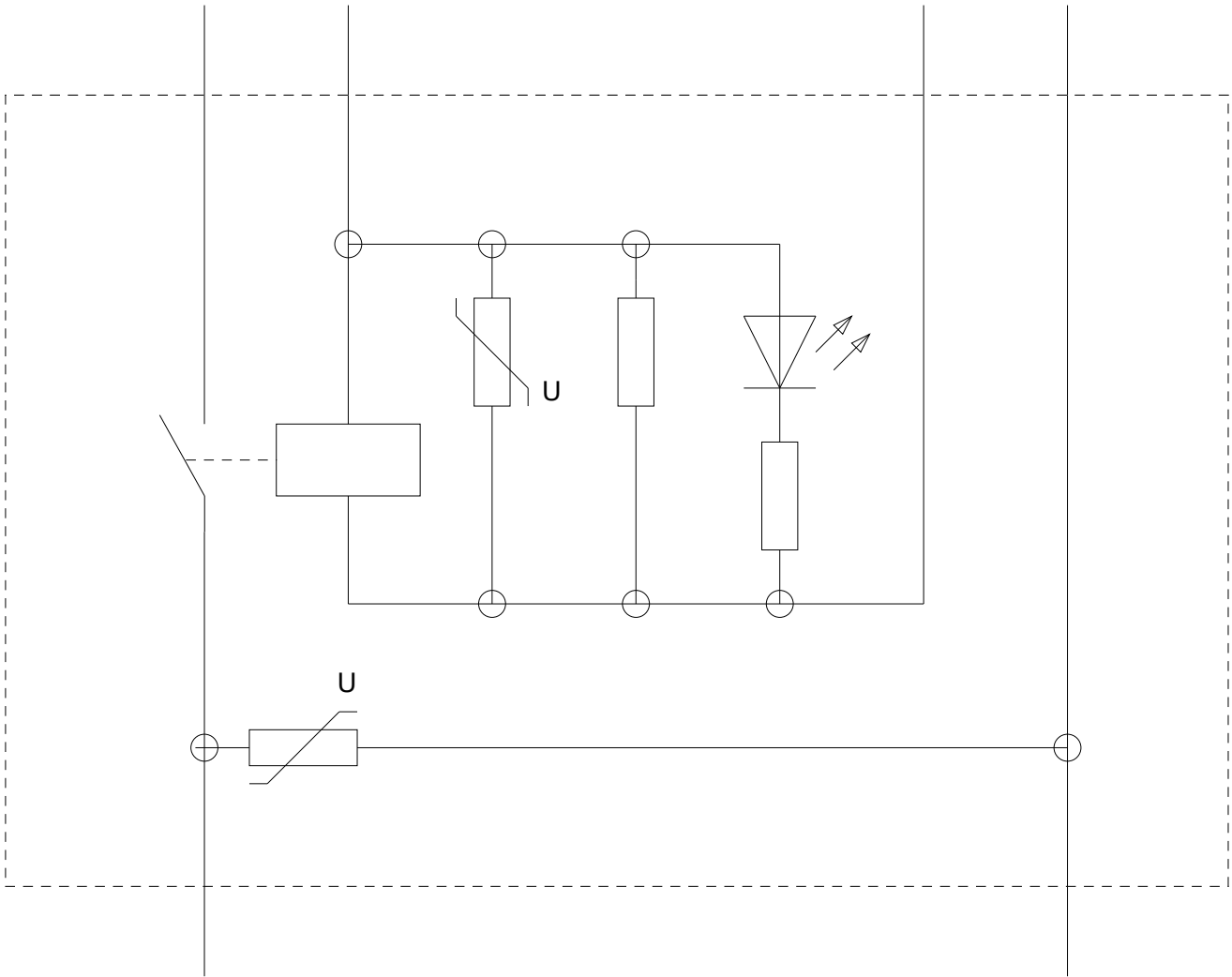
Service&Support (Manuals, Certificates, Characteristics, FAQs,...)

<https://support.industry.siemens.com/cs/ww/en/ps/3RH2924-1GP11>

Image database (product images, 2D dimension drawings, 3D models, device circuit diagrams, EPLAN macros, ...)

http://www.automation.siemens.com/bilddb/cax_de.aspx?mfb=3RH2924-1GP11&lang=en





last modified:

11/27/2019