

Position switch in compact design 30 mm wide with connection cable
2 m Snap-action contacts 1 NO+1 NC with roller plunger with central
mounting



Product brand name	SIRIUS
Product designation	Mechanical position switches
Product type designation	3SE5
Suitability for use safety switch	Yes

General technical data

Product function	
• positive opening	Yes
Degree of pollution	3
Surge voltage resistance rated value	4 kV
Protection class IP	IP67
Shock resistance	
• acc. to IEC 60068-2-27	30 g / 11 ms
Mechanical service life (switching cycles)	
• typical	5 000 000
Electrical endurance (switching cycles)	
• at AC-15 at 230 V typical	100 000
Electrical endurance (switching cycles) with contactor 3RH11, 3RT1016, 3RT1017, 3RT1024, 3RT1025, 3RT1026 typical	500 000

Electrical operating cycles in one hour with contactor 3RH11, 3RT1016, 3RT1017, 3RT1024, 3RT1025, 3RT1026	1 800
Thermal current	10 A
Material of the enclosure of the switch head	stainless steel
Reference code acc. to DIN EN 81346-2	B
Reference code acc. to DIN EN 61346-2	B
Active principle	mechanical
Repeat accuracy	0.05 mm
Minimum actuating force in activation direction	15 N
Length of the sensor	70 mm
Width of the sensor	30 mm
Design of the switching contact	mechanical
Operating frequency rated value	50 ... 60 Hz
Number of NC contacts for auxiliary contacts	1
Number of NO contacts for auxiliary contacts	1
Number of CO contacts for auxiliary contacts	1
Operating current at AC-15	
• at 125 V rated value	6 A
• at 230 V rated value	3 A
Operating current at DC-13	
• at 125 V rated value	0.55 A
• at 230 V rated value	0.27 A
Design of the interface for safety-related communication	without

Enclosure

Design of the housing	block
Material of the enclosure	metal
Coating of the enclosure	painted
Design of the housing acc. to standard	No
Material of cable sheath	PVC

Drive Head

Design of the operating mechanism	roller plunger
Shape of the switch head	roller
Design of the switching function	snap-action contact
Circuit principle	snap-action contacts
Number of switching contacts safety-related	1

Connections/ Terminals

Type of electrical connection	cable connection 5m x 0.75 mm ² PVC
-------------------------------	--

Communication/ Protocol

Design of the interface	without
-------------------------	---------

Ambient conditions

Explosion protection category for dust	none
--	------

Installation/ mounting/ dimensions

Mounting position	any
-------------------	-----

Mounting type	screw fixing
---------------	--------------

Certificates/ approvals

General Product Approval	Declaration of Conformity
--------------------------	---------------------------



[KC](#)



[Miscellaneous](#)

other

[Confirmation](#)

Further information

Information- and Downloadcenter (Catalogs, Brochures,...)

www.siemens.com/sirius/catalogs

Industry Mall (Online ordering system)

<https://mall.industry.siemens.com/mall/en/en/Catalog/product?mlfb=3SE5413-0CD21-1EA2>

Cax online generator

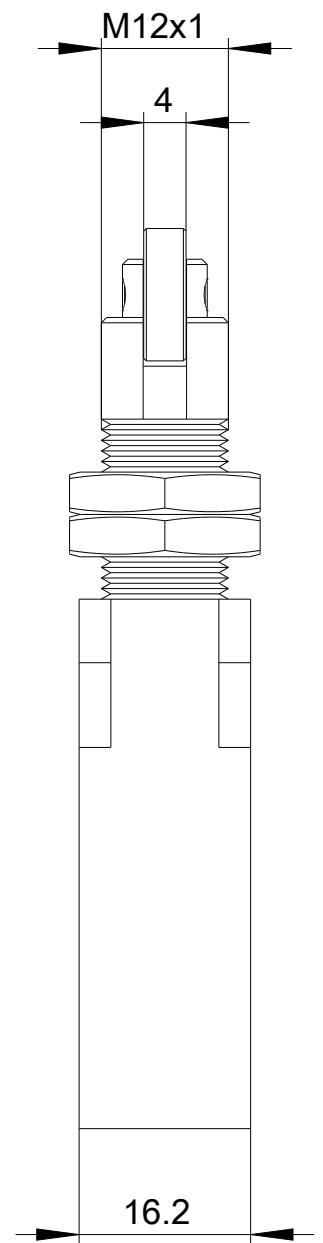
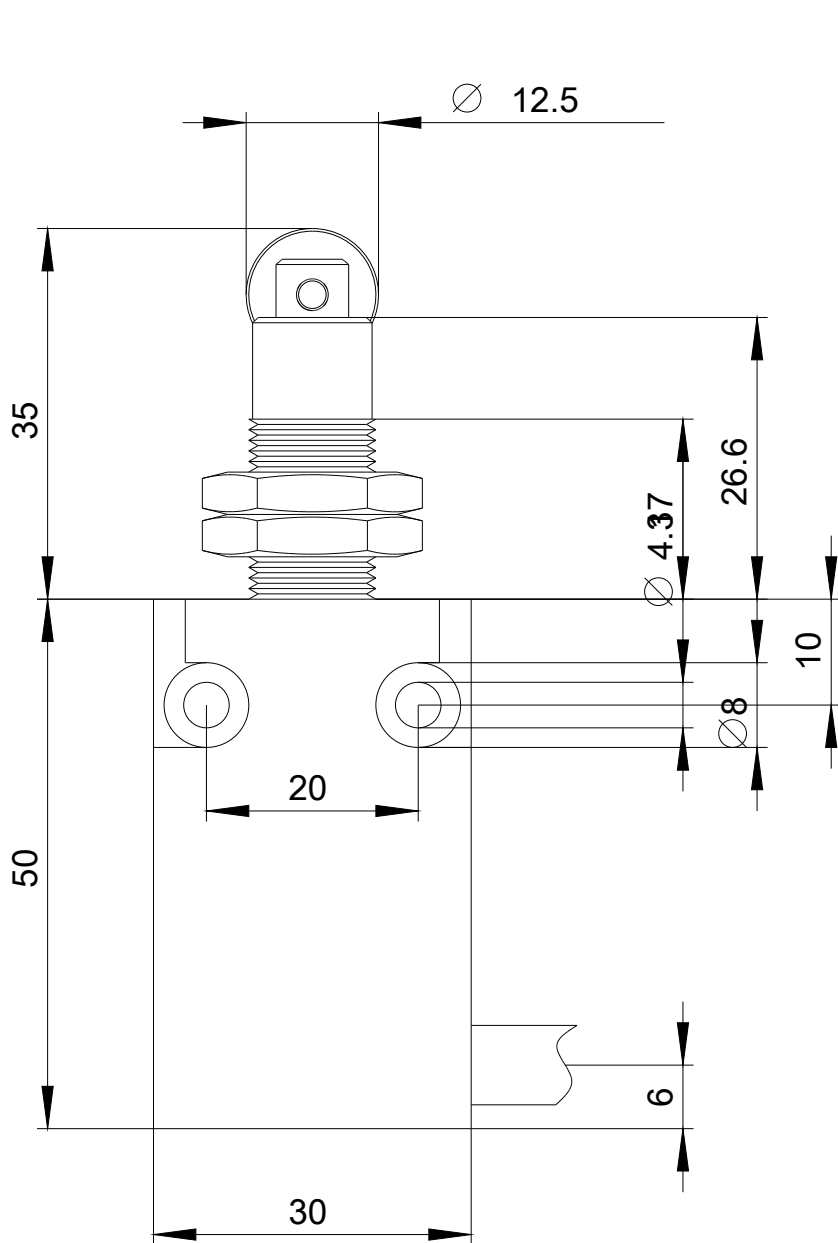
<http://support.automation.siemens.com/WW/CAXorder/default.aspx?lang=en&mlfb=3SE5413-0CD21-1EA2>

Service&Support (Manuals, Certificates, Characteristics, FAQs,...)

<https://support.industry.siemens.com/cs/ww/en/ps/3SE5413-0CD21-1EA2>

Image database (product images, 2D dimension drawings, 3D models, device circuit diagrams, EPLAN macros, ...)

http://www.automation.siemens.com/bilddb/cax_de.aspx?mlfb=3SE5413-0CD21-1EA2&lang=en





last modified:

07/26/2019