

Two-hand operation console for command devices, 22 mm, round, Enclosure material metal, enclosure top part gray, 3 control points metal, standard equipment: 2 mushroom pushbuttons black 40 mm, 2x1NO+1NC, screw terminal, 1 EMERGENCY STOP red, 40 mm, 2 NC, screw terminal,



Product brand name	SIRIUS ACT
Product designation	Two-hand operation console
Product type designation	3SU1
Manufacturer's article number	<ul style="list-style-type: none"> • of supplied contact module R2 = 3SU1400-1AA10-1BA0 / L2 = 3SU1400-1AA10-1BA0 / M1 = 3SU1400-1AA10-1CA0 / R1 = 3SU1400-1AA10-1CA0 / L1 = 3SU1400-1AA10-1CA0 / M2 = 3SU1400-1AA10-1CA0 3SU1400-1AA10-1CA0 • of supplied contact module at the command point A 1 3SU1400-1AA10-1BA0 • of supplied contact module at the command point A 3 3SU1400-1AA10-1CA0 • of supplied contact module at the command point B 1 3SU1400-1AA10-1CA0 • of supplied contact module at the command point B 3 3SU1400-1AA10-1CA0 • of supplied contact module at the command point C 1 3SU1400-1AA10-1CA0 • of supplied contact module at the command point C 3 3SU1400-1AA10-1BA0 • of the supplied holder at the command point A 3SU1550-0AA10-0AA0

- of the supplied holder at the command point B
- of the supplied holder at the command point C
- of the supplied actuator at the command point A
- of the supplied actuator at the command point B
- of the supplied actuator at the command point C
- of supplied empty enclosure
- of the supplied accessories at the command point B

[3SU1550-0AA10-0AA0](#)
[3SU1550-0AA10-0AA0](#)
[3SU1050-1BD10-0AA0](#)
[3SU1050-1HB20-0AA0](#)
[3SU1050-1BD10-0AA0](#)
[3SU1853-3AA00-0AA1](#)
[3SU1900-0BB31-0ATO](#)

Enclosure

Design of the housing	Two-hand operating console with standard components
Material of the enclosure	metal
Number of command points	3
Color	
• of top part of the enclosure	grey
Delivery state	
• as a kit	No
• pre-wired on strip terminal	No
Mounting type of the enclosure	Horizontal

Actuator

Design of the operating mechanism	A = mushroom pushbutton / B = EMERGENCY STOP mushroom pushbutton / C = mushroom pushbutton
Manner of function of the actuating element	A = momentary contact / B = latching / C = momentary contact
Product feature	
• lockout	No
• staggered switching	No
Color	
• of the actuating element	A = black / B = red / C = black
Material of the actuating element	metal
Shape of the actuating element	round
Number of contact modules	6
Type of unlocking device	A = none / B = rotate to unlock / C = none

Front ring

Product component front ring	Yes
Material of the front ring	metal
Color of the front ring	silver

Holder

Material of the holder	Metal
-------------------------------	-------

General technical data

Product function	
• positive opening	Yes
• EMERGENCY OFF function	Yes
• EMERGENCY STOP function	Yes
Product component	
• Stand/pedestal	No
Protection class IP	IP66
Degree of protection NEMA rating	NEMA 1, 2, 3, 3R, 4, 4X, 12, 13
Shock resistance	
• acc. to IEC 60068-2-27	Sinusoidal half-wave 50 g / 11 ms
Reference code acc. to DIN EN 81346-2	S
Reference code acc. to DIN EN 61346-2	S
Continuous current of the C characteristic MCB	10 A; for a short-circuit current smaller than 400 A
Continuous current of the quick DIAZED fuse link	10 A
Continuous current of the DIAZED fuse link gG	10 A

Auxiliary circuit	
Design of the contact of auxiliary contacts	Silver alloy
Number of NC contacts for auxiliary contacts	4
Number of NO contacts for auxiliary contacts	2
Number of CO contacts	
• for auxiliary contacts	0

Connections/Terminals	
Type of electrical connection on enclosure	Cable routing at the rear 2 x M25

Safety related data	
B10 value	
• with high demand rate acc. to SN 31920	100 000
Proportion of dangerous failures	
• with low demand rate acc. to SN 31920	20 %
• with high demand rate acc. to SN 31920	20 %
Failure rate [FIT]	
• with low demand rate acc. to SN 31920	100 FIT
T1 value for proof test interval or service life acc. to IEC 61508	20 y

Ambient conditions	
Ambient temperature	
• during operation	-25 ... +70 °C
• during storage	-40 ... +80 °C
Environmental category during operation acc. to IEC 60721	3M6, 3S2, 3B2, 3C3, 3K6 (with relative air humidity of 10 ... 95 %, no condensation in operation permitted for all devices behind front panel)

Installation/ mounting/ dimensions

- Mounting type of modules and accessories

Front plate mounting

(height)	185.6 mm
Width	492.4 mm
Depth	159.5 mm

Accessories

Number of backing plates	1
Marking of backing plate	EMERGENCY-STOP
Color of backing plate	Yellow

Certificates/approvals

General Product Approval



CCC



UL



VDE



EG-Konf.

[Miscellaneous](#)

Test Certificates

Marine / Shipping

[Type Test Certificates/Test Report](#)



ABS



LRS



PRS



RINA



RMRS

Marine / Shipping

other



[Confirmation](#)

Further information

Information- and Downloadcenter (Catalogs, Brochures,...)

<http://www.siemens.com/industrial-controls/catalogs>

Industry Mall (Online ordering system)

<https://mall.industry.siemens.com/mall/en/en/Catalog/product?mfb=3SU1853-3NB00-1AA1>

Cax online generator

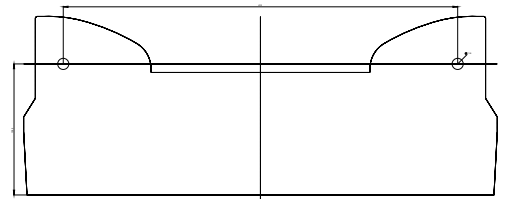
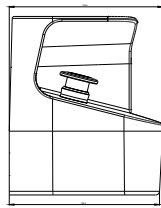
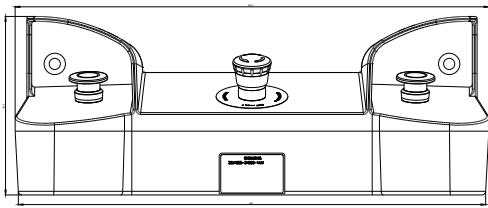
<http://support.automation.siemens.com/WW/CAXorder/default.aspx?lang=en&mfb=3SU1853-3NB00-1AA1>

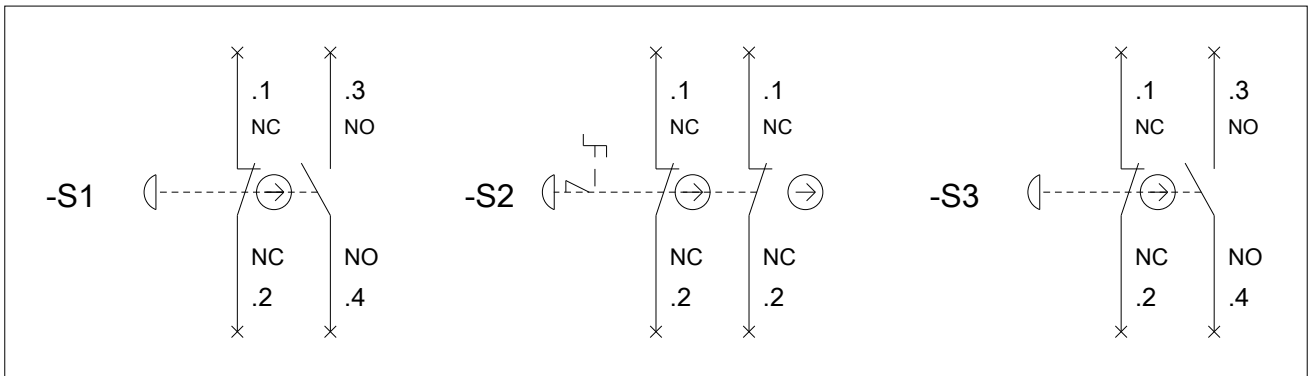
Service&Support (Manuals, Certificates, Characteristics, FAQs,...)

<https://support.industry.siemens.com/cs/ww/en/ps/3SU1853-3NB00-1AA1>

Image database (product images, 2D dimension drawings, 3D models, device circuit diagrams, EPLAN macros, ...)

http://www.automation.siemens.com/bilddb/cax_de.aspx?mfb=3SU1853-3NB00-1AA1&lang=en





last modified:

05/09/2019