

Illuminated mushroom pushbutton, 22 mm, round, metal, shiny, white, 30 mm, momentary contact type



| | |
|--------------------------|-----------------------------|
| Product brand name | SIRIUS ACT |
| Product designation | Mushroom pushbuttons |
| Design of the product | Actuating/signaling element |
| Product type designation | 3SU1 |

Enclosure

| | |
|--------------------------|---|
| Number of command points | 1 |
|--------------------------|---|

Actuator

| | |
|---|------------------------|
| Design of the operating mechanism | illuminated |
| Manner of function of the actuating element | Momentary contact type |
| Product extension optional Light source | Yes |
| Color | |
| • of the actuating element | White |
| Material of the actuating element | plastic |
| Shape of the actuating element | round |
| Outer diameter of the actuating element | 30 mm |
| Number of switching positions | 2 |

Front ring

| | |
|------------------------------|-----|
| Product component front ring | Yes |
|------------------------------|-----|

| | |
|-----------------------------------|-------------------|
| Design of the front ring | Standard |
| Material of the front ring | Metal, high gloss |
| Color of the front ring | silver |

General technical data

| | |
|---|-----------------------------------|
| Product function | |
| • EMERGENCY OFF function | No |
| • EMERGENCY STOP function | No |
| Protection class IP | IP66, IP67, IP69(IP69K) |
| Degree of protection NEMA rating | NEMA 1, 2, 3, 3R, 4, 4X, 12, 13 |
| Shock resistance | |
| • acc. to IEC 60068-2-27 | Sinusoidal half-wave 50 g / 11 ms |
| Operating frequency maximum | 3 600 1/h |
| Mechanical service life (switching cycles) | |
| • typical | 3 000 000 |
| Reference code acc. to DIN EN 81346-2 | S |
| Reference code acc. to DIN EN 61346-2 | S |

Ambient conditions

| | |
|---|---|
| Ambient temperature | |
| • during operation | -25 ... +70 °C |
| • during storage | -40 ... +80 °C |
| Environmental category during operation acc. to IEC 60721 | 3M6, 3S2, 3B2, 3C3, 3K6 (with relative air humidity of 10 ... 95 %) |

Installation/ mounting/ dimensions

| | |
|--|---------|
| (height) | 30 mm |
| Width | 30 mm |
| Shape of the installation opening | round |
| Mounting diameter | 22.3 mm |
| Positive tolerance of installation diameter | 0.4 mm |
| Mounting height | 27.5 mm |
| Installation width | 30 mm |
| Installation depth | 24.4 mm |

Certificates/approvals

| General Product Approval | Declaration of Conformity | Test Certificates |
|--------------------------|---------------------------|-------------------|
|--------------------------|---------------------------|-------------------|



[Miscellaneous](#)

[Type Test Certificates/Test Report](#)

Marine / Shipping



other

[Confirmation](#)

Further information

Information- and Downloadcenter (Catalogs, Brochures,...)

<http://www.siemens.com/industrial-controls/catalogs>

Industry Mall (Online ordering system)

<https://mall.industry.siemens.com/mall/en/en/Catalog/product?mlfb=3SU1051-1AD60-0AA0>

Cax online generator

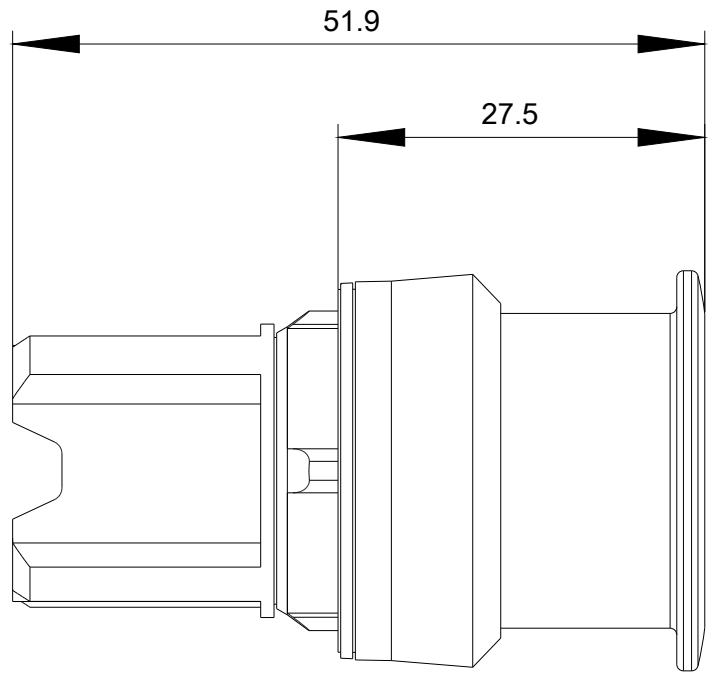
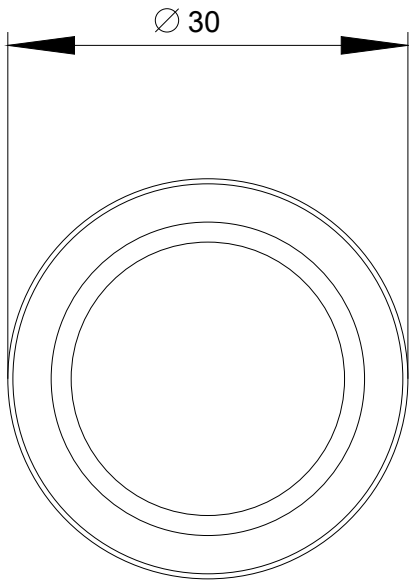
<http://support.automation.siemens.com/WW/CAXorder/default.aspx?lang=en&mlfb=3SU1051-1AD60-0AA0>

Service&Support (Manuals, Certificates, Characteristics, FAQs,...)

<https://support.industry.siemens.com/cs/ww/en/ps/3SU1051-1AD60-0AA0>

Image database (product images, 2D dimension drawings, 3D models, device circuit diagrams, EPLAN macros, ...)

http://www.automation.siemens.com/bilddb/cax_de.aspx?mlfb=3SU1051-1AD60-0AA0&lang=en



last modified:

07/26/2019