

Pilot 110 - 150



- + Polyamide hand enclosure for automation and control engineering
- + Execution with handle and integrated cable entry
- + Large installation space

Included in delivery

Enclosure with handle, including cable gland M 20 x 1.5, front plate, enclosure and front panel screws, and wall holder

Technical data

Material	Polyamide; front plate: Polystyrene
Ingress protection	IP65 to EN 60529
Impact resistance	7 Joule, EN 60079-0
Flammability	UL 94 HB
Colour	RAL 1003, signal yellow Pilot 30: RAL 1021, rape yellow
Temperature range	-40 °C to +60 °C



Pilot 110 - 150

Product range

Type	Order No.	Enclosure dimensions incl. handle H x W x D (mm)	Front plate dimensions H x W (mm)	Mounting depth (mm)
Pilot 110	29.21 10 00	85 x 85 x 191	77 x 77	63,5
Pilot 120	29.21 20 00	115 x 85 x 191	107 x 77	63,5
Pilot 130	29.21 30 00	85 x 85 x 221	77 x 107	63,5
Pilot 140	29.21 40 00	160 x 85 x 211	152 x 97	63,5
Pilot 150	29.21 50 00	105 x 85 x 266	97 x 152	63,5

Accessories

Wall holder



Order No.	Execution
29.00 00 80	Magnetic wall holder for Pilot 120 - 150

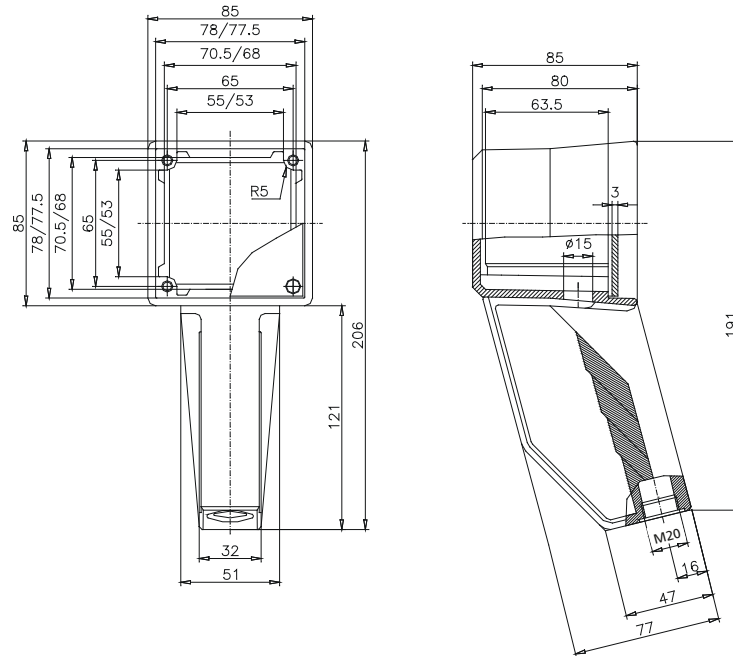
Other accessories see chapter „Electro-mechanical components“

Pilot 110 - 150

Technical details

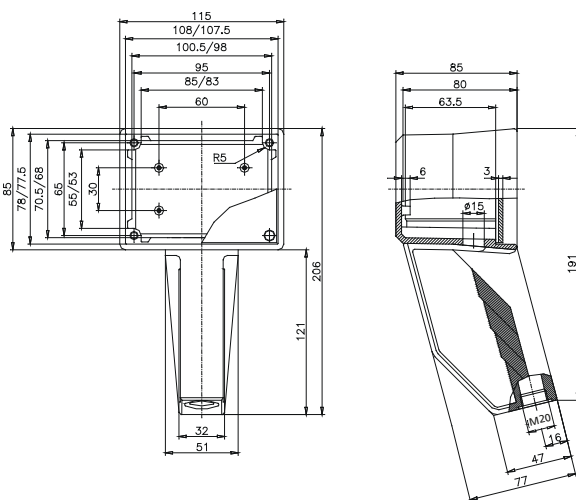


Type	Order No.	Weight (g)
Pilot 110	29.21 10 00	500

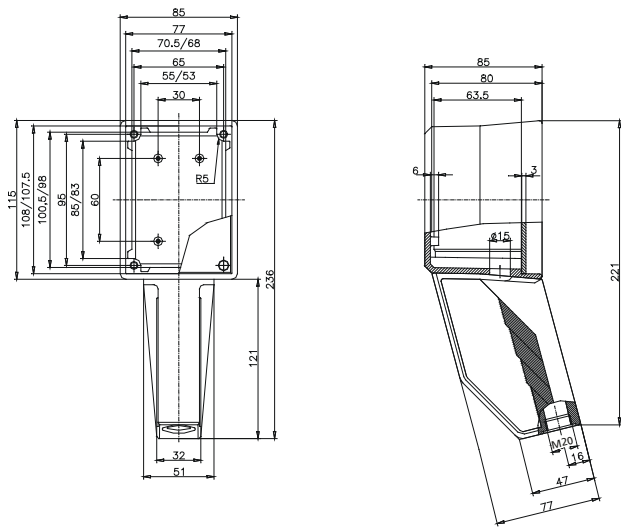


Type	Order No.	Weight (g)
Pilot 120	29.21 20 00	341
Pilot 130	29.21 30 00	341

Pilot 120



Pilot 130



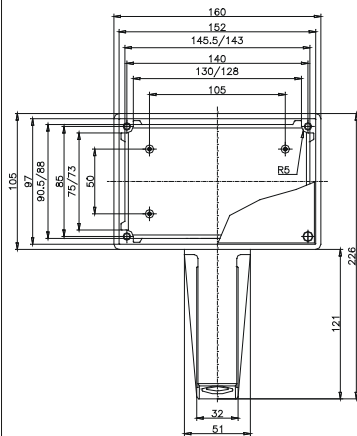
Pilot 110 - 150

Technical details



Type	Order No.	Weight (g)
Pilot 140	29.21 40 00	780
Pilot 150	29.21 50 00	780

Pilot 140



Pilot 150

