

Safety position switch with separate actuator Plastic enclosure 40 mm 1 x (M20 x 1.5) Slow-action contacts 1 NO+2 NC with 2 LEDs yellow/green 24 V DC 5 directions of approaches The matching separate actuator 3SE5000-0AV0. must be ordered separately



<b>Product brand name</b>	SIRIUS
<b>Product designation</b>	Mechanical safety switches
<b>Product type designation</b>	3SE5
<b>Manufacturer's article number</b>	<ul style="list-style-type: none"> <li>3SE5000-0AV01 standard actuator, 3SE5000-0AV02 actuator with vertical mounting, 3SE5000-0AV03 actuator with horizontal mounting, 3SE5000-0AV04 radius actuator left, 3SE5000-0AV05 universal actuator, 3SE5000-0AV06 radius actuator right, 3SE5000-0AV07 heavy-duty actuator, 3SE5000-0AW11 plastic actuator, 3SE5000-0AW21 stainless steel actuator</li> </ul>
<ul style="list-style-type: none"> <li>of the optional actuators</li> </ul>	
<ul style="list-style-type: none"> <li>of the supplied empty enclosure with cover</li> </ul>	<a href="#">3SE5132-0AA00</a>
Suitability for use safety switch	Yes

### General technical data

<b>Product function</b>	Yes
<ul style="list-style-type: none"> <li>positive opening</li> </ul>	
<b>Insulation voltage</b>	400 V
<ul style="list-style-type: none"> <li>rated value</li> </ul>	
<b>Degree of pollution</b>	class 3
<b>Surge voltage resistance rated value</b>	6 kV
<b>Protection class IP</b>	IP66/IP67

<b>Shock resistance</b>	
• acc. to IEC 60068-2-27	30 g / 11 ms
<b>Vibration resistance</b>	
• acc. to IEC 60068-2-6	0.35 mm/5g
<b>Mechanical service life (switching cycles)</b>	
• typical	1 000 000
<b>Electrical endurance (switching cycles) with contactor 3RH11, 3RT1016, 3RT1017, 3RT1024, 3RT1025, 3RT1026 typical</b>	1 000 000
<b>Electrical operating cycles in one hour with contactor 3RH11, 3RT1016, 3RT1017, 3RT1024, 3RT1025, 3RT1026</b>	6 000
<b>Thermal current</b>	10 A
<b>Material of the enclosure of the switch head</b>	plastic
<b>Continuous current of the C characteristic MCB</b>	1 A; for a short-circuit current smaller than 400 A
<b>Continuous current of the quick DIAZED fuse link</b>	10 A; for a short-circuit current smaller than 400 A
<b>Continuous current of the DIAZED fuse link gG</b>	6 A; for a short-circuit current smaller than 400 A
<b>Active principle</b>	mechanical
<b>Repeat accuracy</b>	0.05 mm
<b>Minimum actuating force in activation direction</b>	20 N
<b>Length of the sensor</b>	110 mm
<b>Width of the sensor</b>	40 mm
<b>Design of the switching contact</b>	mechanical
<b>Number of NC contacts for auxiliary contacts</b>	2
<b>Number of NO contacts for auxiliary contacts</b>	1
<b>Number of CO contacts for auxiliary contacts</b>	1
<b>Operating current at DC-13</b>	
• at 24 V rated value	3 A
<b>Design of the interface for safety-related communication</b>	without

#### Enclosure

<b>Design of the housing</b>	block, narrow
<b>Material of the enclosure</b>	plastic
<b>Coating of the enclosure</b>	Other types
<b>Design of the housing acc. to standard</b>	Yes

#### Drive Head

<b>Design of the operating mechanism</b>	without
<b>Design of the switching function</b>	positive opening
<b>Circuit principle</b>	slow-action contacts
<b>Number of switching contacts safety-related</b>	2

#### Connections/Terminals

<b>Type of electrical connection</b>	screw-type terminals
<b>Type of connectable conductor cross-sections</b>	

- |  |   |
|--|---|
| • solid                                    | 1x (0.5 ... 1.5 mm <sup>2</sup> ), 2x (0.5 ... 0.75 mm <sup>2</sup> ) |
| • finely stranded with core end processing | 1x (0.5 ... 1.5 mm <sup>2</sup> ), 2x (0.5 ... 0.75 mm <sup>2</sup> ) |
| • at AWG conductors solid                  | 1x (20 ... 16), 2x (20 ... 18)  |
| • at AWG conductors stranded               | 1x (20 ... 16), 2x (20 ... 18)  |

#### Safety related data

<b>B10 value</b>	
• with high demand rate acc. to SN 31920	1 000 000
<b>Proportion of dangerous failures</b>	
• with high demand rate acc. to SN 31920	20 %
<b>Cable entry type</b>	1x (M20 x 1.5)

#### Communication/ Protocol

<b>Design of the interface</b>	without
--------------------------------	---------

#### Ambient conditions

<b>Ambient temperature</b>	
• during operation	-25 ... +60 °C
• during storage	-40 ... +90 °C
<b>Explosion protection category for dust</b>	none

#### Supply voltage

<b>Type of voltage of the supply voltage</b>	
• of the optional LED indicator	DC
<b>Supply voltage</b>	
• of LED	24 V

#### Installation/ mounting/ dimensions

• (mounting position)	any
• (mounting type)	screw fixing

#### Certificates/approvals

General Product Approval	Functional Safety/Safety of Machinery	Declaration of Conformity
--------------------------	---------------------------------------	---------------------------



CCC



CSA



UL



[Type Examination Certificate](#)



EG-Konf.

Declaration of Conformity	other
---------------------------	-------

[Miscellaneous](#)

[Confirmation](#)

### Further information

**Information- and Downloadcenter (Catalogs, Brochures,...)**

<http://www.siemens.com/industrial-controls/catalogs>

**Industry Mall (Online ordering system)**

<https://mall.industry.siemens.com/mall/en/en/Catalog/product?mlfb=3SE5132-1QV20>

**Cax online generator**

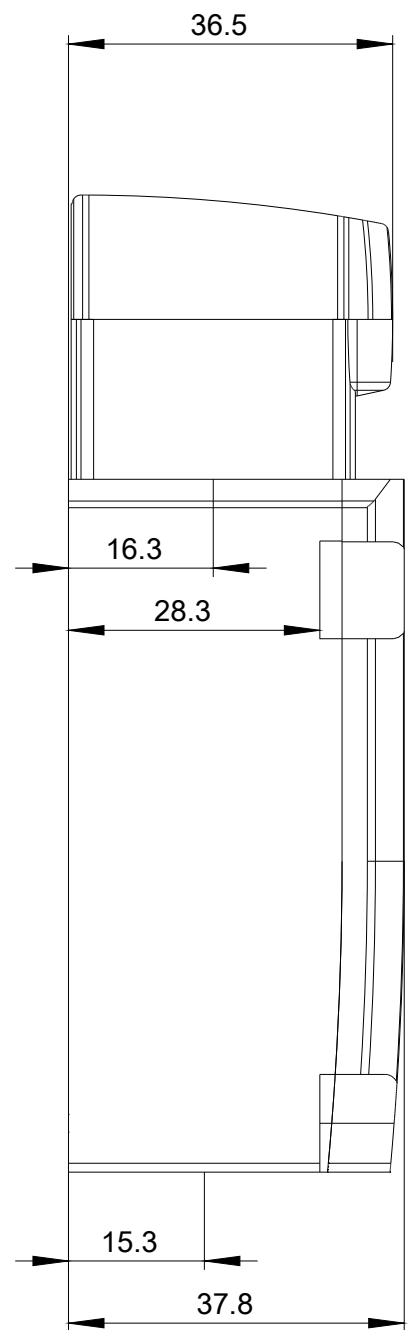
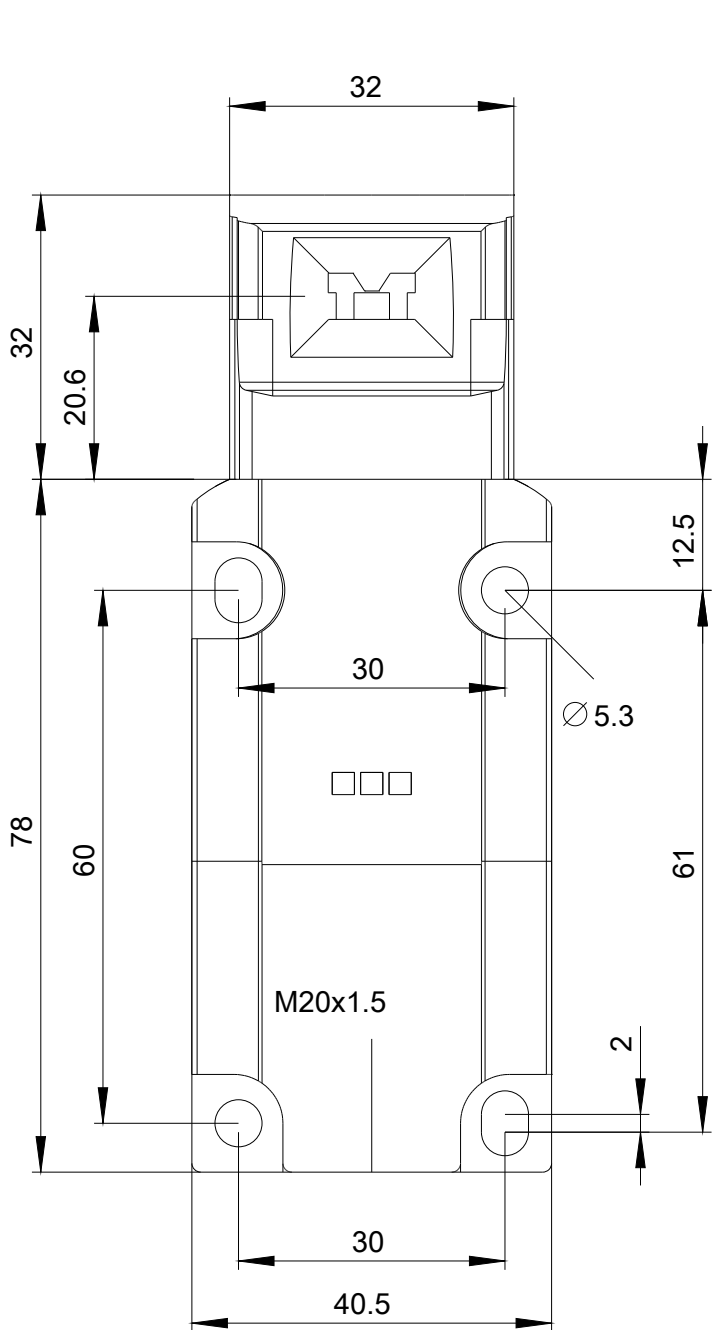
<http://support.automation.siemens.com/WW/CAXorder/default.aspx?lang=en&mlfb=3SE5132-1QV20>

**Service&Support (Manuals, Certificates, Characteristics, FAQs,...)**

<https://support.industry.siemens.com/cs/ww/en/ps/3SE5132-1QV20>

**Image database (product images, 2D dimension drawings, 3D models, device circuit diagrams, EPLAN macros, ...)**

[http://www.automation.siemens.com/bilddb/cax\\_de.aspx?mlfb=3SE5132-1QV20&lang=en](http://www.automation.siemens.com/bilddb/cax_de.aspx?mlfb=3SE5132-1QV20&lang=en)



last modified:

05/01/2019