

EMERGENCY STOP mushroom pushbutton, 22 mm, round, plastic, red, 40 mm, with RONIS lock, lock number SB30, positive latching, acc. to EN ISO 13850, key-operated release



| | |
|--------------------------|-------------------------------------|
| Product brand name | SIRIUS ACT |
| Product designation | EMERGENCY STOP mushroom pushbuttons |
| Design of the product | Actuating/signaling element |
| Product type designation | 3SU1 |

| Enclosure | |
|--------------------------|---|
| Number of command points | 1 |

| Actuator | |
|---|-------------------|
| Design of the operating mechanism | positive latching |
| Manner of function of the actuating element | Latching |
| Product extension optional Light source | No |
| Color | |
| • of the actuating element | Red |
| Material of the actuating element | plastic |
| Shape of the actuating element | round |
| Outer diameter of the actuating element | 40 mm |
| Type of unlocking device | Unlocking |
| Number of switching positions | 2 |
| Switch position for key distraction | O |
| Lock make | RONIS |

| | |
|---|---|
| Key number | SB30 |
| Front ring | |
| Product component front ring | No |
| General technical data | |
| Product function | |
| • positive opening | Yes |
| • EMERGENCY OFF function | Yes |
| • EMERGENCY STOP function | Yes |
| Protection class IP | IP66, IP67, IP69(IP69K) |
| Degree of protection NEMA rating | NEMA 1, 2, 3, 3R, 4, 4X, 12, 13 |
| Shock resistance | |
| • acc. to IEC 60068-2-27 | Sinusoidal half-wave 50 g / 11 ms |
| • for railway applications acc. to DIN EN 61373 | Category 1, Class B |
| Operating frequency maximum | 600 1/h |
| Mechanical service life (switching cycles) | |
| • typical | 300 000 |
| Reference code acc. to DIN EN 81346-2 | S |
| Reference code acc. to DIN EN 61346-2 | S |
| Safety related data | |
| B10 value | |
| • with high demand rate acc. to SN 31920 | 100 000 |
| Proportion of dangerous failures | |
| • with low demand rate acc. to SN 31920 | 20 % |
| • with high demand rate acc. to SN 31920 | 20 % |
| Failure rate [FIT] | |
| • with low demand rate acc. to SN 31920 | 100 FIT |
| T1 value for proof test interval or service life acc. to IEC 61508 | 20 y |
| Ambient conditions | |
| Ambient temperature | |
| • during operation | -25 ... +70 °C |
| • during storage | -40 ... +80 °C |
| Environmental category during operation acc. to IEC 60721 | 3M6, 3S2, 3B2, 3C3, 3K6 (with relative air humidity of 10 ... 95 %) |
| Installation/ mounting/ dimensions | |
| Shape of the installation opening | round |
| (mounting diameter) | 22.3 mm |
| Positive tolerance of installation diameter | 0.4 mm |
| Mounting height | 67.1 mm |
| Installation width | 40 mm |
| Installation depth | 26.3 mm |

Certificates/approvals

General Product Approval



CSA



UL



VDE



EG-Konf.

[Miscellaneous](#)

Test Certificates

[Special Test Certificate](#)

[Type Test Certificates/Test Report](#)



ABS



LRS



PRS



RINA

Marine / Shipping

Marine / Shipping

other

[Confirmation](#)



RMRS



DNV-GL
DNVGL.COM/AF

Further information

Information- and Downloadcenter (Catalogs, Brochures,...)

<http://www.siemens.com/industrial-controls/catalogs>

Industry Mall (Online ordering system)

<https://mall.industry.siemens.com/mall/en/en/Catalog/product?mlfb=3SU1000-1HF20-0AA0>

Cax online generator

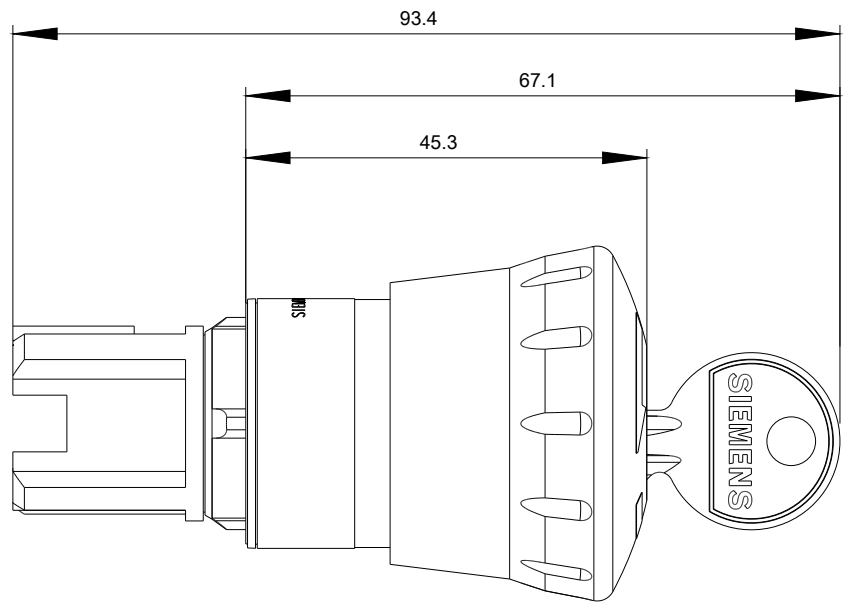
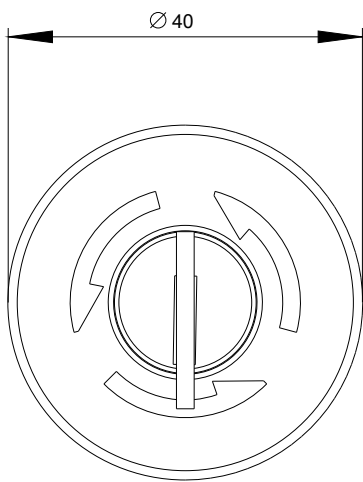
<http://support.automation.siemens.com/WW/CAXorder/default.aspx?lang=en&mlfb=3SU1000-1HF20-0AA0>

Service&Support (Manuals, Certificates, Characteristics, FAQs,...)

<https://support.industry.siemens.com/cs/ww/en/ps/3SU1000-1HF20-0AA0>

Image database (product images, 2D dimension drawings, 3D models, device circuit diagrams, EPLAN macros, ...)

http://www.automation.siemens.com/bilddb/cax_de.aspx?mlfb=3SU1000-1HF20-0AA0&lang=en



last modified:

04/29/2019