

Pin busbar touch-safe, 16 mm² 1-phase+AUX 214 mm long can be cut, with end caps



Figure similar

Model	
Product brand name	SENTRON
Product designation	Pin busbar
Design of the product	16mm ² 1PH+HS L214mm
Busbar design	laminated
General technical data	
Surface processing / tin-plated	No
Main circuit	
Operating current / rated value	80 A
Product details	
Product feature / flexible	Yes
Mechanical Design	
Width	15.5 mm
Length	214 mm
Thickness / of busbar	5 mm
Net weight	40.28 g

Certificates

Declaration of Conformity



Further information

Information- and Downloadcenter (Catalogs, Brochures,...)

<http://www.siemens.com/lowvoltage/catalogs>

Industry Mall (Online ordering system)

<https://mall.industry.siemens.com/mall/en/en/Catalog/product?mlfb=5ST3702>

Service&Support (Manuals, Certificates, Characteristics, FAQs,...)

<https://support.industry.siemens.com/cs/ww/en/ps/5ST3702>

Image database (product images, 2D dimension drawings, 3D models, device circuit diagrams, ...)

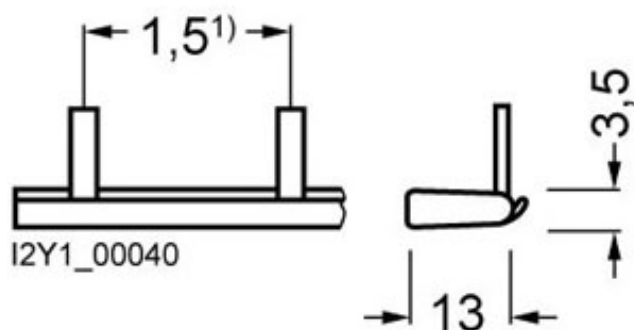
http://www.automation.siemens.com/bilddb/cax_en.aspx?mlfb=5ST3702

CAX-Online-Generator

<http://www.siemens.com/cax>

Tender specifications

<http://www.siemens.com/specifications>



¹⁾ Pin spacings in MW (Modular widths, 1 MW = 18 mm).