

Indicator lights, 22 mm, round, metal, shiny, amber, lens, smooth



| | |
|--------------------------|-----------------------------|
| Product brand name | SIRIUS ACT |
| Product designation | Indicator lights |
| Design of the product | Actuating/signaling element |
| Product type designation | 3SU1 |

Actuator

| | |
|--|----------|
| Color | |
| <ul style="list-style-type: none"> of the actuating element | Amber |
| Material of the actuating element | plastic |
| Shape of the actuating element | round |
| Outer diameter of the actuating element | 29.45 mm |

Front ring

| | |
|------------------------------|----|
| Product component front ring | No |
|------------------------------|----|

General technical data

| | |
|--|-----------------------------------|
| Protection class IP | IP66, IP67, IP69(IP69K) |
| Degree of protection NEMA rating | NEMA 1, 2, 3, 3R, 4, 4X, 12, 13 |
| Shock resistance | |
| <ul style="list-style-type: none"> acc. to IEC 60068-2-27 | Sinusoidal half-wave 50 g / 11 ms |
| Reference code acc. to DIN EN 81346-2 | P |

| | |
|---------------------------------------|---|
| Reference code acc. to DIN EN 61346-2 | P |
|---------------------------------------|---|

Connections/Terminals

| | |
|--|---------------|
| Tightening torque of the screws in the bracket | 1 ... 1.2 N·m |
|--|---------------|





Ambient conditions

| | |
|--|---|
| Ambient temperature | |
| <ul style="list-style-type: none"> during operation during storage | <p>-25 ... +70 °C</p> <p>-40 ... +80 °C</p> |
| Environmental category during operation acc. to IEC 60721 | 3M6, 3S2, 3B2, 3C3, 3K6 (with relative air humidity of 10 ... 95 %) |

Installation/ mounting/ dimensions

| | |
|---|---------|
| Height | 29.5 mm |
| Width | 29.5 mm |
| Shape of the installation opening | round |
| Mounting diameter | 22.3 mm |
| Positive tolerance of installation diameter | 0.4 mm |
| Mounting height | 11.8 mm |
| Installation width | 29.5 mm |
| Installation depth | 24.4 mm |

Certificates/approvals

| General Product Approval | Declaration of Conformity | Test Certificates |
|---|--|--|
|  CSA  UL  EAC  EG-Konf. | Special Test Certificate | Type Test Certificates/Test Report |

Marine / Shipping

| | | | | | |
|---|---|---|--|--|--|
|  ABS |  LRS |  PRS |  RINA |  RMRS |  DNV-GL DNVGL.COM/AF |
|---|---|---|--|--|--|

other

| |
|------------------------------|
| Confirmation |
|------------------------------|

Further information

Information- and Downloadcenter (Catalogs, Brochures,...)
<http://www.siemens.com/industrial-controls/catalogs>

Industry Mall (Online ordering system)

<https://mall.industry.siemens.com/mall/en/en/Catalog/product?mlfb=3SU1051-6AA00-0AA0>

Cax online generator

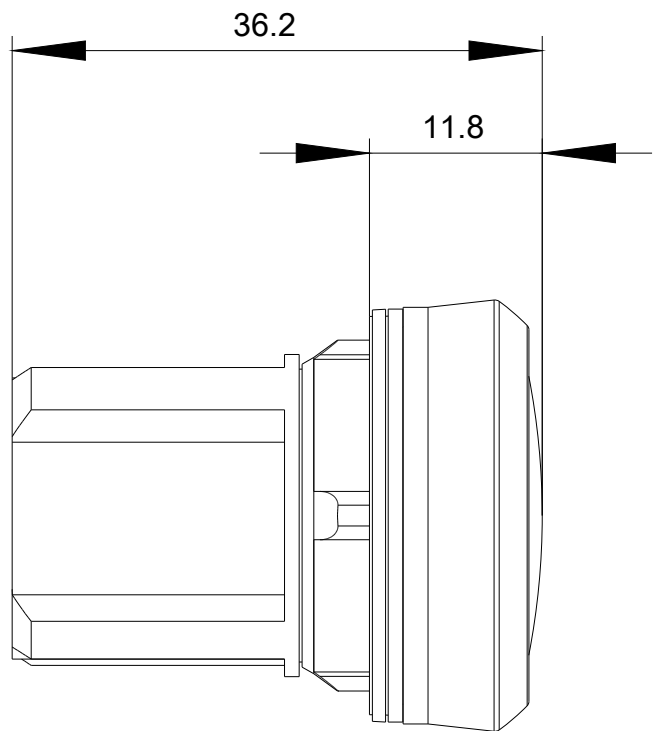
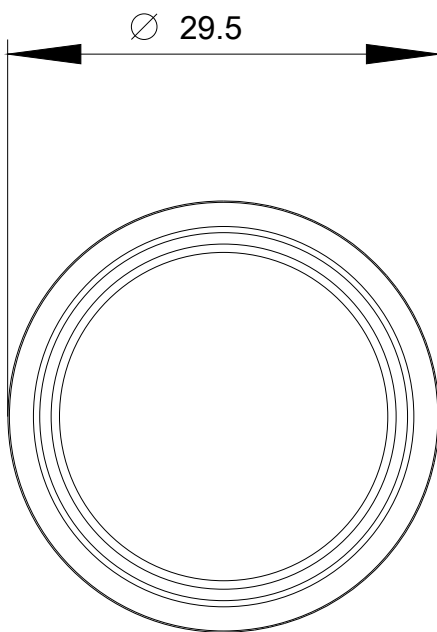
<http://support.automation.siemens.com/WW/CAXorder/default.aspx?lang=en&mlfb=3SU1051-6AA00-0AA0>

Service&Support (Manuals, Certificates, Characteristics, FAQs,...)

<https://support.industry.siemens.com/cs/ww/en/ps/3SU1051-6AA00-0AA0>

Image database (product images, 2D dimension drawings, 3D models, device circuit diagrams, EPLAN macros, ...)

http://www.automation.siemens.com/bilddb/cax_de.aspx?mlfb=3SU1051-6AA00-0AA0&lang=en



last modified:

01/20/2019