

Twist lever operating mechanism Functional at -40 °C For position switch 3SE51 For 40/56/56XL mm, Switching points according to EN 50041. The switching direction of the levers can be set to left/right or only left or only right. Delivery condition is left/right. (Please order lever separately)



<b>Product brand name</b>	SIRIUS
<b>Product designation</b>	Part-turn actuator for position switch 3SE51/3SF11
<b>Product type designation</b>	3SE5

**General technical data**

<b>Shock resistance</b>	
<ul style="list-style-type: none"> <li>• acc. to IEC 60068-2-27</li> <li>• for railway applications acc. to DIN EN 61373</li> </ul>	30 g / 11 ms Category 1, Class B
<b>Vibration resistance</b>	
<ul style="list-style-type: none"> <li>• acc. to IEC 60068-2-6</li> <li>• for railway applications acc. to DIN EN 61373</li> </ul>	0.35 mm/5g Category 1, Class B
<b>Material of the enclosure of the switch head</b>	plastic
<b>Active principle</b>	mechanical
<b>Minimum actuating torque in activation direction</b>	0.25 N·m
Design of the interface for safety-related communication	without

**Enclosure**

<b>Coating of the enclosure</b>	Other types
---------------------------------	-------------

**Drive Head**

Design of the operating mechanism	Twist actuator, without lever or rod
Standard-compliant actuator head	EN 50041

### Communication/ Protocol

Design of the interface	without
-------------------------	---------




### Ambient conditions

<b>Ambient temperature</b>	
• during operation	-40 ... +85 °C
• during storage	-40 ... +90 °C
<b>Explosion protection category for dust</b>	none

### Installation/ mounting/ dimensions

<b>Mounting position</b>	any
<b>Mounting type</b>	lockable plug-in fixing

### Certificates/approvals

General Product Approval	Test Certificates	other
  	<a href="#">Type Test Certificates/Test Report</a>	<a href="#">Confirmation</a>

### Further information

**Information- and Downloadcenter (Catalogs, Brochures,...)**

<http://www.siemens.com/industrial-controls/catalogs>

**Industry Mall (Online ordering system)**

<https://mall.industry.siemens.com/mall/en/en/Catalog/product?mlfb=3SE5000-0AH00-1AJ0>

**Cax online generator**

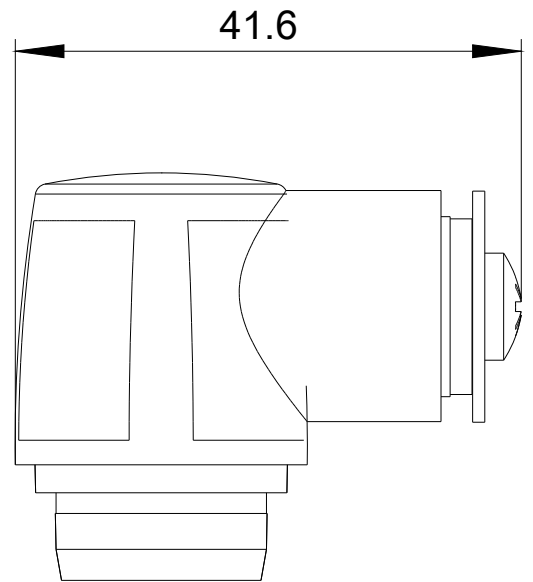
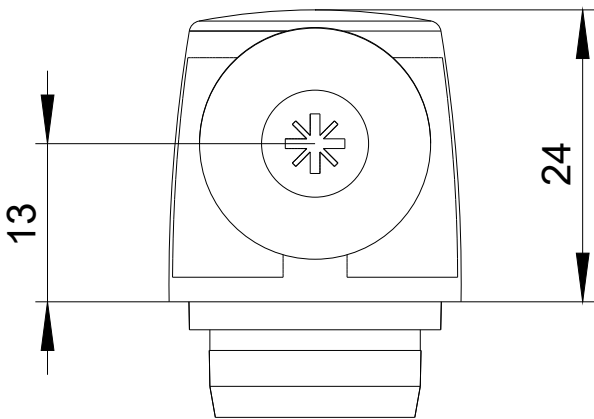
<http://support.automation.siemens.com/WW/CAXorder/default.aspx?lang=en&mlfb=3SE5000-0AH00-1AJ0>

**Service&Support (Manuals, Certificates, Characteristics, FAQs,...)**

<https://support.industry.siemens.com/cs/ww/en/ps/3SE5000-0AH00-1AJ0>

**Image database (product images, 2D dimension drawings, 3D models, device circuit diagrams, EPLAN macros, ...)**

[http://www.automation.siemens.com/bilddb/cax\\_de.aspx?mlfb=3SE5000-0AH00-1AJ0&lang=en](http://www.automation.siemens.com/bilddb/cax_de.aspx?mlfb=3SE5000-0AH00-1AJ0&lang=en)



last modified:

11/17/2018